

triton 1100W Thicknesser 317mm

TPT125

EN Operating & Safety Instructions

- | | |
|---------------------------------------------------------------|-----------------------------------------------|
| NL Bedienings- en veiligheidsvoorschriften | ES Instrucciones de uso y de seguridad |
| FR Instructions d'utilisation et consignes de sécurité | PT Instruções de Operação e Segurança |
| DE Sicherheits- und Bedienungsanleitung | PL Instrukcja obsługi i bezpieczeństwa |
| IT Istruzioni per l'uso e la sicurezza | CZ Provozní a bezpečnostní pokyny |

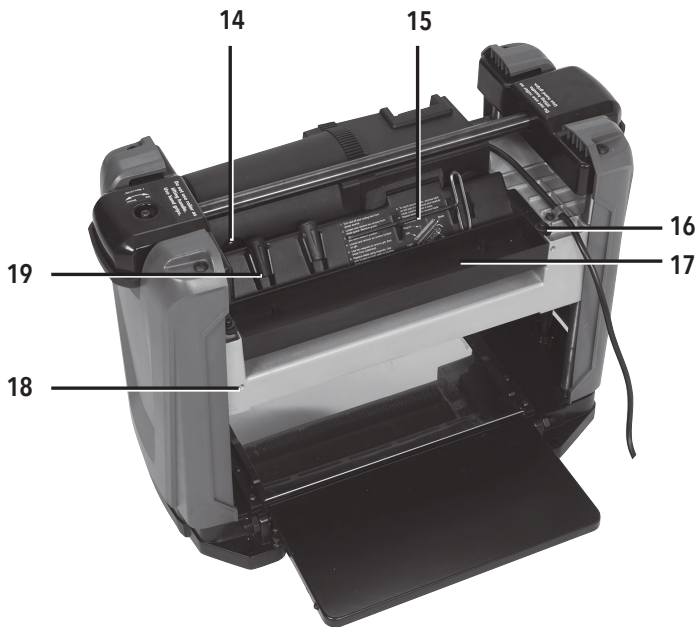
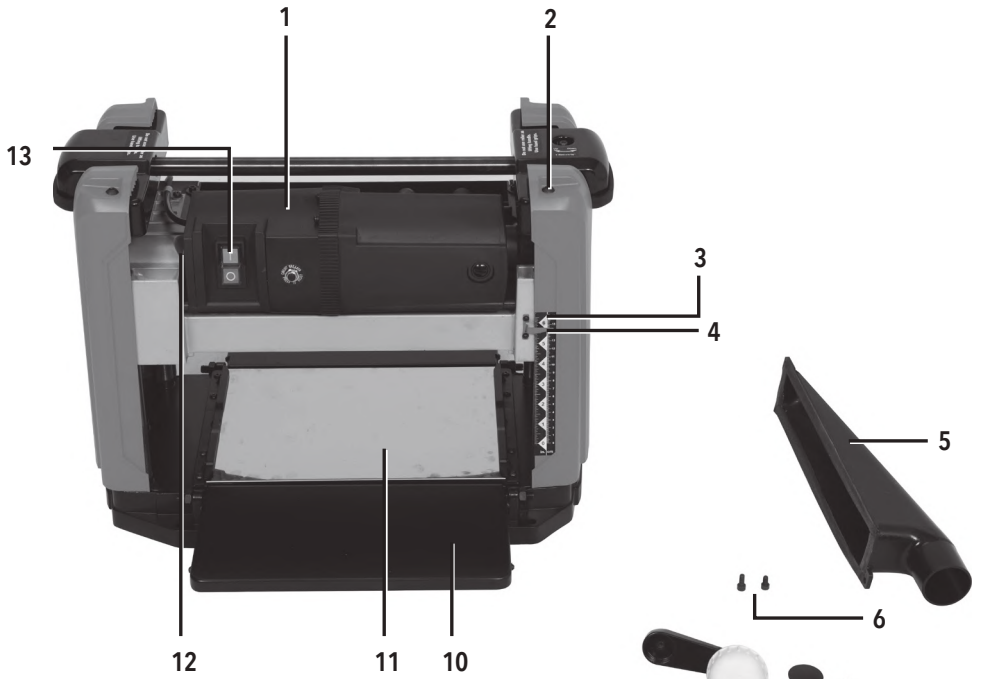


Version Date: 07.12.2023

Designed in Europe 

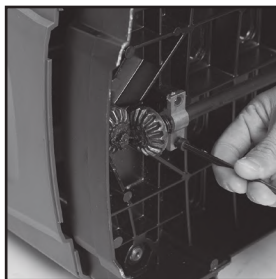
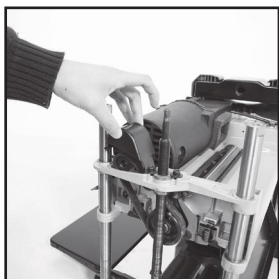
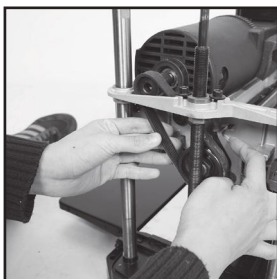
tritonetools.com





A



B**C****D****E****F****G****H****I****J****K****L****M**

12

13

Original Instructions

Introduction

Thank you for purchasing this Triton tool. This manual contains information necessary for safe and effective operation of this product. This product has unique features and, even if you are familiar with similar products, it is necessary to read this manual carefully to ensure you fully understand the instruction. Ensure all users of the tool read and fully understand this manual.

Description of Symbols

The rating plate on your tool may show symbols. These represent important information about the product or instructions.



Wear hearing protection
Wear eye protection
Wear breathing protection
Wear head protection



Wear hand protection



WARNING: To reduce the risk of injury, user must read instruction manual



Wear protective clothing



Class I construction (protective earth)



DO NOT use in rain or damp environments!



WARNING: Moving parts can cause crush and cut injuries



Be aware of kickback!



For indoors use only!



Environmental Protection

Waste electrical products should not be disposed of with household waste. Please recycle where facilities exist. Check with your local authority or retailer for recycling advice.



WARNING: LIFTING HAZARD

Single Person Lift could cause injury
Use assistance when moving or lifting
WARNING: This product is heavy and as a precaution it is advised that two people assemble the machine.



Conforms to relevant legislation and safety standards

Technical Abbreviations Key

V	Volts
~	Alternating current
A, mA	Ampere, milli-Amp
n_0	No load speed
∅	Diameter
°	Degrees
Hz	Hertz
W, kW	Watt, kilowatt
min ⁻¹	Operations per minute
cpm	Cuts per minute
dB(A)	Decibel sound level (A weighted)
m/s ²	Metres per second squared (vibration magnitude)

Specification

Model number:	TPT125
Input voltage:	220-240V~, 50/60Hz
Power:	1100W
Cuts per min:	17,500cpm
No load speed:	8750min ⁻¹
Planing height:	3.2 - 152mm
Planing width:	317mm
Minimum planing length:	380mm
Table size:	317 x 597mm
Dust Port Dimension:	Inner: 48mm Outer: 53mm
Protection class:	
Ingress protection:	IP20
Weight:	22.2kg
As part of our ongoing product development, specifications of Triton products may alter without notice.	

Sound and vibration information:	
Sound pressure L_{pA} :	90.9dB(A)
Sound power L_{WA} :	103.9dB(A)
Uncertainty K	3dB(A)
The sound intensity level for the operator may exceed 85dB(A) and sound protection measures are necessary.	

⚠ WARNING: Always wear ear protection where the sound level exceeds 85dB(A) and limit the time of exposure if necessary. If sound levels are uncomfortable, even with ear protection, stop using the tool immediately and check the ear protection is correctly fitted and provides the correct level of sound attenuation for the level of sound produced by your tool.

⚠ WARNING: User exposure to tool vibration can result in loss of sense of touch, numbness, tingling and reduced ability to grip. Long term exposure can lead to a chronic condition. If necessary, limit the length of time exposed to vibration and use anti-vibration gloves. Do not operate the tool with hands below a normal comfortable temperature, as vibration will have a greater effect. Use the figures provided in the specification relating to vibration to calculate the duration and frequency of operating the tool.

⚠ WARNING: The vibration emission during actual use of the power tool can differ from the declared total value depending on the ways in which the tool is used. There is the need to identify safety measures to protect the operator that are based on an estimation of exposure in the actual conditions of use (taking account of all parts of the operating cycle such as the times when the tool is switched off and when it is running idle in addition to the trigger time).

The declared vibration total value has been measured in accordance with a standard test method and may be used for comparing one tool with another. The declared vibration total value may also be used in a preliminary assessment of exposure.

Sound levels in the specification are determined according to international standards.

The figures represent normal use for the tool in normal working conditions. A poorly maintained, incorrectly assembled, or misused tool may produce increased levels of noise and vibration. www.osha.europa.eu provides information on sound and vibration levels in the workplace that may be useful to domestic users who use tools for long periods of time.

General Safety

⚠ WARNING: When using electric power tools, basic safety precautions should always be followed to reduce the risk of fire, electric shock and personal injury including the following safety information. Read all these instructions before attempting to operate this product and save these instructions for future use.

⚠ WARNING: This appliance is not intended for use by persons (including children) with reduced physical or mental capabilities or lack of experience or knowledge unless they have been given supervision or instruction concerning use of the appliance by a person responsible for their safety. Children must be supervised to ensure that they do not play with the appliance.

CAUTION: Use the power tool, accessories and tool bits etc. in accordance with these instructions, taking into account the working conditions and the work to be performed. Use of the power tool for operations different from those intended could result in a hazardous situation.

The term "power tool" in the warnings refers to your mains-operated (corded) power tool or battery-operated (cordless) power tool.

- 1 Keep work area clear** - Cluttered areas and benches invite injuries
- 2 Consider work area environment**
 - Do not expose tools to rain
 - Do not use tools in damp or wet locations
 - Keep work area well lit
 - Do not use tools in the presence of flammable liquids or gases
- 3 Guard against electric shock** - Avoid body contact with earthed or grounded surfaces (e.g. pipes, radiators, ranges, refrigerators)
- 4 Keep other persons away** - Do not let persons, especially children, not involved in the work touch the tool or the extension cord and keep them away from the work area
- 5 Store idle tools** - When not in use, tools should be stored in a dry locked-up place, out of reach of children
- 6 Do not force the tool** - It will perform the job better and safer at the rate for which it was intended
- 7 Use the right tool** - Do not force small tools to do the job of a heavy duty tool

Do not use tools for purposes not intended; for example do not use circular saws to cut tree limbs or logs

- 8 Dress appropriately**
 - Do not wear loose clothing or jewellery, which can be caught in moving parts
 - Suitable safety footwear is recommended when working outdoors
 - Wear protective covering to contain long hair
- 9 Use protective equipment**
 - Use safety glasses
 - Use face or dust mask if working operations create dust

⚠ WARNING: Not using protective equipment or appropriate clothing can cause personal injury or increase the severity of an injury.

- 10 Connect dust extraction equipment** - If the tool is provided for the connection of dust extraction and collecting equipment, ensure these are connected and properly used
- 11 Do not abuse the power cable** - Never yank the power cable to disconnect it from the socket. Keep the power cable away from heat, oil and sharp edges. Damaged or entangled power cables increase the risk of electric shock
- 12 Secure work** - Where possible use clamps or a vice to hold the work. It is safer than using your hand
- 13 Do not overreach** - Keep proper footing and balance at all times

14 Maintain tools with care

- Keeping cutting tools sharp and clean makes the tool easier to control and less likely to bind or lock in the workpiece
- Follow instructions for lubricating and changing accessories
- Inspect tool power cables periodically and if damaged have them repaired by an authorized service facility
- Inspect extension cables periodically and replace if damaged
- Keep handles dry, clean and free from oil and grease

⚠ WARNING: Many accidents are caused by poorly maintained power tools.

15 Disconnect tools - When not in use, before servicing and when changing accessories such as blades, bits and cutters, disconnect tools from the power supply

⚠ WARNING: The use of accessories or attachments not recommended by the manufacturer may result in a risk of injury to persons.

16 Remove adjusting keys and wrenches - Form the habit of checking to see that keys and adjusting wrenches are removed from the tool before switching it 'ON'

17 Avoid unintentional starting - Ensure switch is in 'O' position when connecting to a mains socket or inserting a battery pack, or when picking up or carrying the tool

⚠ WARNING: Unintended starting of a tool can cause major injuries.

18 Use outdoor extension leads - When the tool is used outdoors, use only extension cords intended for outdoor use and so marked. Use of an extension cable suitable for outdoor use reduces the risk of electric shock

19 Stay alert

- Watch what you are doing, use common sense and do not operate the tool when you are tired
- Do not use a power tool while you are under the influence of drugs, alcohol or medication

⚠ WARNING: A moment of inattention while operating power tools may result in serious personal injury.

20 Check damaged parts

- Before further use of tool, it should be carefully checked to determine that it will operate properly and perform its intended function
- Check for alignment of moving parts, binding of moving parts, breakage of parts, mounting and any other conditions that may affect its operation
- A guard or other part that is damaged should be properly repaired or replaced by an authorized service centre unless otherwise indicated in this instruction manual
- Have defective switches replaced by an authorized service centre

⚠ WARNING: Do not use the tool if the ON/OFF switch does not turn it 'ON' and 'OFF'. The switch must be repaired before the tool is used.

21 Use recommended accessories - Consult the owner's manual for recommended accessories

⚠ WARNING: The use of any accessory or attachment other than one recommended in this instruction manual may present a risk of personal injury.

22 Have your tool repaired by a qualified person - This electric tool complies with the relevant safety rules. Repairs should only be carried out by qualified persons, otherwise this may result in considerable danger to the user

⚠ WARNING: When servicing use only identical replacement parts.

⚠ WARNING: If the power cable is damaged it must be replaced by the manufacturer or an authorised service centre.

23 Power tool mains plugs must match the mains socket -

Never modify the plug in any way. Do not use any adapter plugs with earthed (grounded) power tools. Unmodified plugs and matching sockets will reduce risk of electric shock

24 If operating a power tool outside use a residual current device (RCD) - Use of an RCD reduces the risk of electric shock

25 When used in the United States, Australia or New Zealand, it is recommended that this tool is ALWAYS supplied via Residual Current Device (RCD) with a rated residual current of 30mA or less

26 Use proper extension cord. Make sure your extension cord is in good condition. When using an extension cord, be sure to use one heavy enough to carry the current your product will draw. An undersized cord will cause a drop in line voltage resulting in loss of power and overheating. Table A shows the correct size to use depending on cord length and nameplate ampere rating. If in doubt, use the next heavier gauge. The smaller the gauge number, the heavier the cord

27 Never leave the tool running unattended. Turn power off. Don't leave the tool until it comes to a complete stop

Even when used as prescribed it is not possible to eliminate all residual risk factors. Use with caution. If you are at all unsure of the correct and safe manner in which to use this tool, do not attempt to use it.

⚠ WARNING: Before connecting a tool to a power source (mains switch power point receptacle, outlet, etc.) be sure that the voltage supply is the same as that specified on the nameplate of the tool. A power source with a voltage greater than that specified for the tool can result in serious injury to the user, and damage to the tool. If in doubt, do not plug in the tool. Using a power source with a voltage less than the nameplate rating is harmful to the motor.

Table A						
Ampere Rating		Volts	Total length of cord in metres			
		120	7.5	15	30.5	46
		240	15	30.5	61	92
More than	Not more than		Minimum gauge for cord			
0	6		18	16	16	14
6	10		18	16	14	12
10	12		16	16	14	12
12	16		14	12	Not recommended	

Cutting Tool Safety

⚠ WARNING: Before connecting a tool to a power source (mains switch power point receptacle, outlet, etc.) be sure that the voltage supply is the same as that specified on the nameplate of the tool. A power source with a voltage greater than that specified for the tool can result in serious injury to the user, and damage to the tool. If in doubt, do not plug in the tool. Using a power source with a voltage less than the nameplate rating is harmful to the motor.

Use the correct cutting tool

- Ensure the cutting tool is suitable for the job. Do not assume a tool is suitable without checking the product literature before use

Protect your eyes

- Always wear appropriate eye protection when using cutting tools
- Spectacles are not designed to offer any protection when using this product; normal lenses are not impact resistant and could shatter

Protect your hearing

- Always wear suitable hearing protection when tool noise exceeds 85dB

Protect your breathing

- Ensure that yourself, and others around you, wear suitable dust masks

Protect your hands

- Do not allow hands to get close to the cutting wheel or blades. Use a suitable push stick for shorter workpieces with appropriate power tools

Be aware of others around you

- It is the responsibility of the user to ensure that other people in the vicinity of the work area are not exposed to dangerous noise or dust and are also provided with suitable protective equipment

Hidden objects

- Inspect the workpiece and remove all nails and other embedded objects before cutting
- Do not attempt to cut material that contains embedded objects unless you know that the cutting tool fitted to your machine is suitable for the job
- Walls may conceal wiring and piping, car body panels may conceal fuel lines, and long grass may conceal stones and glass. Always check the work area thoroughly before proceeding

Beware of projected waste

- In some situations, waste material may be projected at speed from the cutting tool. It is the user's responsibility to ensure that other people in the work area are protected from the possibility of projected waste

Fitting cutting tools

- Ensure cutting tools are correctly and securely fitted and check that wrenches / adjusters are removed prior to use
- Only use cutting tools recommended for your machine
- Do not attempt to modify cutting tools
- Ensure blades are sharp, in good condition and correctly fitted
- Do not attempt to re-sharpen blades. Hardened blades or blades made from hardened alloys typically containing tungsten cannot be re-sharpened without professional equipment
- Only fit blades specifically designed and intended for this tool
- In the event blades encounter an embedded object in use that the blades are not suitable for, blades should be replaced immediately

Direction of feed

- Always feed work into the blade or cutter against the direction of movement of the blade or cutter

Beware of heat

- Cutting tools and workpieces may become hot in use. Do not attempt to change tools until they have been allowed to cool completely

Control dust / swarf

- Do not allow dust or swarf to build up. Sawdust is a fire hazard, and some metal swarf is explosive
- Be especially careful when cutting wood and metal. Sparks from metal cutting are a common cause of wood dust fires
- Where possible, use a dust extraction system to ensure a safer working environment

Thicknesser Safety

⚠ WARNING: Never use the tool without the appropriate guard in place or correctly adjusted.

⚠ WARNING: Any portion of the cutter block not being used for planing shall be guarded.

⚠ WARNING: When planing narrow workpieces, additional measures such as the use of horizontal pressure devices, may be necessary to ensure safe working.

⚠ WARNING: Planing tools should not be used to cut rebate, recess, tenon or mould.

- **Use appropriate respiratory protection.** *Use of this tool can generate dust containing chemicals known to cause cancer, birth defects or other reproductive harm. Some wood contains preservatives such as copper chromium arsenate (CCA) which can be toxic. When sanding, drilling, or cutting these materials extra care should be taken to avoid inhalation and minimise skin contact.*
- **Use only sharp blades.** *Handle the blades very carefully with cut-proof gloves.*

⚠ WARNING: Do not use knives that are blunt as this increases the danger of kickback.

- **Ensure all cloth, cord, rags, string and similar items are removed from the work area.** *To prevent entanglement in the planer mechanism.*
- **Allow the tool to reach full speed before making contact with the workpiece and starting cutting.**
- **ALWAYS switch 'OFF'; and allow the blades to come to a complete standstill before attempting any adjustments, cleaning or carrying out maintenance.**
- **Replace all blades at the same time,** *otherwise the resulting imbalance will cause vibration and shorten the service life of planer and blades.*
- **Do not attempt to perform cutting operations that are not recommended by the manufacturer.** *Stopped cuts, recesses, tenons, moulds or planing of severely bowed wood is not permitted with this tool.*
- **Do not use the thicknesser if it has not been fixed to a secure work surface.** *Without sufficient fixing the thicknesser may move abruptly during operation, potentially causing severe injury to the operator.*
- **Always keep the push stick next to the infeed table during planing operations.** *When planing short work pieces, the push stick should be used. Use the push stick to feed the workpiece when in close proximity to the blade and when the workpiece is less than 75mm thick.*
- **Do not attempt planing of badly bowed material if there is inadequate contact with the infeed table.**
- **Do not perform planing operations on material shorter than a dimension equal to the cutter head length plus 50mm, narrower than 19mm, or wider than the cutter capacity in inches or thinner than 13mm.**
- **Maintain the proper relationships of infeed and outfeed table surfaces and cutter head knife path.**
- **Support the work piece adequately at all times during operation; maintain control of the work at all times.**
- **Do not back the work toward the infeed table.**
- **Do not attempt to perform an abnormal or little-used operation without study, or without the use of adequate hold-down/push blocks, jigs, fixtures, stops, etc.**
- **When transporting the tool ensure its transport handles are used (not operating handle) and that all the locking mechanisms and guards are securely in place.**

Kickback Prevention

Note: Kickback occurs when the blade stalls rapidly, as a result of being pinched, bound or misaligned, and drives the workpiece back towards the operator. It can also pull the operator's hand into the blade, resulting in serious injury.

⚠ WARNING: Kickback is the result of tool misuse and/or incorrect operating procedures or conditions, however, if precautions are taken, kickback forces can be controlled by the operator or avoided altogether:

- NEVER attempt to cut with a dull or warped blade.** *ALWAYS ensure the blade is suitable for the material to be cut.*
- ALWAYS ensure the fence/table is parallel to the blade.** *If the fence/table tilts inward towards the blade, the workpiece can come into contact with the back edge of the blade.*
- Use CAUTION when cutting large workpieces.** *Ensure larger stock is properly supported by adequate in-feed and out-feed supports.*
- DO NOT cut round stock or workpieces that cannot lay flat on the table.** *Avoid cutting twisted, distorted or knotty wood.*
- DO NOT cut wet wood, as it produces higher friction against the blade.** *Wet sawdust can accumulate on the blade, further increasing the likelihood of kickback.*
- ALWAYS maintain a firm grip with both hands on the workpiece and position your arms to resist kickback forces.**
- Stay out of blade path and position your body to either side of the blade, but not in line with the blade.**
- DO NOT back out of the cut.** *If you have to interrupt a cut before it is complete, switch the tool 'OFF', and remove the workpiece from the tool, once the blade has stopped spinning.*
- ALWAYS use push sticks where appropriate, to guide the workpiece through the blade.** *Use feather boards to hold down the workpiece wherever possible.*

Product Familiarisation

- Rollercase
- Side Panel Retaining Screws
- Elevation Scale
- Scale Pointer
- Dust Chute
- Dust Chute Hex Screws
- Crank Handle Retaining Bolt
- Crank Handle Fixing Cap
- Crank Handle
- Infeed Table
- Centre Table
- Circuit Breaker Reset Button
- ON/OFF Switch
- Brush Access Cap
- Hex Key
- Blade Cover Panel Hex Screws

17. Blade Cover Panel
18. Dust Chute Fixing Positions
19. Magnets

Intended Use

Worktop-mounted, mains-powered thicknesser for heavy duty planing tasks on sheets of hard and softwood timber greater than 380mm in length. Capable of preparing uneven stock and producing squared wood for making joints and planing to thickness to create uniform flat boards for various projects.

Unpacking Your Tool

- Carefully unpack and inspect your tool. Fully familiarise yourself with all its features and functions
- Ensure that all parts of the tool are present and in good condition. If any parts are missing or damaged, have such parts replaced before attempting to use this tool

Before Use

⚠ WARNING: ALWAYS disconnect from the power supply before carrying out any adjustments, inspection, maintenance or cleaning.

⚠ WARNING: ALWAYS wear suitable cut-proof gloves when handling the Rollerbase (1) and its sub-components.

Bench mounting

- Set up the unit on a firm, flat surface so the table is horizontal and the unit cannot tip over
- If the thicknesser is to be used in a permanent position, it is recommended that it is secured to a rigid work surface, as follows:
 1. Use the holes in the base of the thicknesser (Image A) as a template to mark and drill four holes in your intended mounting surface (i.e. workbench). Secure the unit in position using large bolts, washers and nuts (not supplied)
 2. If the thicknesser is intended to be more portable, fix a board to the base which can be easily clamped and removed from various mounting surfaces
 3. If using bolts, make sure they are long enough to penetrate the workbench or board sufficiently for a secure fix

Crank handle installation

Mount the Crank Handle (9) in position (see main image) on the right-hand side of the thicknesser:

1. Thread the spring washer onto the Crank Handle Retaining Bolt (7)
2. Fit the Crank Handle onto the elevation screw (Image B)
3. Use the Crank Handle Retaining Bolt to secure the Crank Handle in position. Use the Hex Key (15) to tighten the bolt
4. Insert the Crank Handle Fixing Cap (8) to conceal the fixing

Attach the Dust Chute

- The Dust Chute (5) can be mounted for extraction of waste at either end of the thicknesser
1. Use the 2 x Dust Chute Hex Screws (6) to mount the dust chute onto the Rollerbase (1) using the Dust Chute Fixing Positions (18)(Image C)

2. Having fixed the Dust Chute in position, connect the extraction system hose
3. Turn the extraction system on before operating the thicknesser

Checking the Rollerbase is level

- The Rollerbase (1) is aligned and checked in the factory. However, it can become out of alignment during shipping and handling
- If the Rollerbase is not level with the Centre Table (11), this will result in a tapered cut where the thickness on one side of the workpiece is different from the other. It can also cause uneven wear of the blade
- Check the blades are aligned correctly with a test run: run two pieces through each side (left and right) of the thicknesser
- Measure and compare results to check the blades are correctly aligned and/or to determine the amount of correction required
- If the blades need to be re-aligned, see 'Maintenance - Re-aligning the Rollerbase' for guidance

Operation

⚠ WARNING: ALWAYS disconnect from the power supply before carrying out any adjustments, inspection, maintenance or cleaning.

⚠ WARNING: ALWAYS wear suitable cut-proof gloves when handling the Rollerbase (1) and its sub-components.

Important guidance for the safe use of this tool

- Disconnect the machine from power source whenever adjusting or replacing any parts
- Ensure the ON/OFF Switch is in the 'OFF' position before connecting the tool to mains power
- Keep limbs away from all moving parts
- Wear eye protection and a face mask when using this tool
- Make sure all mobile parts move freely and are free from interference
- Keep blades sharp, aligned and properly secured to the cutter head
- Never turn the machine on with the workpiece in contact with the blades
- Whenever the thicknesser is not in use, switch 'OFF' and disconnect from power
- Keep the thicknesser in good order. Follow the maintenance instructions (see 'Maintenance')
- Never use the thicknesser to make partial cuts - allow it to cut the full length of the workpiece
- Do not use the thicknesser to cut recesses, tenons or moulds

Workpiece capacity

- The workpiece must comply with the following minimum and maximum dimensions:
 - I. Min thickness: 3.2mm
 - II. Min length: 380mm
 - III. Min width: 19mm
 - IV. Max width: 317mm
- Do not use weak, dry or damaged, heavily knotted wood that could break up in the planing mechanism damaging the mechanism and motor and causing kickback

- Ensure all wood is free of embedded objects including screws, nails and staples. Embedded objects can cause major damage to the tool and are a safety risk if ejected as well as a cause of kickback
- Do not plane badly bowed/warped wood where there is inadequate contact with the infeed table
- This thicknesser is designed for natural wood material only
- Remove glue and any foreign objects from the workpiece before planing
- Use the entire width of the cutter head to avoid uneven wear of blades

Roller case height adjustment

- The Roller case (1) contains the motor, cutting head with blades, and the infeed and outfeed rollers
- Rotate the Crank Handle (9) to raise or lower the Roller case. One complete turn of the Crank Handle raises or lowers the Roller case 1.58mm
- The Scale Pointer (4) and Elevation Scale (3) provide a reading, in metric and imperial graduations, of the height of the cutter head above the Centre Table (11) – and therefore the approximate thickness of the workpiece after planing
- The elevation scale is calibrated at the factory. For precision woodworking, it is recommended that you check the dimension with callipers or a digital thickness gauge before and after each cutting pass

Setting the depth of cut

- To protect the motor and cutter head, the recommended maximum depth of cut for a single pass is as follows:

Max Depth of Cut	
Width of workpiece	Max depth of cut
Up to 125mm	2.38mm
From 125mm up to 317mm	1.6mm

To set the depth of cut:

1. Measure the current thickness of the workpiece, and compare with required thickness
2. Refer to the 'Max Depth of Cut' table above to determine whether one or more passes are required
3. If just one pass is required:
 - Use the Crank Handle to move the Roller case up or down until the Scale Pointer (4) indicates, on the Elevation Scale (3), the finished thickness of workpiece required
4. If more than one pass will be required:
 - a) It is recommended that you divide the total required into passes of approximately equal depth
 - b) For the first and any intermediate cuts, set the height of the Roller case at current workpiece thickness minus depth calculated in step (a) above
 - c) Check measurements after each cut with callipers or a digital thickness gauge

Switching 'ON' & 'OFF'

- The ON/OFF Switch (13) is located on the front of the thicknesser
- To turn the thicknesser 'ON', press the green ON (I) button
- To turn the thicknesser 'OFF', push the red OFF (O) button

Circuit breaker

- A circuit breaker is installed to the left side of the ON/OFF Switch (13) (Image M)
- If excessive electric current is detected, the circuit breaker will shut off the power supply to protect the motor
- Before resetting the circuit breaker check the motor, switch, and power connection for short circuit or faulty components
- To reset the circuit breaker:
 - Press the red (O) button so that the machine is turned off
 - Press the Circuit Breaker Reset Button (12)

Thicknesser operation

⚠ WARNING: Always use adequate protective equipment, including eye protection, respiratory and hearing protection, when working with this tool.

- For best results, determine desired depth of cut and final thickness of workpiece before planing. Since there is a limit to maximum depth of cut, several passes may be required to achieve final thickness
 - In general, thin cuts produce a better outcome in terms of smoothness of finished surface, even thickness, less kickback, less snipe, and less wear on the cutter head and motor
 - To prevent kickback, never make cuts deeper than 2.4mm in one pass
 - If more than one pass is necessary, the Roller case (1) must be lowered manually before each pass
 - Always set a thin depth of cut for hardwood, wide workpieces and workpieces with an uneven surface
 - Avoid wood stock with many or large knots, or with excessive twisting, cupping, or bowing
 - If necessary, process one side with a jointer or surface planer first to obtain at least one flat surface before using the thicknesser
 - Plane both sides of the workpiece, removing half the total depth from each side. This will produce two smooth surfaces with equal moisture content and therefore a board less likely to warp when it dries naturally
 - Make a test cut with similar material to check accuracy of the settings before planing the workpiece
 - Feed the workpiece 'with' the grain whenever possible
 - Provide suitable support for long or wide workpieces
1. Set up the thicknesser for depth of cut required (see 'Setting the depth of cut' above)
 2. Stand on the side that the Crank Handle (9) is fitted. Never stand directly in front of the workpiece, and do not allow anyone to stand or cross in line with blade rotation. Kickback or thrown debris will travel in this direction
 3. Place the workpiece on the Infeed Table (10), with the surface to be planed facing upwards

4. Turn the machine 'ON' and allow the cutter head to reach full speed
5. Holding the workpiece firmly, move it slowly towards and onto the infeed

NOTE: Never feed a workpiece into the thicknesser via the outfeed table.

6. Stop pushing the workpiece once it is engaged by the in-feed roller. The in-feed roller will move the workpiece automatically through the thicknesser
7. Do not force the cut. Slowing or stalling will overheat the motor
8. Always keep your hands well away from the blades or chip ejection area while the motor is running
9. Support the weight of large workpieces as they move through the thicknesser to stabilise the workpiece and reduce snipe
10. Move to the back of machine to receive the workpiece. Do not pull the workpiece; allow the rollers to do the work
11. If a workpiece becomes jammed inside the machine, turn the machine off, remove the plug from mains supply, raise the Roller case away from the workpiece and **ALLOW THE MACHINE TO COME TO A COMPLETE STOP**
12. Never reach into the machine whilst it is in operation or running down
13. Use in-feed and out-feed rollers or supports when working with long workpieces
14. For precision woodworking, measure the thickness of the workpiece with calipers or a digital thickness gauge after each pass

Accessories

- A range of accessories, including thicknesser blades, is available from your Triton dealer
- Spare parts can be purchased from your Triton dealer or online at www.toolsparsonline.com

Maintenance

⚠ WARNING: ALWAYS disconnect from the power supply before carrying out any inspection, maintenance or cleaning.

⚠ WARNING: ALWAYS wear suitable cut-proof gloves when handling the Roller case (1) and its sub-components.

Note: Any damage to this tool should be repaired and carefully inspected before use, by qualified repair personnel.

Note: Have your power tool serviced by a qualified repair person using only identical replacement parts. This will ensure that the safety of the power tool is maintained.

- This tool is manufactured using class leading components and makes use of the latest in intelligent circuitry that protects the tool and its components. In normal use it should provide a long working life

Cleaning & lubrication

- Keep your machine clean at all times. Dirt and dust will cause internal parts to wear quickly, and shorten the machine's service life. Clean the body of your machine with a soft brush or dry cloth. If available, use clean, dry, compressed air to blow through the ventilation holes

- After use, vacuum the thicknesser machine to remove wood chips, sawdust and debris
- Use a cleaning solution (not included) to remove resin and grease residue
- Remove sawdust, wood chips and grease from chains and gears
- The bearings in motor and cutter head units are factory-sealed and should require no further lubrication
- Four components require regular lubrication:
 - Roller case vertical screw mechanism (x2)
 - Roller case lock cam
 - Roller case vertical rails (x4)
 - Feed roller chain drive
- Remove the top and both side panels to access these components
- Clean the chain drive before lubrication. Use spray oil (not included) to lubricate the chain. Allow time for the lubricant to penetrate between the links, then wipe the surface of the chain dry
- Remove any residues of grease from the other components, using mineral spirits if necessary, then apply a coat of light grade multi-purpose grease (not included)
- The work table and extension table can be coated with a very thin coat of lubricating wax (not included) to protect the surface from rust and to facilitate smooth feed during operation

Re-aligning the Roller case

- Test the blade alignment by running two pieces through each side (left and right) of the thicknesser
- Measure and compare results to check that the blades are correctly aligned and/or to determine the amount of correction required
- To correct any misalignment:
 1. Turn the thicknesser 'OFF' and remove the plug from the power source
 2. Carefully place the thicknesser on its back
 3. Remove the screws to the horizontal spindle retaining bracket on the Crank Handle (9) side of the thicknesser (Image D)
 4. Carefully disengage the gears (Image E)
 5. Slowly rotate the Crank Handle to raise or lower the Roller case as needed to reposition it on the vertical screw
 6. Rotate the Crank Handle forward or back as required in order to correct the misalignment. Each complete turn of the Crank Handle will make an adjustment of 1.5mm
 7. Re-engage the gears and refit the horizontal spindle retaining bracket
 8. Carefully sit the thicknesser upright again
 9. Carry out a test run to check the Roller case is now level
 10. Repeat the correction process if further adjustment is necessary

Checking and replacing the blades

Inspecting the blades:

1. Locate the Blade Cover Panel (17) on the back of the thicknesser. Loosen and remove the Blade Cover Panel Hex Screws (16) on either side and lift off the panel (Image F)
2. Identify the cutter head inside, and the TWO sharp blades on the cutter head
3. Without touching the blades, carefully turn the cutter head until the self-engaging latch clicks to lock the cutter head
4. Use the Hex Key (15) to remove the six bolts on the blade cover plate (Image G)
5. Using the two Magnets (19), carefully remove the blade cover plate
6. Then use the Magnets to remove the blade
7. Inspect the blade for signs of wear or damage. A blade that is dull, worn, nicked, torn or uneven can result in poor performance such as fuzzy grain, chipped grain, raised grain, raised edge and uneven cut

Replacing a blade:

Note: Replace blades in pairs only.

Note: Never mix a new blade with an old blade on the cutter head. Never mix blades with different degrees of wear. Never use a blade where unbalanced wear from side to side is present and never use blades other than the blades specified by the manufacturer.

1. Use the Magnets (19) to pick up and place the new blade onto the cutter head
2. Position the blade so that it sits securely on the two pins
3. Use the Magnets to transfer the cover plate back onto the blades
4. Re-fit the cover plate so that the six fixing holes are aligned with the holes on the cutter head
5. Tighten and secure with the six bolts

Inspecting and replacing the second blade:

1. To access the other blade, gently pull and hold the latch on the side of the cutter head to release it (Image H)
2. Once the cutter head rotates, release the latch
3. Without touching the blades, carefully turn the cutter head until the self-engaging latch clicks to lock the head again
4. Repeat the blade-changing procedure to check and replace the second blade

Checking and replacing the brushes

- Over time the carbon brushes inside the motor may become worn
- Excessively worn brushes may cause loss of power, intermittent failure, or visible sparking
- Brush life varies, depending on the motor loads. Inspection of the brushes after every 100 hours of use is recommended
- Replace the brushes if the length of carbon has been worn to less than 9.5mm, or if the springs are worn, or if you have noticed a loss of performance in the motor

- Replace with new parts only, and always replace both brushes
- To inspect and replace the brushes:
 1. Unscrew the Brush Access Caps (14) on either side of the motor
 2. Remove the brushes and check for wear
 3. Insert new brushes if required, and re-fit the brush caps

Replacing the drive belt

- Inadequate tension in the belt drive will cause the belt to slip. A loose belt must be replaced
 1. Switch the thicknesser 'OFF' and remove the plug from the power source
 2. Remove the Crank Handle (9), then loosen and remove the Side Panel Retaining Screws (2) (Image I) so that you can move the side panel out of the way. This will allow access to the belt drive (Image J)
 3. Remove the upper pulley cover (Image K)
 4. Remove the old belt by alternately walking the belt off each of the pulleys. Gently pull the belt outward while turning the pulleys at the same time (Image L)

Note: To turn the drive belt pulleys, it will be necessary to hold the red self-engaging latch, so the pulleys do not become locked into place.

5. Replace with a new belt by walking the belt onto the pulleys in the reverse manner used for removing the worn belt
6. Ensure the belt is evenly seated on the pulley grooves
7. Replace and secure the side panel and Crank Handle

Storage

- Store this tool and its accessories after use in its case in a dry, secure place out of the reach of children

Contact

For technical or repair service advice, please contact the helpline on (+44) 1935 382 222

Web: www.tritontools.com

UK Address:

Toolstream Ltd.
Boundary Way
Lufton Trading Estate
Yeovil, Somerset
BA22 8HZ, United Kingdom

EU Address:

Toolstream B.V.
Hogeweg 39
5301 LJ Zaltbommel
The Netherlands

Disposal

Always adhere to national regulations when disposing of power tools that are no longer functional and are not viable for repair.

- Do not dispose of power tools, or other waste electrical and electronic equipment (WEEE), with household waste
- Contact your local waste disposal authority for information on the correct way to dispose of power tools

Troubleshooting

Problem	Cause	Solution
Motor overheats	Motor overload	Reduce load on motor. Turn 'OFF' the machine until motor cools down
	Excessive dust build-up resulting in decreased circulation	Remove dust build-up
Loss of power	Circuit breaker tripped	Turn 'OFF' mains power and press circuit breaker reset switch
Frequent tripping of circuit breaker	Motor overload	Reduce load on motor
	Inadequate capacity of circuit breaker	Replace with correct circuit breaker
	Circuit overload	Reduce circuit load
	Blades are dull	Sharpen or replace blades
Snipe	Inadequate support of workpiece	Support long workpiece with additional platform
	Blades are dull	Replace blades
	Uneven force on cutter head	Push workpiece gently during operation
	Rollercase (1) is not parallel with table	Adjust table and Rollercase level correctly
	Workpiece is not butted correctly	Butt end to end each workpiece as it passes through thicknesser
Planed surface not smooth	Blades are dull	Replace blades
	Fuzzy grain due to high moisture content in wood	Use dry wood
	Torn grain due to blades cutting against the grain	Change direction and feed workpiece along the grain
	The cut is too deep	Decrease depth of cut
	Uneven thickness from side to side	Rollercase is not positioned level with thicknesser base. Adjust Rollercase alignment
Difficulties in adjusting rollercase height	Rollercase lock is engaged	Release rollercase lock
	Worn elevation screws	Replace elevation screws
	Dirty elevation screws	Clean and lubricate elevation screws
	Rollercase is not positioned parallel with table	Realign rollercase
	Inadequate capacity of circuit breaker	Clean and adjust rollercase

Guarantee

To register your guarantee visit our web site at tritontools.com* and enter your details.

Purchase Record

Date of Purchase: ___/___/___

Model: TPT125

Retain your receipt as proof of purchase.

Triton Precision Power Tools guarantees to the purchaser of this product that if any part proves to be defective due to faulty materials or workmanship within 3 YEARS from the date of original purchase, Triton will repair, or at its discretion replace, the faulty part free of charge.

This guarantee does not apply to commercial use nor does it extend to normal wear and tear or damage as a result of accident, abuse or misuse.

* Register online within 30 days.

Terms & conditions apply.

This does not affect your statutory rights.

Australian Warranty Information

You may wish to register your product at www.tritontools.com but you are not under any obligation to do so.

Our goods come with guarantees that cannot be excluded under the Australian Consumer Law.

You are entitled to a replacement or refund for a major failure and for compensation for any other reasonably foreseeable loss or damage. You are also entitled to have the goods repaired or replaced if the goods fail to be of acceptable quality and the failure does not amount to a major failure.

This product is guaranteed against faulty materials and workmanship for 3 YEARS from the date of purchase. Please retain your receipt as proof of purchase.

This warranty does not cover defects caused by or resulting from:

- (a) misuse, abuse or neglect;
- (b) trade, professional or hire use;
- (c) repairs attempted by anyone other than our authorised repair centres; or
- (d) damage caused by foreign objects, substances or accident.

Warranty Exclusions

Wearing parts, consumable items or service-related parts required when performing normal and regular maintenance of this product are not covered by the warranty unless it is found to be defective by an Authorised Service Centre.

Distributed in Australia by Carbatec:

Carbatec Pty Ltd, 128 Ingleston Road, Wakerley, QLD 4154

Enquiries

Email: callcentre@carbatec.com.au

Freecall number: 1800 658 111

The Carbatec policy is one of continuous improvement and the company reserves the right to alter designs, colours and specifications without notice.

Vertaling van de originele instructies

Inleiding

Hartelijk dank voor de aankoop van dit Triton-product. Deze handleiding omvat informatie die nodig is voor een veilig en efficiënt gebruik van dit product. Dit product is in het bezit van unieke kenmerken en, zelfs indien u bekend bent met gelijkaardige producten, is het nodig om deze handleiding aandachtig door te lezen om er zeker van te zijn dat u de instructies volledig begrijpt. Zorg ervoor dat alle gebruikers van het product deze handleiding volledig gelezen en begrepen hebben. Bewaar deze instructies bij het product, zodat u deze later nog eens kunt raadplegen.

Beschrijving van de symbolen

Op het typeplaatje van uw product kunnen symbolen voorkomen. Deze vertegenwoordigen belangrijke informatie met betrekking tot het product of instructies met betrekking tot het gebruik ervan.



Draag gehoorbescherming
Draag een veiligheidsbril
Draag een stofmasker
Draag een veiligheidshelm



Draag handschoenen



WAARSCHUWING: Om het risico op letsel te verminderen, moet de gebruiker de instructiehandleiding lezen



Draag beschermende kleding



Beschermingsklasse I (aardgeleiding)



Gebruik niet bij regen of in vochtige omstandigheden!



WAARSCHUWING: Bewegende delen kunnen ernstig letsel veroorzaken.



Let op: terugslaggevaar!



Enkel geschikt voor binnen gebruik!



Milieubescherming
Elektrische producten mogen niet met het normale huisvuil worden weggegooid. Indien de mogelijkheid bestaat, dient u het product te recyclen. Vraag de plaatselijke autoriteiten of winkelier om advies betreffende recyclen.



WAARSCHUWING GEVAAR DOOR ZWARE LASTEN

Hef de last niet alleen, dit resulteert mogelijk in persoonlijk letsel
Hef met meerdere personen

WAARSCHUWING: Dit product is zwaar en als voorzorgsmaatregel moet de machine met twee personen samengesteld worden.



Voldoet aan de relevante wetgeving en veiligheidsnormen

Technische afkortingen

V	Volt
~	Wisselspanning
A, mA	Ampère, milliampère
n_0	Onbelaste snelheid
Ø	Diameter
°	Graden
Hz	Hertz
W, kW	Watt, kilowatt
min ⁻¹	Operaties per minuut
spm	Snedes per minuut
dB(A)	Decibel geluidsniveau (A-gewogen)
m/s ²	Meters per secondekwadraat (trillingsamplitude)

Specificaties

Modelnr:	TPT125
Spanning:	220-240 V~, 50/60 Hz
Vermogen:	1100 W
Schaven per minuut:	17.500 spm
Onbelaste snelheid:	8750 min ⁻¹
Schaafhoogte:	3,2 - 152 mm
Schaafbreedte:	317 mm
Minimale schaaflengte:	380 mm
Tafelafmetingen:	317 x 597 mm

Stofafvoeropening:	Inwendig: 48 mm Uitwendig: 53 mm
Beschermingsklasse:	
Binnendringingsbescherming:	IP20
Gewicht:	22,2 kg
In het kader van onze voortgaande productontwikkeling kunnen de specificaties van Triton-producten zonder voorafgaande kennisgeving worden gewijzigd.	
Geluids- en trillingsgegevens	
Geluidsdruk L_{pA} :	90,9 dB(A)
Geluidsvermogen L_{WA} :	103,9 dB(A)
Onzekerheid K:	3 dB(A)
De geluidsintensiteit voor de bediener kan 85 dB(A) overschrijden en gehoorbescherming is noodzakelijk.	

⚠ WAARSCHUWING: Bij een geluidsintensiteit van 85 dB(A) of hoger is het dragen van gehoorbescherming en het limiteren van de blootstellingstijd vereist. Bij oncomfortabel hoge geluidsniveaus, zelfs met het dragen van gehoorbescherming, stopt u het gebruik van de machine onmiddellijk. Controleer de pasvorm en het geluidsdempingsniveau van de bescherming.

⚠ WAARSCHUWING: Blootstelling aan trilling resulteert mogelijk in gevoelloosheid, tinteling en een verminderd gripvermogen. Langdurige blootstelling kan leiden tot een chronische aandoening. Limiteer de blootstellingsduur en draag anti-vibratie handschoenen. Vibratie heeft een grotere invloed op handen met een temperatuur lager dan een normale, comfortabele temperatuur. Maak gebruik van de informatie in de specificaties voor het berekenen van de gebruiksduur en frequentie van de machine.

⚠ WAARSCHUWING: De trillingsbelasting tijdens het werken met het elektrisch gereedschap kan variëren afhankelijk van de toepassing en van de opgegeven totale vibratiewaarde. Om adequate veiligheidsmaatregelen te kunnen nemen om de gebruiker te beschermen, moet bij een nauwkeurige schatting van de trillingsbelasting ook rekening worden gehouden met de tijden waarop de machine wordt uitgeschakeld of de machine ingeschakeld is, maar niet daadwerkelijk wordt gebruikt.

Het in deze handleiding vermelde trillingsniveau is gemeten volgens een standaard genormeerde meetmethode en kan worden gebruikt om het ene gereedschap met het andere te vergelijken. Het is ook geschikt voor een voorlopige inschatting van de trillingsbelasting.

Geluidniveau in de specificatie zijn vastgesteld volgens internationale norm. De waarden gelden voor een normaal gebruik in normale werkomstandigheden. Een slecht onderhouden, onjuist samengestelde of onjuist gebruikte machine produceert mogelijk hogere geluids- en trillingsniveaus. www.osha.europa.eu biedt informatie met betrekking tot geluids- en trillingsniveaus op de werkplek wat mogelijk nuttig is voor regelmatigge gebruikers van machines.

Algemene veiligheidswaarschuwingen

⚠ WAARSCHUWING: Bij het gebruik van elektrisch gereedschap horen fundamentele veiligheidsvoorzorgmaatregelen opgevolgd te worden om het risico van brand, elektrische schokken en persoonlijk letsel te minimaliseren. Lees de gebruiksaanwijzing volledig door voorafgaand aan gebruik en bewaar hem bij het gereedschap om in de toekomst te kunnen raadplegen.

⚠ WAARSCHUWING: Dit gereedschap is niet geschikt voor gebruik door personen (inclusief kinderen) met een verminderde mentale of fysieke bekwaamheid of een gebrek aan ervaring of kennis, tenzij ze worden begeleid bij of geïnstrueerd in het gebruik van de machine door een persoon die verantwoordelijk voor hun veiligheid is. Kinderen moeten in de gaten worden gehouden om ervoor te zorgen dat ze niet met het gereedschap spelen.

VOORZICHTIG: Gebruik het elektrisch gereedschap, de accessoires en onderdelen volgens deze instructies en in overeenstemming met de werkomstandigheden en het uit te voeren werk. Het gebruik van het elektrische gereedschap voor werkzaamheden die verschillen van deze waarvoor het apparaat bedoeld is, kan aanleiding geven tot gevaarlijke situaties.

De term "elektrisch gereedschap" in alle hieronder vermelde waarschuwingen heeft betrekking op uw elektrische gereedschap dat op de stroom is aangesloten (met een snoer) of met een accu wordt gevoed (snoerloos).

- Houd de werkruimte schoon** – Rommelige ruimtes en werkbanken leiden vaak tot letsel
- Denk aan de werkplaatsomgeving**
 - Stel gereedschap niet bloot aan regen
 - Gebruik gereedschap niet in vochtige of natte omstandigheden
 - Zorg voor goede verlichting in de werkplaats
 - Gebruik gereedschap niet in de nabijheid van brandbare vloeistoffen of gassen
- Bescherm uzelf tegen elektrische schokken** – Vermijd lichaamscontact met geaarde oppervlakken (bijv. leidingen, radiatoren, fornuizen, koelkasten)
- Houd andere personen uit de buurt** – Laat personen, en met name kinderen, die niet bij het werk betrokken zijn, het gereedschap of verlengsnoer niet aanraken en houd ze uit de buurt van de werkruimte
- Berg ongebruikt gereedschap op** – Gereedschap dat niet wordt gebruikt moet worden opgeborgen op een droge, afgesloten plaats, buiten het bereik van kinderen
- Forceer het gereedschap niet** – Het gereedschap presteert beter en veiliger op de snelheid waarvoor het bedoeld was
- Gebruik het juiste gereedschap** – Forceer klein gereedschap niet om het werk van zwaar gereedschap uit te voeren

Gebruik gereedschap niet voor doelen waarvoor het niet bedoeld is; gebruik bijvoorbeeld geen cirkelzaag om takken van bomen of houtblokken te zagen

8 Draag geschikte kleding

- Draag geen loshangende kleding of sierraden die in bewegende onderdelen verstrikt kunnen raken
- Voor werk buiten wordt geschikt veiligheidsschoeisel aangeraden
- Draag hoofdbedekking waarmee wordt voorkomen dat lang haar los hangt

9 Gebruik beschermingsmiddelen

- Draag een veiligheidsbril
- Draag een gezichts- of stofmasker als het werk stof veroorzaakt

⚠ WAARSCHUWING: Het niet gebruiken van beschermingsmiddelen of geschikte kleding kan persoonlijk letsel veroorzaken of de ernst van letsel vergroten.

10 Sluit stofzuigapparatuur aan – Als het gereedschap over een verbinding voor apparatuur voor stofzuiging en stofopvang beschikt, zorg er dan voor dat deze apparatuur is aangesloten en op de juiste wijze wordt gebruikt

11 Misbruik het gereedschapssnoer niet – Trek nooit aan het snoer om het uit het stopcontact te halen. Houd het snoer uit de buurt van warmte, olie en scherpe randen. Beschadigde of verstrikte snoeren vergroten het risico van elektrische schokken

12 Bevestig uw werkstuk – Gebruik zo nodig klemmen of een bankschroef om het werkstuk te bevestigen. Het is veiliger dan uw hand te gebruiken

13 Reik niet te ver – Blijf altijd stevig en in balans staan

14 Onderhoud gereedschap zorgvuldig

- Als snijgereedschap scherp en schoon wordt gehouden kan het gemakkelijker onder controle worden gehouden en zet het zich minder waarschijnlijk vast in het werkstuk
- Volg instructies voor het smeren en verwisselen van accessoires
- Inspecteer de snoeren van het elektrische gereedschap periodiek en laat ze bij beschadiging repareren door een erkend onderhoudscentrum
- Inspecteer verlengsnoeren periodiek en vervang ze als ze beschadigd zijn
- Houd handvaten droog, schoon en vrij van olie en vet

⚠ WAARSCHUWING: Veel ongevallen worden veroorzaakt door slecht onderhouden elektrisch gereedschap.

15 Ontkoppel gereedschap – Als gereedschap niet wordt gebruikt, voorafgaand aan onderhoud en wanneer accessoires, zoals messen en frezen worden verwisseld, dient het van de voedingsbron te worden losgekoppeld

⚠ WAARSCHUWING: Het gebruik van accessoires of hulpstukken die niet door de fabrikant zijn aanbevolen kunnen resulteren in risico van letsel aan personen.

16 Verwijder stel- en moersleutels – Maak er een gewoonte van om te controleren dat sleutels en stelsleutels van het gereedschap zijn verwijderd voordat het gereedschap wordt aangeschakeld

17 Vermijd onbedoeld starten – Zorg ervoor dat de schakelaar in de 'O'-positie staat als het gereedschap met het stopcontact wordt verbonden of een accupak wordt aangebracht, of als u het gereedschap optilt of draagt

⚠ WAARSCHUWING: Onbedoeld starten van gereedschap kan aanzienlijk letsel veroorzaken.

18 Gebruik verlengsnoeren die buiten kunnen worden gebruikt – Als het gereedschap buiten moet worden gebruikt, gebruik dan alleen verlengsnoeren die bedoeld zijn voor gebruik buiten en als zodanig zijn aangeduid. Het gebruik van een verlengsnoer dat geschikt is voor gebruik buiten verkleint het risico van elektrische schokken

19 Blijf alert

- Houd uw aandacht op het werk, gebruik uw gezonde verstand en gebruik het gereedschap niet als u vermoeid bent
- Gebruik elektrisch gereedschap niet als u onder invloed bent van drugs, alcohol of medicatie

⚠ WAARSCHUWING: Een moment van onoplettendheid tijdens het gebruik van elektrisch gereedschap kan resulteren in ernstig persoonlijk letsel.

20 Controleer beschadigde onderdelen

- Voorafgaand aan verder gebruik van het gereedschap, moet het zorgvuldig worden gecontroleerd om te bepalen dat het op de juiste wijze werkt en de bedoelde functie uitvoert
- Controleer de uitlijning van bewegende delen, vastzitten van bewegende delen, breuken aan onderdelen, montage en andere zaken die van invloed kunnen zijn op het gebruik ervan
- Een beschermkap of ander deel dat is beschadigd, moet op de juiste wijze worden gerepareerd of vervangen door een erkend onderhoudscentrum tenzij anderszins aangegeven in deze gebruiksaanwijzing
- Laat defecte schakelaars vervangen door een erkend onderhoudscentrum

⚠ WAARSCHUWING: Gebruik het gereedschap niet als de AAN/UIT-schakelaar het niet aan of uit schakelt. De schakelaar moet worden gerepareerd alvorens het gereedschap wordt gebruikt.

21 Gebruik aanbevolen accessoires – Raadpleeg het handboek van de eigenaar voor aanbevolen accessoires

⚠ WAARSCHUWING: Het gebruik van andere accessoires of hulpstukken dan die zijn aanbevolen in deze gebruiksaanwijzing kan een risico van persoonlijk letsel met zich meebrengen.

22 Laat uw gereedschap repareren door een gekwalificeerde persoon – Dit elektrische gereedschap voldoet aan de relevante veiligheidsvoorschriften. Reparaties mogen alleen worden uitgevoerd door gekwalificeerde personen. Indien dit niet gebeurt, kan dit in aanzienlijk gevaar voor de gebruiker resulteren

⚠ WAARSCHUWING: Gebruik tijdens onderhoud alleen identieke vervangende onderdelen.

⚠ WAARSCHUWING: Als het snoer is beschadigd, moet het door de fabrikant of een erkend onderhoudscentrum worden vervangen.

23 De stekker van het elektrische gereedschap moet passen bij het stopcontact – Pas de stekker op geen enkele wijze aan. Gebruik geen adapterstekkers voor geaard elektrisch gereedschap. Onveranderde stekkers en bijpassende stopcontacten verminderen het risico van elektrische schokken

- 24 **Als het gereedschap buiten wordt gebruikt, gebruik dan een aardlekbeveiliging (residual current device (RCD))** – Het gebruik van een RCD vermindert het risico van elektrische schokken
- 25 **Als het gereedschap in de Verenigde Staten, Australië of Nieuw-Zeeland wordt gebruikt, wordt aangeraden dat dit gereedschap ALTIJD wordt gevoed via een aardlekbeveiliging (Residual Current Device (RCD) met een nominale stroomsterkte van 30 mA of minder**
- 26 **Gebruik het juiste verleng snoer. Zorg ervoor dat uw verleng snoer in een goede staat verkeert. Wees er bij gebruik van een verleng snoer zeker van dat hij zwaar genoeg is voor het stroom dat uw product verbruikt.** Een verleng snoer dat niet zwaar genoeg is veroorzaakt een daling in lijnspanning wat resulteert in verlies van vermogen of oververhitting. Tabel A toont de juiste maat op grond van snoerlengte en ampère classificatie op het typeplaatje. Bij twijfel, gebruik de volgende zwaardere maat. Hoe kleiner het maatnummer, des te zwaarder het verleng snoer
- 27 **Laat het gereedschap nooit onbeheerd in werking. Schakel de voeding uit.** Laat het gereedschap niet achter voordat het volledig tot stilstand is gekomen

Zelfs als het gereedschap volgens de gebruiksaanwijzing wordt gebruikt is het niet mogelijk om alle resterende risicofactoren uit te sluiten. Gebruik het gereedschap voorzichtig. Als u op enige wijze twijfelt over de juiste en veilige manier om dit gereedschap te gebruiken, probeer dan niet om het toch te gebruiken.

⚠ WAARSCHUWING: Voordat u gereedschap met een stroomvoorziening (elektriciteitsaansluiting, stopcontact, enz.) verbindt, dient u er zeker van te zijn dat de geleverde spanning dezelfde is als vermeld op het typeplaatje van het gereedschap. Een voedingsbron met een grotere spanning dan vermeld voor het gereedschap kan ernstig letsel aan de gebruiker en schade aan het gereedschap veroorzaken. Verbind bij twijfel het gereedschap niet. Het gebruik van een voedingsbron met een spanning die lager is dan de waarde op het typeplaatje is schadelijk voor de motor.

Tabel A						
Ampère		Volt	Totale lengte van snoer in meters			
		120	7,5	15	30,5	46
		240	15	30,5	61	92
Meer dan	Niet meer dan		Minimale maat voor snoer			
0	6		18	16	16	14
6	10		18	16	14	12
10	12		16	16	14	12
12	16		14	12	Niet aanbevolen	

Veiligheid snijgereedschap

⚠ WAARSCHUWING: Voordat u gereedschap met een stroomvoorziening (elektriciteitsaansluiting, stopcontact, enz.) verbindt, dient u er zeker van te zijn dat de geleverde spanning dezelfde is als vermeld op het typeplaatje van het gereedschap. Een voedingsbron met een grotere spanning dan vermeld voor het gereedschap kan ernstig letsel aan de gebruiker en schade aan het gereedschap veroorzaken. Verbind bij twijfel het gereedschap niet. Het gebruik van een voedingsbron met een spanning die lager is dan de waarde op het typeplaatje is schadelijk voor de motor.

Gebruik het juiste snijgereedschap

- Garandeer dat het snijgereedschap geschikt is voor het werk. Neem niet aan dat gereedschap geschikt is zonder voorafgaand aan het gebruik de productliteratuur door te nemen

Bescherm uw ogen

- Draag altijd geschikte oogbescherming als u snijgereedschap gebruikt
- Een normale bril is niet ontworpen om bescherming tijdens het gebruik van dit product te bieden; normale lenzen zijn niet bestand tegen schokken en kunnen versplinteren

Bescherm uw gehoor

- Draag altijd geschikte gehoorbescherming als het lawaai van het gereedschap de 85 dB overtreft

Bescherm uw luchtwegen

- Zorg ervoor dat u en anderen om u heen geschikte stofmaskers dragen

Bescherm uw handen

- Laat uw handen niet in de buurt van het snijwiel of de messen van het elektrische gereedschap komen. Gebruik voor kortere werkstukken een geschikte duwstok

Wees u bewust van anderen om u heen

- Het is de verantwoordelijkheid van de gebruiker om ervoor te zorgen dat personen in de buurt van de werkruimte niet blootgesteld worden aan gevaarlijk lawaai of stof en ook worden voorzien van geschikte beschermingsmiddelen

Verborgen objecten

- Inspecteer het werkstuk en verwijder alle spijkers en andere ingebedde objecten voordat u met de snijwerkzaamheden begint
- Probeer geen materiaal te snijden dat ingebedde objecten bevat tenzij u weet dat het snijgereedschap dat op uw elektrische gereedschap is aangebracht geschikt is voor het werk
- Wanden kunnen bedrading en leidingen bevatten, carrosseriepanelen van auto's kunnen stenen en glas verbergen. Controleer de werkruimte altijd grondig voordat u met het werk begint

Wees voorzichtig met rondvliegend afval

- In sommige situaties kan afvalmateriaal op hoge snelheid van het snijgereedschap afvliegen. Het is de verantwoordelijkheid van de gebruiker om ervoor te zorgen dat anderen in de werkruimte beschermd zijn tegen mogelijk rondvliegend afval

Het aanbrengen van snijgereedschap

- Zorg ervoor dat snijgereedschap op de juiste manier en stevig is aangebracht en controleer dat moersleutels/instelsleutels voorafgaand aan het gebruik zijn verwijderd
- Gebruik alleen snijgereedschap dat voor uw elektrische gereedschap is aangeraden
- Probeer snijgereedschap niet te veranderen
- Zorg ervoor dat messen scherp, in goede staat en op de juiste wijze gemonteerd zijn
- Probeer de messen niet zelf te slijpen. Geharde messen of messen van geharde legeringen die vaak wolfram bevatten kunnen niet zonder professioneel gereedschap worden geslepen
- Monteer alleen messen die speciaal ontwikkeld en bedoeld zijn voor dit gereedschap
- In het geval dat de messen tijdens het gebruik tegen een ingebed object aanlopen waar ze niet geschikt voor zijn, moeten de messen onmiddellijk worden vervangen

Invoerrichting

- Voer het werkstuk uitsluitend aan in het zaagblad of het gereedschap tegen de richting van de beweging van het zaagblad of het gereedschap in.

Pas op voor hitte

- Snijgereedschap en werkstukken kunnen tijdens het gebruik heet worden. Vervissel gereedschap niet eerder dan nadat het volledig is afgekoeld

Beheers stof/spaanders

- Laat stof of spaanders niet ophopen. Zaagsel is brandgevaarlijk en bepaalde metalen spaanders kunnen explosief zijn.
- Wees vooral voorzichtig als u hout en metaal snijdt. Zaagsel kan gemakkelijk ontbranden door vonken van het snijden van metalen
- Gebruik waar mogelijk een stofzuigstelsel om een veiliger werkomgeving te creëren

Veiligheid vandiktebank schaafmachine

⚠ WAARSCHUWING: Gebruik het gereedschap nooit zonder dat het gepaste scherm is aangebracht of op de juiste wijze is afgesteld.

⚠ WAARSCHUWING: Elk deel van het schaaftblok dat niet voor schaven wordt gebruikt moet worden afgeschermd.

⚠ WAARSCHUWING: Als smalle werkstukken worden geschaafd, kunnen extra maatregelen, zoals het gebruik van horizontale drukrichtingen, nodig zijn om te garanderen dat het werk veilig wordt uitgevoerd.

⚠ WAARSCHUWING: Schaafgereedschap mag niet worden gebruikt om sponningen, uitfrezingen, pennen of mallen te snijden.

- **Gebruik geschikte luchtwegbescherming.** Gebruik van dit gereedschap kan stof genereren dat chemicaliën bevat die kanker, geboortefwijkingen of andere schade voor de voortplanting kunnen veroorzaken. Hout kan conserveermiddelen zoals koper-chroom-arsenaat (CCA) bevatten, wat giftig kan zijn. Tijdens het schuren, boren of

snijden van deze materialen moet extra voorzichtig worden gewerkt om inhalering te voorkomen en contact met de huid tot een minimum te beperken.

- **Gebruik alleen scherpe messen.** Hanteer de messen zeer voorzichtig met snijbestendige handschoenen.

⚠ WAARSCHUWING: Gebruik geen messen die stomp zijn omdat dit terugslaggevaar kan vergroten.

- **Zorg ervoor dat alle doeken, koorden, lappen, touwen en vergelijkbare voorwerpen uit de werkruimte zijn verwijderd om verstrikking in het schaaftmechanisme te voorkomen.**
- **Laat het gereedschap op volle snelheid komen voordat u contact met het werkstuk maakt en met schaven begint.**
- **Schakel het gereedschap ALTIJD UIT; en laat de messen volledig tot stilstand komen alvorens aanpassingen aan te brengen, reinigingswerkzaamheden of onderhoud uit te voeren.**
- **Vervang alle messen op hetzelfde moment, indien dit niet wordt gedaan, veroorzaakt de resulterende onevenwichtigheid trilling en wordt het leven van het schaaftgereedschap en de messen verkort.**
- **Probeer geen schaaftwerkzaamheden uit te voeren die niet door de fabrikant worden aangeraden. Onvolledige sneden, uitfrezen, pennen, mallen of het schaven van zeer verbogen hout is niet toegestaan met dit gereedschap.**
- **Gebruik de vandiktebank van het schaaftgereedschap niet als het niet op een stevig werkoppervlak is bevestigd. Zonder voldoende bevestiging kan de vandiktebank plotseling tijdens bediening bewegen en potentieel ernstig letsel aan de bediener toebrengen.**
- **Houd de duwstok altijd naast de invoertafel tijdens schaaftwerkzaamheden. Als korte werkstukken worden geschaafd, dient de duwstok te worden gebruikt. Gebruik de duwstok als u zich dicht bij het mes bevindt en als het werkstuk dunner is dan 75 mm.**
- **Probeer geen zeer gebogen materiaal te schaven als er onvoldoende contact met de invoertafel wordt gemaakt**
- **Voer geen schaaftwerkzaamheden uit op materiaal dat korter is dan een afmeting die gelijk is aan de lengte van de snijkop plus 50 mm, smaller is dan 19 mm, of breder dan de capaciteit van het mes in inches of dunner dan 13 mm.**
- **Zorg voor gelijke hoogte van de oppervlakken van de invoer- en uitvoertafel en garandeer dat deze hoogte correct is in verhouding met het pad van het mes van de snijkop.**
- **Ondersteun het werkstuk altijd voldoende tijdens werkzaamheden; houd te allen tijde controle over het werk.**
- **Duw het werkstuk niet terug in de richting van de invoertafel.**
- **Probeer geen ongebruikelijke of weinig gebruikte handelingen uit te voeren zonder deze te bestuderen of zonder het gebruik van voldoende plaathouders/duwblokken, mallen, werkstukklemmen, pallen enz.**
- **Als het gereedschap wordt vervoerd, zorg ervoor dat de transporthandvaten worden gebruikt (en niet het bedieningshandvat) en dat alle vergrendelingsmechanismen en beschermkappen stevig zijn aangebracht.**

Terugslagpreventie

Opmerking: Terugslag treedt op als het mes snel stilstaat, omdat het bekneld raakt, vast komt te zitten of niet goed is uitgelijnd, en het werkstuk naar de bediener duwt. Terugslag kan ook de hand van de bediener in het mes trekken met ernstig letsel tot gevolg.

⚠ WAARSCHUWING: Terugslag is het resultaat van misbruik en/of onjuiste bedieningsprocedures of -omstandigheden van het gereedschap. Echter, als voorzorgsmaatregelen worden genomen kunnen terugslagkrachten door de bediener worden beheerst of volledig worden vermeden:

- a) **Probeer NOOIT met een stomp of verbogen mes te schaven.** *Zorg er ALTIJD voor dat het mes geschikt is voor het te schaven materiaal.*
- b) **Zorg er ALTIJD voor dat de geleider/tafel parallel is aan het mes.** *Als de geleider/tafel inwaarts naar het mes toe kantelt, kan het werkstuk in contact komen met de achterrand van het mes.*
- c) **Wees VOORZICHTIG met het schaven van grote werkstukken.** *Zorg ervoor dat grotere blokken goed ondersteund worden door toereikende in- en uitvoersteunen.*
- d) **Schaaf GEEN ronde blokken of werkstukken die niet plat op de tafel kunnen liggen.** *Vermijd het schaven van verwrongen, vervormd of knoestig hout.*
- e) **Schaaf GEEN nat hout, omdat dit meer frictie met het mes veroorzaakt.** *Nat zaagsel kan zich op het mes ophopen en de waarschijnlijkheid van terugslag verder vergroten.*
- f) **Houd ALTIJD met beide handen een stevige grip op het werkstuk en plaats uw armen zodanig dat ze weerstand bieden tegen terugslagkrachten.**
- g) **Blijf uit het pad van het mes en plaats uw lichaam aan een van de kanten van het mes, maar niet op één lijn met het mes.**
- h) **Schaaf NIET met een achteruitbeweging.** *Als u een schaaftbewerking moet onderbreken voordat deze is voltooid, schakel het gereedschap dan uit en verwijder het werkstuk van het gereedschap zodra het mes niet langer draait.*
- i) **Gebruik ALTIJD duwstokken waar toepasselijk om het werkstuk door het mes te geleiden.** *Gebruik zo mogelijk veerplaten om het werkstuk vast te houden.*

Productonderdelen

1. Cilinderbehuizing
2. Zijpaneelschroeven
3. Dikteshaal
4. Schaalwijzer
5. Stofkoker
6. Stofkokerschroeven
7. Handslingerbout
8. Handslingermondstuk
9. Handslinger
10. Invoertafel
11. Middentafel
12. Stroombreker herstel knop

13. Aan-/uitschakelaar
14. Koolstofborstel-toegangsdop
15. Zeskantsleutel
16. Mesbeschermerschroeven
17. Mesbeschermer
18. Stofkokermondstuk
19. Magneten

Voorzien gebruik

Een op een werkbank gemonteerde, op netstroom werkende vandiktebank voor veeleisende schaaftwerkzaamheden aan planken van hard en zacht hout die langer zijn dan 380 mm. De machine kan oneffen blokken voorbereiden en rechthoekig hout voor het vormen van inzetstukken produceren, en op dikke schaven om gelijkmatige vlakke platen voor diverse projecten te creëren.

Het uitpakken van uw gereedschap

- Pak uw toestel / gereedschap uit. Zorg dat u volledig op de hoogte bent van alle kenmerken en functies ervan.
- Zorg ervoor dat alle onderdelen van het product aanwezig zijn en in goede staat verkeren. Indien er onderdelen ontbreken of beschadigd zijn, dienen deze vervangen te worden alvorens het gereedschap te gebruiken

Voorafgaand aan het gebruik

⚠ WAARSCHUWING: Ontkoppel het gereedschap ALTIJD van de voedingsbron voordat u aanpassingen, inspecties, onderhoud of reinigingswerk uitvoert.

⚠ WAARSCHUWING: Draag ALTIJD geschikte snijbestendige handschoenen wanneer u de cilinderbehuizing (1) en de componenten daarin hanteert.

Bankmontage

- Plaats het gereedschap op een stevig, vlak oppervlak zodat de tafel horizontaal staat en het gereedschap niet kan omkantelen
 - Als de vandiktebank in een permanente positie moet worden gebruikt, wordt aangeraden hem op een vast werkoppervlak te bevestigen, als volgt:
1. Gebruik de gaten in de onderkant van de vandiktebank (Afbeelding A) als een sjabloon om vier gaten in het montageoppervlak (d.w.z. de werkbank) te markeren en boren. Bevestig het gereedschap met grote bouten, sluitringen en moeren (niet meegeleverd).
 2. Als de vandiktebank draagbaarder moet zijn, bevestig dan een plaat aan de onderkant die gemakkelijk kan worden vastgeklemd aan en verwijderd van diverse montageoppervlakken
 3. Als bouten worden gebruikt, moeten deze lang genoeg zijn om ruim door de werkbank of de plaat te steken en een stevige bevestiging te garanderen

Installatie handslinger

Bevestig de handslinger (9) op zijn plaats (zie hoofdafbeelding) aan de rechterkant van de vandiktebank:

1. Plaats de veerring op de handslingerbout (7)
2. Bevestig de handslinger op de verhogingsschroef (Afbeelding B)
3. Gebruik de handslingerbout om de handslinger te bevestigen. Gebruik de zeskantsleutel (15) om de bout aan te draaien.
4. Voer de handslinger montageknop (8) in om de bevestiging te verbergen

Bevestiging van de stofkoker

De stofkoker (5) kan aan beide kanten van de vandiktebank worden gemonteerd voor afzuiging van afval.

1. Gebruik de 2 x stofkokerschroeven (6) om de stofkoker op de cilinderbehuizing (1) te monteren met behulp van de stofkoker montagegaten (18) (Afbeelding C)
2. Nadat de stofkoker is bevestigd kan de slang van het afzuigstelsel worden verbonden
3. Schakel het afzuigstelsel aan alvorens de vandiktebank te bedienen

Controleren of de cilinderbehuizing waterpas is

- De cilinderbehuizing (1) is uitgelijnd en gecontroleerd in de fabriek. Hij kan echter tijdens verzending en hantering uit positie raken.
- Als de cilinderbehuizing niet waterpas is ten opzichte van de middentafel (11), resulteert dit in een tapse schaaftbewerking waarbij de dikte van de ene kant van het werkstuk verschilt van de andere kant. Het kan ook ongelijkmatige slijtage van het mes veroorzaken
- Controleer of de messen op de juiste wijze zijn uitgelijnd door proef te draaien: voer twee stukken door elke kant (links en rechts) van de vandiktebank
- Meet en vergelijk de resultaten om te controleren of de messen goed zijn uitgelijnd en/of bepaal de vereiste mate van correctie
- Als de messen opnieuw moeten worden uitgelijnd, raadpleeg dan 'Onderhoud - heruitlijning van de cilinderbehuizing' als richtsnoer

Gebruik

⚠ WAARSCHUWING: Ontkoppel het gereedschap ALTIJD van de voedingsbron voordat u aanpassingen, inspecties, onderhoud of reinigingswerk uitvoert.

⚠ WAARSCHUWING: Draag ALTIJD geschikte snijbestendige handschoenen wanneer u de cilinderbehuizing (9) en de componenten daarin hanteert.

Belangrijke richtlijnen voor het veilige gebruik van dit gereedschap

- Ontkoppel het gereedschap van de voedingsbron als u onderdelen aanpast of vervangt
- Zorg ervoor dat de aan/uit-schakelaar in de UIT-positie staat voordat u het gereedschap met de netvoeding verbindt
- Houd ledematen uit de buurt van bewegende onderdelen

- Draag oogbescherming en een gezichtsmasker tijdens het gebruik van dit gereedschap
- Zorg ervoor dat alle mobiele onderdelen vrij bewegen en niet worden belemmerd
- Houd messen scherp, uitgelijnd en stevig bevestigd aan de snijkop
- Schakel het gereedschap nooit aan terwijl het werkstuk contact met de messen maakt
- Als de vandiktebank niet wordt gebruikt, schakel hem dan uit en ontkoppel hem van de voedingsbron
- Houd de vandiktebank in goede conditie. Volg de onderhoudsinstructies (zie 'Onderhoud')
- Gebruik de vandiktebank nooit om gedeeltelijke schaaftsneden te maken - alleen volledige schaaftsneden mogen worden uitgevoerd
- Gebruik de vandiktebank niet voor het snijden van uitfrezingen, pennen of mallen

Capaciteit werkstukken

- Werkstukken moeten voldoen aan de volgende minimale en maximale afmetingen:
 - I. Minimale dikte: 3,2 mm
 - II. Minimale lengte: 381 mm
 - III. Minimale breedte: 18 mm
 - IV. Maximale breedte: 317 mm
- Gebruik geen zwak, droog of beschadigd, zeer knoestig hout dat in het schaaftmechanisme uit elkaar kan vallen en het mechanisme en de motor zou kunnen beschadigen en terugslag zou kunnen veroorzaken
- Zorg ervoor dat er geen ingebedde objecten, zoals schroeven, spijkers en nieten in het hout zitten. Ingebedde objecten kunnen grote schade aan het gereedschap toebrengen, vormen een veiligheidsrisico als ze rondvliegen en veroorzaken terugslag
- Schaaft geen zeer gebogen/vervormd hout wanneer er onvoldoende contact met de invoertafel bestaat
- Deze vandiktebank is uitsluitend voor natuurlijk houtmateriaal ontwikkeld
- Verwijder lijm en andere vreemde voorwerpen uit het werkstuk voordat u gaat schaven
- Gebruik de hele breedte van de snijkop om ongelijkmatige slijtage van messen te voorkomen

Hoogt-instelling cilinderbehuizing

- De cilinderbehuizing (1) bevat de motor, snijkop met messen en de in- en uitvoerrollen
- Roteer de handslinger (9) om de cilinderbehuizing omhoog of omlaag te bewegen. Met een volledige draai van de handslinger wordt de cilinderbehuizing 1,58 mm (1/16") omhoog of omlaag bewogen
- De schaalwijzer (4) en dikteschaal (3) geven een meting, in metrische en imperiale gradaties, van de hoogte van de snijkop boven de middentafel (11) - en derhalve de dikte bij benadering van het werkstuk na het schaven

- De dikteschaal is gekalibreerd in de fabriek. Voor precisie-houtbewerking wordt aanbevolen dat u voor en na elke schaaftbewerking de afmetingen controleert met een krompasser of digitale diktemeter

Instellen sneddiepte

- Ter bescherming van de motor en slijkop is de aanbevolen maximum diepte van de snede voor een enkele bewerking als volgt:

Max. diepte van de snede	
Breedte van het werkstuk	Max. diepte van de snede
Tot 125 mm	2,38 mm
Van 125 mm tot 317 mm	1,6 mm

Het instellen van de diepte van de snede:

1. Meet de huidige dikte van het werkstuk en vergelijk dit met de vereiste dikte
2. Raadpleeg de bovenstaande tabel 'Max. diepte van de snede' om te bepalen of een of twee bewerkingen nodig zijn
3. Als slechts een bewerking nodig is:
 - Gebruik de handslinger om de cilinderbehuizing (1) omhoog of omlaag te bewegen tot de schaalwijzer (4) op de dikteschaal (3) de vereiste dikte van de afwerking van het werkstuk aangeeft
4. Als meer dan een bewerking nodig is:
 - a) Wordt aanbevolen dat u het vereiste totaal verdeelt in bewerkingen van ongeveer gelijke diepte
 - b) Zet voor de eerste en alle tussentijdse sneden de hoogte van de cilinderbehuizing op de dikte van het huidige werkstuk minus de diepte die berekend is in stap (a) hierboven
 - c) Controleer de afmetingen na elke snede met een krompasser of digitale diktemeter

Aan- en uitschakelen

- De aan-/uitschakelaar (13) bevindt zich aan de voorkant van de vandiktebank
- De vandiktebank wordt aangeschakeld door de groene AAN-knop (I) in te drukken
- De vandiktebank wordt uitgeschakeld door de rode UIT-knop (0) in te drukken

Stroomonderbreker

- Aan de linkerkant van de aan-/uitschakelaar (13) is een stroomonderbreker geïnstalleerd (Afbeelding M)
- Als excessieve elektrische stroomsterkte wordt waargenomen schakelt de stroomonderbreker de stroomtoevoer uit om de motor te beschermen
- Voorafgaand aan het opnieuw instellen van de stroomonderbreker dienen de motor, schakelaar en stroomverbinding te worden gecontroleerd op kortsluiting of defecte componenten.

- De stroomonderbreker wordt als volgt opnieuw ingesteld:
 - o Druk op de rode (0)-knop zodat het gereedschap is uitgeschakeld
 - o Druk op de resetknop van de stroomonderbreker (12)

Bediening vandiktebank

⚠ WAARSCHUWING: Gebruik altijd voldoende beschermingsmiddelen, inclusief oog-, luchtweg- en gehoorbescherming tijdens het werken met dit gereedschap.

- Bepaal voor de beste resultaten de gewenste diepte van de snede en de uiteindelijke dikte van het werkstuk voorafgaand aan het schaven. Aangezien er een grens is voor de maximale sneddiepte kunnen meerdere bewerkingen nodig zijn om de uiteindelijke dikte te bereiken
 - Over het algemeen bieden dunne schaaftbewerkingen een beter resultaat wat betreft gladheid van het afgewerkte oppervlak, gelijkmatige dikte, minder kans op terugslag, minder ongelijkmatige sneden, en minder slijtage van de slijkop en motor
 - Om terugslag te voorkomen dienen geen schaaftbewerkingen van dieper dan 2,4 mm in een bewerking te worden gemaakt.
 - Als meer dan één bewerking noodzakelijk is, moet de cilinderbehuizing (1) handmatig worden neergelaten voorafgaand aan elke bewerking
 - Stel altijd een dunne snijdiepte voor hardhout, brede werkstukken en werkstukken met een oneffen oppervlak in
 - Vermijd houtblokken met veel of grote knoesten of die overmatig zijn vervormd, kromgetrokken of gebogen
 - Bewerk zo nodig een kant eerst met een vlakbank of vlakschaaftmachine om ten minste een vlak oppervlak te verkrijgen voordat de vandiktebank wordt gebruikt
 - Schaaft beide zijden van het werkstuk, en verwijder de helft van de totale diepte van elke kant. Hiermee worden twee gladde oppervlakken met gelijk vochtgehalte geproduceerd en derhalve trekt een plaat minder waarschijnlijk krom als hij op natuurlijke wijze opdroogt
 - Maak een proefsnede in vergelijkbaar materiaal voordat u met het schaven van het werkstuk begint
 - Voer het werkstuk zo mogelijk in 'met de nerf mee'
 - Zorg voor goede ondersteuning van lange en brede werkstukken
1. Stel de vandiktebank in op de vereiste diepte van de snede (Zie 'Instellen sneddiepte' hierboven)
 2. Ga aan de kant van de handslinger (9) staan. Sta nooit direct voor het werkstuk en laat niemand uitgelijnd met de mesrotatie staan of oversteken. Terugslag of rondvliegend afval beweegt in die richting
 3. Plaats het werkstuk op de invoertafel (10), met het te schaven oppervlakte naar boven
 4. Schakel de machine aan en laat de slijkop op volle snelheid komen
 5. Terwijl u het werkstuk stevig vasthoudt, beweeg het langzaam naar en op de invoerrol

Opmerking: Voed een werkstuk nooit in de machine via de uitvoer tafel

6. Stop met het duwen van het werkstuk zodra het door de invoerrol wordt gegrepen. De invoerrol beweegt het werkstuk automatisch door de vandiktebank
7. Forceer de snede niet. Met vertragen of stilstaan raakt de motor oververhit
8. Houd uw handen altijd uit de buurt van de messen of ruimte waar spaanders uitvliegen terwijl de motor loopt
9. Ondersteun het gewicht van grote werkstukken naarmate ze door de vandiktebank bewegen om het werkstuk te stabiliseren en ongelijkmatige sneden te beperken
10. Beweeg naar de achterzijde van het gereedschap om het werkstuk te ontvangen. Trek niet aan het werkstuk, laat de rollen het werk doen
11. Als een werkstuk vast komt te zitten in het gereedschap, schakel het gereedschap uit, verwijder de stekker uit het stopcontact, til de cilinderbehuizing van het werkstuk af, en LAAT HET GEREEDSCHAP VOLLEDIG TOT STILSTAND KOMEN
12. Reik nooit in het gereedschap terwijl het werk of tot stilstand komt
13. Gebruik invoer- en uitvoerrollen of steunen als met lange werkstukken wordt gewerkt
14. Meet voor precisie-houtbewerking na elke bewerking de dikte van het werkstuk met een krompasser of een digitale diktemeter

Accessoires

- Een assortiment accessoires, inclusief vandiktebankmessen, is beschikbaar van uw Triton-handelaar
- Reserveonderdelen zijn te koop bij uw Triton-handelaar of online op www.toolsparsonline.com

Onderhoud

⚠ WAARSCHUWING: Ontkoppel het gereedschap ALTIJD van de voedingsbron voordat u inspecties, onderhoud of r einigingswerk uitvoert.

⚠ WAARSCHUWING: Draag ALTIJD geschikte snijbestendige handschoenen wanneer u de cilinderbehuizing (1) en de componenten daarin hanteert.

Opmerking: Schade aan dit gereedschap moet door gekwalificeerde monteurs worden gerepareerd en zorgvuldig geïnspecteerd voorafgaand aan gebruik.

Opmerking: Laat uw elektrische gereedschap onderhouden door een gekwalificeerde monteur met gebruik van uitsluitend identieke vervangende onderdelen. Hiermee wordt gegarandeerd dat de veiligheid van het elektrische gereedschap wordt gehandhaafd.

- Dit gereedschap is geproduceerd met toonaangevende componenten en maakt gebruik van het meest geavanceerde slimme schakelsysteem dat het gereedschap en de componenten beschermt. Bij normaal gebruik zou het een lang werkzaam leven moeten bieden

Reiniging en smering

- Houd uw gereedschap altijd schoon. Vuil en stof veroorzaken voortijdige slijtage van de interne onderdelen en verkorten het leven van het gereedschap. Reinig het hoofddeel van het gereedschap met een zachte borstel of droge doek. Indien beschikbaar, gebruik schone, droge perslucht om door de ventilatiegaten te blazen.
- Stofzuig na gebruik de vandiktebank om houten spaanders, zaagsel en vuil te verwijderen
- Gebruik een reinigingsmiddel (niet meegeleverd) om hars- en vetresten te verwijderen
- Verwijder zaagsel, houten spaanders en vet van kettingen en tandwielen
- De lagers in de motor en slijkkoppen zijn in de fabriek afgedicht en hoeven niet gesmeerd te worden
- Vier onderdelen moeten regelmatig worden gesmeerd:
 - o Verticaal schroefmechanisme cilinderbehuizing (x2)
 - o Sluitnokken cilinderbehuizing
 - o Verticale rails cilinderbehuizing (x4)
 - o Kettingaandrijving invoerrol
- Verwijder het bovenpaneel en beide zijpanelen om toegang tot deze componenten te krijgen
- Reinig de kettingaandrijving voorafgaand aan smering. Gebruik spuitolie (niet meegeleverd) om de ketting te smeren. Geef het smeermiddel de tijd om tussen de schakels te penetreren, en veeg vervolgens het oppervlak van de ketting droog
- Verwijder vetresten van de andere componenten, zo nodig met gebruik van terpentijn, en breng vervolgens een laag licht universeel vet (niet meegeleverd) aan
- De werktafel en verlengtafel kunnen worden bedekt met een zeer dunne laag smeerwas (niet meegeleverd) om het oppervlak te beschermen tegen roest en soepele invoer tijdens gebruik te bevorderen

De cilinderbehuizing opnieuw uitlijnen

- Test de uitlijning van de messen door twee stukken door elke kant (links en rechts) van de vandiktebank te voeren
 - Meet en vergelijk de resultaten om te controleren dat de messen goed zijn uitgelijnd en/of bepaal de vereiste mate van correctie
 - Het corrigeren van scheefstand werkt als volgt:
1. Schakel de vandiktebank uit en verwijder de stekker uit het stopcontact
 2. Plaats de vandiktebank voorzichtig met de onderkant naar boven
 3. Verwijder de schroeven op de horizontale spindelbevestigingsbeugel aan de kant van de handslinger (9) van de vandiktebank (Afbeelding D)
 4. Ontkoppel voorzichtig de tandwielen (Afbeelding E)
 5. Draai indien nodig de handslinger langzaam om de cilinderbehuizing naar boven of beneden te bewegen om hem op de verticale schroef te herpositioneren
 6. Draai indien nodig de handslinger vooruit of achteruit om de scheefstand te corrigeren. Elke volledige draai van de handslinger creëert een aanpassing van 1,5 mm

7. Breng de tandwielen weer in contact met elkaar en monteer de horizontale spindelbevestigingsbeugel opnieuw
8. Plaats de vandiktebank voorzichtig weer recht op
9. Laat het gereedschap proefdraaien om te controleren dat de cilinderbehuizing nu waterpas is
10. Herhaal het correctieproces als verdere aanpassingen nodig zijn

Controleren en vervangen van de messen

Inspectie van de messen:

1. De mesbeschermer (17) bevindt zich aan de achterkant van de vandiktebank. Draai de mesbeschermschroeven (16) aan beide kanten los en verwijder het paneel (Afbeelding F)
2. Identificeer de snijkop binnen in en de TWEE scherpe messen op de snijkop
3. Draai zonder de messen aan te raken de snijkop voorzichtig tot de zelfkoppelende grendel klikt en de snijkop vergrendelt
4. Gebruik de zeskantsleutel (15) om de zes bouten op de mesbeschermer te verwijderen (Afbeelding G)
5. Verwijder met gebruik van de twee magneten (19) voorzichtig de mesbeschermsplaat
6. Gebruik vervolgens de magneten om het mes te verwijderen
7. Inspecteer het mes op tekenen van slijtage of schade. Een mes dat stomp of versleten, gekerfd, gescheurd of oneffen is kan resulteren in een slechte prestatie zoals een wazige nerf, afgesplinterde nerf, opstaande nerf, opstaande rand en onregelmatige snede

Vervanging van een mes:

Opmerking: Vervang messen alleen in paren.

Opmerking: Gebruik een nieuw mes nooit in combinatie met een oud mes op de snijkop. Combineer nooit messen met een verschillende mate van slijtage. Gebruik nooit een mes waarvan de kanten ongelijkmatig versleten zijn en gebruik nooit andere messen dan de messen die door de fabrikant worden gespecificeerd.

1. Gebruik de magneten (19) om het nieuwe mes op te pakken en op de snijkop te plaatsen
2. Plaats het mes zodanig dat het stevig op de twee pennen zit
3. Gebruik de magneten om de beschermplaat weer op de messen te plaatsen
4. Breng de beschermplaat opnieuw aan zodat de zes montagegaten uitgelijnd zijn met de gaten op de snijkop
5. Draai vast aan en bevestig met de zes bouten

Inspectie en vervanging van het tweede mes:

1. Het andere mes is bereikbaar door voorzichtig aan de grendel aan de andere kant van de snijkop te trekken en deze grendel vast te houden om het mes vrij te geven (Afbeelding H)
2. Zodra de snijkop draait, kan de grendel worden losgelaten
3. Draai de snijkop zonder de messen aan te raken tot de zelfkoppelende grendel klikt om de kop weer te vergrendelen
4. Herhaal de meswisselingsprocedure voor de controle en vervanging van het tweede mes

Controleren en vervangen van de borstels

- In de loop van de tijd kunnen de koolstofborstels in de motor versleten raken
- Zeer versleten borstels kunnen verlies aan vermogen, periodieke storing of zichtbare vonken veroorzaken
- Het leven van borstels varieert en hangt af van de motorbelasting. Inspectie van de borstels na elke 100 uur gebruik wordt aanbevolen
- Vervang de borstels als de lengte van het koolstof tot minder dan 9,5 mm (3/8") versleten is, de veren versleten zijn of als u verlies van prestatie van de motor waarneemt
- Vervang uitsluitend met nieuwe onderdelen en vervang altijd beide borstels
- Inspectie en vervanging van de borstels:
 1. Schroef de koolstofborstel-toegangsdpod (14) aan beide kanten van de motor los
 2. Verwijder de borstels en controleer op slijtage
 3. Voer zo nodig nieuwe borstels in en breng de toegangsdpod weer aan

Vervanging van de aandrijfband

- Door onvoldoende spanning in de bandaandrijving kan de band slippen. Een losse band moet worden vervangen
1. Schakel de vandiktebank uit en verwijder de stekker uit het stopcontact
 2. Verwijder de handslinger (9), maak de zijpaneelschroeven (2) los en verwijder ze (Afbeelding I) zodat u het zijpaneel kunt verwijderen. Hierdoor hebt u toegang tot de bandaandrijving (Afbeelding J)
 3. Verwijder de kap van de bovenste riemschijf (Afbeelding K)
 4. Verwijder de oude band door de band van elk van de riemschijven af te laten lopen. Trek de band voorzichtig naar buiten terwijl u tegelijkertijd de riemschijven draait (Afbeelding L)

Opmerking: De riemschijven van de aandrijfband kunnen worden gedraaid door de rode zelfkoppelende grendel vast te houden, zodat de riemschijven niet vergrendeld raken.

5. Vervang met een nieuwe band door de band op de riemschijven te laten lopen op de omgekeerde wijze als bij het verwijderen van de versleten band
6. Zorg ervoor dat de band gelijkmatig op de groeven van de riemschijf zit
7. Breng het zijpaneel en de handslinger opnieuw aan en bevestig ze

Opslag

- Berg dit gereedschap en de accessoires na gebruik op in de koffer en op een droge, veilige plaats buiten het bereik van kinderen

Contact

Voor technische ondersteuning of voor reparatieadvies, gelieve contact op te nemen met de hulplijn op (+44) 1935 382 222

Web: www.tritontools.com

VK-Adres:

Toolstream Ltd.
Boundary Way
Lufton Trading Estate
Yeovil, Somerset
BA22 8HZ, Verenigd Koninkrijk

EU-Adres:

Toolstream B.V.
Hogeweg 39
5301 LJ Zaltbommel
Nederland

Verwijdering en afvoer

Bij de verwijdering van elektrische machines neemt u de nationale voorschriften in acht.

- Elektrische en elektronische apparaten en accu's mogen niet met uw huishoudelijk afval worden weggegooid
- Neem contact op met uw gemeente voor informatie betreffende de verwijdering van elektrisch gereedschap.

Probleemopsporing

Probleem	Mogelijke oorzaak	Oplossing
Oververhitte motor	Motor overbelast	Verminder belasting van de motor. Schakel het gereedschap uit tot de motor afkoelt
	Overmatig opgebouwd stof wat resulteert in verminderde circulatie	Verwijder opgebouwd stof
Stroomverlies	Stroomonderbreker geactiveerd	Schakel netvoeding uit en druk op de resetschakelaar van de stroomonderbreker
Regelmatig activeren van stroomonderbreker	Motor overbelast	Verminder belasting motor
	Onvoldoende capaciteit van stroomonderbreker	Vervang met juiste stroomonderbreker
	Overbelasting circuit	Verminder belasting circuit
Onregelmatige sneden	Messen zijn stomp	Laat de messen slijpen door een gekwalificeerde persoon/professional of vervang de messen
	Onvoldoende steun voor werkstuk	Steun lang werkstuk met extra platform
	Messen zijn stomp	Laat de messen slijpen door een gekwalificeerde persoon/professional of vervang de messen
	Ongelijkmatige kracht op snijkop	Duw werkstuk langzaam tijdens bewerking
	Cilinderbehuizing (1) is niet parallel met tafel	Pas niveau tafel en cilinderbehuizing correct aan
Werkstukken zijn niet correct met elkaar uitgelijnd	Breng de werkstukken in lijn met elkaar naarmate ze door de vandiktebank bewegen	
Geschaafd oppervlak niet glad	Messen zijn stomp	Laat de messen slijpen door een gekwalificeerde persoon/professional of vervang de messen
	Vage nerf vanwege hoog vochtgehalte in het hout	Gebruik droog hout
	Gescheurde nerf omdat de messen tegen de nerf in snijden	Verander richting en voer werkstuk langs de nerf in
	De snede is te diep	Verminder de diepte van de snede
	Ongelijkmatige dikte aan elke kant	Cilinderbehuizing staat niet waterpas op het voetstuk van de vandiktebank. Uitlijning cilinderbehuizing aanpassen
Problemen met instellen hoogte cilinderbehuizing	Grendel cilinderbehuizing is gesloten	Ontsluit grendel cilinderbehuizing
	Versleten verhogingsschroeven	Vervang verhogingsschroeven
	Vuile verhogingsschroeven	Reinig en smeer verhogingsschroeven
	Cilinderbehuizing staat niet parallel met de tafel	Lijn de cilinderbehuizing opnieuw uit
	Onvoldoende capaciteit van stroomonderbreker	Cilinderbehuizing reinigen en instellen

Garantie

Om uw garantie te registreren, gaat u naar onze website op tritontools.com* en voert u uw gegevens in.

Aankoopgegevens

Datum van aankoop: ___/___/___

Model: TPT125

Bewaar uw aankoopbon als aankoopbewijs

Triton Precision Power Tools garandeert de koper van dit product dat indien een onderdeel defect is vanwege fouten in materiaal of uitvoering binnen 3 jaar na de datum van de oorspronkelijke aankoop, Triton het defecte onderdeel gratis repareert of, naar eigen inzicht, vervangt.

Deze garantie heeft geen betrekking op commercieel gebruik en strekt zich niet uit tot normale slijtage of schade ten gevolge van een ongeluk, verkeerd gebruik of misbruik.

* Registreer online binnen 30 dagen.

Algemene voorwaarden van toepassing.

Traduction des instructions originales

Introduction

Nous vous remercions d'avoir choisi ce produit Triton. Ces instructions contiennent les informations nécessaires au fonctionnement efficace et sûr de ce produit. Ce produit possède des caractéristiques uniques et, même si vous êtes familiarisé avec des produits similaires, il est nécessaire de lire attentivement ce manuel pour vous assurer de bien comprendre les instructions. Gardez ce manuel à portée de main et assurez-vous que tous les utilisateurs l'aient lu et bien compris avant toute utilisation.

Description des symboles

La plaque signalétique figurant sur votre produit peut présenter des symboles. Ces symboles constituent des informations importantes relatives au produit ou des instructions concernant son utilisation.



Port de protections auditives
Port de protections oculaires
Port de protections respiratoires
Port du casque



Port de gants



AVERTISSEMENT - Pour limiter les risques de blessures, l'utilisateur doit impérativement lire et comprendre ce manuel avant d'utiliser le produit.



Port de vêtements de sécurité



Construction de classe I (mise à la terre)



NE PAS utiliser sous la pluie ou dans un environnement humide !



AVERTISSEMENT: les pièces mobiles peuvent occasionner des écrasements et coupures.



ATTENTION à l'effet de rebond !



Pour usage intérieur uniquement !



Protection de l'environnement

Les outils et appareils électriques usagés ne doivent pas être jetés avec les ordures ménagères. Veuillez les recycler dans les centres prévus à cet effet. Pour plus d'informations, veuillez contacter votre municipalité ou point de vente.



AVERTISSEMENT CE PRODUIT EST LOURD

Ne pas porter sans se faire aider, risque de blessures. Faites-vous aider pour déplacer ou le soulever le produit.
AVERTISSEMENT : ce produit est lourd et deux personnes sont ainsi nécessaires à l'assemblage de celui-ci.




Conforme à la réglementation et aux normes de sécurité pertinentes

Abréviations pour les termes techniques

V	Volt(s)
~	Courant alternatif
A, mA	Ampère(s), Milliampère(s)
n_0	Vitesse à vide
Ø	Diamètre
°	Degré(s)
Hz	Hertz
W, kW	Watt(s), Kilowatt(s)
min ⁻¹	Opération(s) par minute
coupes/min	Coupe(s) par minute (coupes/min)
dB (A)	Puissance acoustique en décibel (A pondéré)
m/s ²	Mètres par seconde au carré (magnitude des vibrations)

Caractéristiques techniques

N° de modèle :	TPT125
Tension d'entrée :	220-240 V~, 50/60 Hz
Puissance :	1 100 W
Coupes par minute :	17 500 coupes/min
Vitesse à vide :	8 750 min ⁻¹
Hauteur de rabotage :	3,2 - 152 mm
Largeur de rabotage :	317 mm
Longueur de rabotage min. :	380 mm
Diamètre de la table :	317 x 597 mm

Diamètre de la tubulure d'extraction des poussières :	Interne : 48 mm Externe : 53 mm
Classe de protection :	
Indice de protection :	IP20
Poids :	22,2 kg
Du fait de l'évolution constante de notre développement produit, les caractéristiques des produits Triton peuvent changer sans notification préalable.	
Informations sur le niveau sonore et vibratoire	
Pression acoustique L_{pA} :	90,9 dB (A)
Puissance acoustique L_{WA} :	103,9 dB (A)
Incertitude K :	3 dB (A)
L'intensité sonore peut dépasser 85 dB (A) et il est nécessaire que l'utilisateur prenne des mesures de protection sonore.	

⚠ AVERTISSEMENT : portez toujours des protections auditives lorsque le niveau d'intensité est supérieur à 85 dB (A) et limitez le temps d'exposition si nécessaire. Si l'intensité sonore devient inconfortable, même avec les protections, arrêtez immédiatement d'utiliser l'appareil, vérifiez que les protections sont bien en places et adaptés avec le niveau sonore produit par l'appareil.

⚠ AVERTISSEMENT : l'exposition de l'utilisateur aux vibrations peut entraîner une perte du toucher, des engourdissements, des picotements et ainsi réduire la capacité de préhension. De longues expositions peuvent également provoquer ces symptômes de façon chronique. Si nécessaire, limitez le temps d'exposition aux vibrations et portez des gants anti-vibrations. N'utilisez pas cet appareil lorsque la température de vos mains est en dessous des températures normales, car l'effet vibratoire en est accentué. Référez-vous aux chiffres indiqués dans les caractéristiques techniques relatifs aux vibrations pour calculer le temps et la fréquence d'utilisation de l'appareil.

⚠ AVERTISSEMENT : l'émission de vibrations effective au cours de l'utilisation de l'appareil peut différer de la valeur totale déclarée en fonction de la manière dont l'outil est utilisé. Il sera utile d'identifier les mesures de sécurité afin de protéger l'utilisateur en fonction de l'estimation de l'exposition en conditions réelles d'utilisation (en prenant en compte toutes les phases du cycle de fonctionnement telles que les périodes où l'appareil est éteint, lorsqu'il est allumé mais inactif, en plus du temps de déclenchement).

La valeur totale des vibrations déclarée a été mesurée conformément à une méthode d'essai normalisée et permet de comparer un appareil à un autre. La valeur totale des vibrations déclarée peut également être utilisée lors d'une évaluation préliminaire d'exposition.

Les niveaux sonores et vibratoires indiqués dans la section « Caractéristiques techniques » du présent manuel sont déterminés en fonction de normes internationales.

Ces données correspondent à un usage normal de l'appareil, et ce dans des conditions de travail normales. Un appareil mal entretenu, mal assemblé ou mal utilisé peut augmenter les niveaux sonores et vibratoires. Le site <http://osha.europa.eu/fr> offre de plus amples informations sur les niveaux sonores et vibratoires sur le lieu de travail, celles-ci pourront être utiles à tout particulier utilisant des appareils électriques pendant des périodes prolongées.

Consignes générales de sécurité

⚠ AVERTISSEMENT ! Le non-respect des instructions et consignes de sécurité peut entraîner un risque de décharge électrique, d'incendie et/ou se traduire par des blessures graves. Veuillez lire toutes les consignes de sécurité et toutes les instructions dispensées dans le présent manuel.

⚠ AVERTISSEMENT : ce produit n'est pas conçu pour être utilisé par des personnes (enfants compris) ayant des capacités physiques ou mentales réduites, ou n'ayant pas la connaissance ou l'expérience requise, à moins d'être sous la supervision d'une personne responsable de leur sécurité ou d'avoir reçu les instructions nécessaires. Les enfants ne doivent pas s'approcher et jouer avec ce produit.

⚠ AVERTISSEMENT : utiliser l'outil électrique, les accessoires et les outils à monter, etc., conformément à ces instructions et selon l'utilisation prévue pour le type d'outil donné, en tenant compte des conditions de travail et de la tâche à réaliser. Toute utilisation de cet appareil électrique autre que celle pour laquelle il a été conçu peut entraîner des situations à risque et entraînerait une annulation de sa garantie.

L'expression « outil électrique » employée dans les présentes consignes recouvre aussi bien les outils (filaires) à brancher sur le secteur que les outils (sans fils) fonctionnant sous batterie.

- Maintenir une zone de travail propre.** Des zones encombrées et mal éclairées sont sources d'accidents.
- Prendre en compte la zone de travail.**
 - Ne pas exposer les outils électriques à la pluie.
 - Ne pas utiliser les outils électriques dans des endroits humides.
 - Travailler dans une zone bien éclairée.
 - Ne pas utiliser d'outils électriques dans des environnements explosifs, tels qu'à proximité de liquides, de gaz ou de poussières inflammables.
- Éviter les décharges électriques.** Éviter le contact corporel avec les surfaces mises à la terre telles que tuyaux, radiateurs, cuisinières et réfrigérateurs.
- Éloigner les personnes aux alentours.** Ne laisser aucune personne dont la présence n'est pas nécessaire, surtout les enfants, s'approcher de la zone de travail et d'être en contact avec l'outil.
- Ranger les outils électriques.** Ranger les outils inutilisés dans un endroit sûr, sec et hors de portée des enfants.
- Ne pas forcer sur l'outil électrique.** Un outil électrique adapté et employé au rythme pour lequel il a été conçu permettra de réaliser un travail de meilleure qualité et dans de meilleures conditions de sécurité
- Utiliser l'outil électrique approprié au travail à effectuer.** Ne pas utiliser de petits outils pour de tâches intensives.

Ne pas utiliser un outil sur des tâches pour lesquelles il n'a pas été conçu ; par exemple, ne pas utiliser une scie circulaire pour couper les bûches de bois.

8 Porter des vêtements appropriés.

- Ne pas porter de vêtements amples ou des bijoux pendants qui peuvent être happés par les pièces en rotation.
- Le port de chaussures de sécurité est recommandé en extérieur.
- Attacher et protéger les cheveux longs.

9 Porter un équipement de protection approprié.

- Utiliser des protections oculaires.
- Porter un masque à poussières lors de travaux créant de la poussière.

⚠ AVERTISSEMENT : le fait de ne pas porter d'équipements de protection personnelle appropriés peut entraîner des blessures graves.

10 **Brancher un système d'extraction de la poussière.** Si l'outil est pourvu de dispositifs destinés au raccord d'équipements d'extraction et de récupération de la poussière/sciure, s'assurer qu'ils soient bien fixés et utilisés correctement.

11 **Ne pas maltraiter le cordon électrique.** Ne jamais utiliser le cordon électrique pour porter, tirer ou débrancher l'outil. Protéger le cordon électrique de la chaleur, du contact avec l'essence, des bords tranchants et pièces rotatives. Un cordon électrique endommagé ou entortillé accroît le risque de décharge électrique.

12 **Immobiliser votre travail.** Si possible, utiliser des serre-joints ou un étau pour maintenir la pièce de travail. Si possible, utiliser des serre-joints ou un étau pour maintenir la pièce de travail.

Ne pas essayer d'atteindre une zone hors de portée. Se tenir TOUJOURS en position stable permettant de conserver l'équilibre.

14 Veiller à l'entretien des outils électriques.

- Garder les outils de coupe affûtés et propres. Des outils de coupe bien entretenus, aux tranchants bien affûtés, sont moins susceptibles de se gripper et sont plus faciles à contrôler.
- Suivre les instructions de lubrification et de changement des accessoires.
- Vérifier régulièrement l'état des câbles et les faire réparer/remplacer par un centre agréé si nécessaire.
- Vérifier également l'état des rallonges utilisées.
- Veiller à ce que les poignées et toute surface de préhension de l'outil soient toujours propres, sèches et exemptes d'huile et de graisse.

⚠ AVERTISSEMENT : de nombreux accidents sont dus à l'utilisation d'outils électriques mal entretenus.

15 **Débrancher l'outil électrique.** Lorsque l'outil n'est pas utilisé, ou avant toute opération d'entretien ou de changement d'accessoires, veiller à débrancher l'outil de sa source d'alimentation.

⚠ AVERTISSEMENT : utiliser des accessoires non recommandés par le fabricant peut engendrer des blessures.

16 **Enlever les clés et outils de réglage.** Prendre l'habitude de retirer ces outils avant de mettre l'outil en marche.

17 **Éviter tout démarrage accidentel ou intempestif.** S'assurer que l'interrupteur marche-arrêt soit en position d'arrêt avant de brancher l'outil sur l'alimentation secteur ou d'installer la batterie, de prendre l'outil ou de le transporter.

⚠ AVERTISSEMENT : les démarrages accidentels peuvent entraîner des blessures graves.

18 **Utiliser des rallonges pour l'extérieur.** Lors d'une utilisation de l'outil électrique en extérieur, se servir d'une rallonge appropriée à une utilisation en extérieur. L'utilisation d'une rallonge adaptée permet de réduire le risque de décharge électrique.

19 Rester vigilant.

- Faire preuve de bon sens lors de la manipulation de l'outil.
- Ne pas utiliser un outil électrique lorsque l'on se trouve dans un état de fatigue, sous l'influence de drogues, d'alcool ou de médicaments.

⚠ AVERTISSEMENT : un moment d'inattention pendant l'utilisation d'un outil électrique peut se traduire par des blessures graves.

20 Inspecter les pièces endommagées.

- Avant d'utiliser un outil, toujours vérifier qu'il soit en bon état de marche.
- Vérifier que les éléments rotatifs soient bien alignés et non grippés. S'assurer de l'absence de pièces cassées ou endommagées susceptibles de nuire au bon fonctionnement de l'outil.
- Une protection ou partie défectueuse doit être réparée ou remplacée par un centre agréé, sauf en cas d'indication du manuel.

Les interrupteurs défectueux doivent être remplacés par un centre agréé.

⚠ AVERTISSEMENT : ne pas utiliser un appareil électrique dont la commande ne s'effectue plus par l'interrupteur marche-arrêt. Il est dangereux et doit être réparé.

21 **Utilisez les accessoires recommandés.** Référez-vous au manuel d'utilisation pour connaître les accessoires recommandés.

⚠ AVERTISSEMENT : utiliser des accessoires non recommandés par le fabricant peut engendrer des blessures.

22 **Faire réparer l'outil par une personne qualifiée.** Cet outil est conforme aux normes de sécurité en vigueur. Cela permet de maintenir la sécurité d'utilisation de l'outil électrique et d'éviter des risques considérables pour l'utilisateur.

⚠ AVERTISSEMENT : utiliser uniquement des pièces de rechange identiques.

⚠ AVERTISSEMENT : si le câble d'alimentation est endommagé, le faire remplacer par un centre agréé.

23 **La prise d'un outil électrique doit être adaptée à la prise du secteur.** Ne jamais modifier la prise en aucune façon. Ne jamais utiliser d'adaptateur sur la prise électrique d'outil mis à la terre. Des prises non modifiées, adaptées aux boîtiers de prise de courant, réduiront le risque de décharge électrique.

24 **Si une utilisation de l'outil électrique dans un environnement humide ne peut être évitée, utiliser une alimentation protégée par un disjoncteur différentiel (RCD).** L'utilisation d'un disjoncteur différentiel réduit le risque de décharge électrique.

25 Lorsque utilisé aux États-Unis, en Australie ou en Nouvelle Zélande, il est recommandé que cet appareil soit TOUJOURS alimenté via un disjoncteur différentiel (RCD) ayant un courant résiduel de 30 mA ou moins.

26 Utilisez une rallonge adaptée. Veillez à ce que les rallonges électriques soient toujours en bon état. Lors de l'utilisation d'une rallonge, assurez-vous que celle-ci est adaptée au transport du courant demandé par l'appareil. Un câble sous-dimensionné entraînera une baisse de tension et entraînera une perte de puissance voire la surchauffe du câble. Le tableau ci-dessous indique la taille adaptée en fonction de la longueur du câble et de son ampérage. En cas de doute, utilisez un cordon d'un calibre plus élevé. Plus la valeur du calibre est petite, plus le câble est résistant.

27 Ne laissez jamais un appareil en fonctionnement sans surveillance. Éteignez celui-ci. Ne laissez pas l'appareil sans surveillance tant qu'il n'est pas complètement arrêté.

Même lorsque le produit est utilisé selon son usage conforme et dans le respect des présentes consignes de sécurité, il est impossible d'éliminer tout facteur de risque. À utiliser avec précaution. Si vous n'êtes pas certain de la manière correcte et sûre d'utiliser cet produit, n'essayez pas de l'utiliser.

⚠ AVERTISSEMENT : avant de connecter l'outil à une source d'alimentation (secteur, batterie etc.), vérifiez bien que la tension d'alimentation soit la même que celle indiquée sur la plaque signalétique de l'outil. Une alimentation électrique dont la tension est supérieure à celle indiquée sur l'outil constitue un risque de blessures pour l'utilisateur et de dommages sur l'outil. En cas de doute, ne branchez pas l'outil. L'utilisation d'une source de courant dont la tension est inférieure à celle indiquée sur l'outil peut endommager le moteur.

Table A

Ampérage		Volt(s)	Longueur totale du cordon en mètres			
		120	7,5	15	30,5	46
		240	15	30,5	61	92
Plus de	Pas plus de		Calibre minimum du cordon			
0	6		18	16	16	14
6	10		18	16	14	12
10	12		16	16	14	12
12	16		14	12	Non recommandé	

Consignes de sécurité relatives aux outils de coupe

⚠ AVERTISSEMENT : avant de connecter l'outil à une source d'alimentation (secteur, batterie etc.), vérifiez bien que la tension d'alimentation soit la même que celle indiquée sur la plaque signalétique de l'outil. Une alimentation électrique dont la tension est supérieure à celle indiquée sur l'outil constitue un risque de blessures pour l'utilisateur et de dommages sur l'outil. En cas de doute, ne branchez pas l'outil. L'utilisation d'une source de courant dont la tension est inférieure à celle indiquée sur l'outil peut endommager le moteur.

Utiliser un outil de coupe approprié

- Assurez-vous que votre outil de coupe convient au travail entrepris. Référez-vous toujours à la notice d'informations, ne présumez pas qu'un outil est approprié à la tâche sans faire de vérification préalable.

Protection oculaire

- Portez toujours des protections oculaires appropriées lors de l'utilisation d'outils de coupe.
- Les lunettes ordinaires n'ont pas pour fonction de fournir une protection efficace à l'utilisation de ce produit. Des verres normaux ne résistent pas aux impacts et pourraient se briser.

Protection auditive

- Portez toujours des protections auditives appropriées lorsque le niveau sonore dépasse 85 dB.

Protection respiratoire

- Assurez-vous de porter, ainsi que toute personne à proximité, un masque anti-poussière approprié.

Protection des mains

- Assurez-vous de ne pas approcher vos mains de la lame. Utilisez un bâton poussoir adapté pour les petites pièces à travailler avec l'outil électroporatif adapté.

Tenez compte des personnes autour de vous

- Il relève de l'utilisateur de s'assurer que les personnes se trouvant à proximité de la zone de travail ne soient pas exposées à des niveaux sonores dangereux ou à des concentrations de poussières dangereuses et sont pourvues de dispositifs de protection appropriés.

Objets cachés

- Avant d'effectuer une coupe, vérifiez qu'il ne se trouve aucun corps étranger dans la pièce de travail.
- Ne coupez aucun matériau comportant des corps étrangers à moins d'être certain que l'accessoire installé sur votre appareil convient à ce travail.
- Des fils électriques et des tuyaux peuvent être dissimulés dans les murs, des durites de carburant peuvent être dissimulées dans les panneaux de carrosserie et l'herbe haute peut dissimuler des pierres et du verre. Vérifiez toujours minutieusement la zone de travail avant de commencer la coupe.

Attention aux projections de débris

- Dans certaines circonstances, des éclats de matériau peuvent être projetés à grande vitesse. Il appartient à l'utilisateur de s'assurer que toute personne également présente dans la zone de travail soit protégée contre ces projections.

Installation d'accessoires de coupe

- Assurez-vous que les accessoires de coupe sont correctement et solidement installés avant utilisation et que les clés ou tout autre outil de réglage ont été retirées.
- Utilisez uniquement des accessoires de coupe recommandés pour votre appareil.
- N'effectuez aucune modification sur l'accessoire.
- Assurez-vous que les lames soient affûtées, en bon état et montée proprement.
- Ne jamais essayer d'affûter les lames qui ne sont pas prévues à cet effet. Ceci peut comprendre les lames renforcées et les lames en alliage d'acier ou au tungstène.
- Utilisez uniquement des lames conçues spécifiquement pour cet outil.
- Dans le cas où les lames rencontrent un objet pour lequel celles-ci ne sont pas spécialisées, les lames doivent être changées immédiatement.

Sens d'avancée de l'outil

- Faites avancer la pièce de travail vers la lame ou la fraise, et ce à l'encontre du mouvement de la lame ou de la fraise.

Attention à la chaleur

- Sachez que les outils de coupe ainsi que les pièces de travail peuvent chauffer pendant l'utilisation de l'appareil. Ne tentez pas de changer d'accessoire tant que l'appareil n'a pas complètement refroidi.

Contrôle des poussières/copeaux

- Ne laissez pas la poussière ou des copeaux de métal s'accumuler. La sciure constitue un risque d'incendie et certains copeaux métalliques sont explosifs.
- Faites particulièrement attention lors de la coupe du bois ou du métal à l'aide de machines électriques. Les étincelles causées par la coupe de métal sont une cause courante d'incendies de poussière de bois.
- Dans la mesure du possible, utilisez un système d'extraction de la poussière pour assurer un environnement de travail plus sûr.

Consignes de sécurité relatives aux raboteuses stationnaires

⚠ AVERTISSEMENT : ne jamais utiliser cet appareil sans les dispositifs de sécurité ou si ceux-ci ne sont pas correctement ajustés.

⚠ AVERTISSEMENT : toutes parties tranchantes de l'appareil n'étant pas utilisées pour raboter doivent être couvertes.

⚠ AVERTISSEMENT : lors du rabotage de petites pièces, des mesures de sécurité additionnelles telles que l'usage de dispositifs de pression horizontale, doivent être utilisées pour garantir l'usage en toute sécurité de l'appareil.

⚠ AVERTISSEMENT : les outils et appareils de rabotage ne doivent pas être utilisés pour couper les feuillures, les tenons etc.

- **Portez toujours des protections respiratoires adéquates.** *L'utilisation de cet appareil peut générer de la poussière contenant des produits chimiques pouvant causer le cancer, des malformations congénitales et autres problèmes affectant la reproduction. Certains types de bois contiennent des agents de conservation tels que l'arséniate de cuivre et de chrome (ACC), celui-ci pouvant être toxique. Lors du ponçage, perçage ou la découpe de ces matériaux, prenez davantage de précaution afin d'éviter de respirer les poussières et de minimiser le contact avec la peau.*

- **Utilisez uniquement des fers bien aiguisés.** *Portez des gants anti-coupures lorsque vous manipulez des lames affûtées.*

⚠ AVERTISSEMENT : ne pas utiliser de lames émoussées puisque cela augmente les risques de rebond.

- **Veillez à ce qu'aucuns chiffons, vêtements, cordes, ficelle etc. ne soient présents sur la surface de travail.** *Cela permet d'éviter les risques d'entraînement dans le mécanisme de l'appareil.*
- **Laissez l'outil atteindre sa vitesse maximale avant de mettre les aiguilles en contact avec la surface de travail.**
- **Arrêtez TOUJOURS l'outil et laissez les fers s'arrêter complètement avant d'effectuer tout réglage, le nettoyage ou l'entretien de celui-ci.**
- **Lors du changement de lame, remplacez toujours toutes les lames.** *Le non-respect de cette consigne peut entraîner une perte de balance et ainsi la vibration des lames, et réduire la durée de service de l'appareil.*
- **Ne pas effectuer d'opérations de coupe n'étant pas recommandées par le fabricant de cet appareil.** *Cet outil n'est pas conçu pour effectuer des coupes partielles, recoins, tenons, encoches ou le rabotage de bois excessivement courbé.*
- **Ne pas utiliser l'appareil si celui-ci n'est pas fixé à une surface de travail stable.** *L'appareil pourrait se déplacer brusquement lors de l'opération et ainsi entraîner des blessures graves.*
- **Toujours garder un bâton poussoir à proximité pendant les opérations de rabotage.** *Lors du rabotage de pièces courtes, il convient d'utiliser le bâton poussoir. Utilisez le bâton poussoir pour pousser la pièce lorsque à proximité de la lame et lorsque l'épaisseur de la pièce de travail est inférieure à 75 mm.*
- **Ne jamais travailler avec une pièce de travail ne pouvant être maintenue de manière stable sur la surface de travail de l'outil.**
- **N'effectuez pas d'opérations de rabotage sur un matériau plus court qu'une dimension égale à la longueur de la tête de coupe plus 50 mm, plus étroit que 19 mm, ou plus large que la capacité de la tête de coupe en pouces ou plus fin que 13 mm.**
- **Maintenez les relations correctes entre les surfaces des tables d'entrée et de sortie et la trajectoire des fers de la tête de coupe.**
- **Soutenez adéquatement la pièce de travail à tout moment pendant l'opération ; gardez le contrôle de la pièce à tout moment.**
- **Ne faites pas reculer la pièce vers la table d'alimentation.**

- **N'essayez pas d'effectuer une opération anormale ou peu utilisée sans préparation, ou sans l'utilisation de blocs de maintien/poussée, de gabarits, de supports, de butées, etc. appropriés.**
- **Lors du transport de l'appareil, veillez à utiliser les poignées de transport (non-opérationnelles) et que tous les mécanismes de verrouillage et carters de protections soient positionnés correctement.**

Prévention de l'effet rebond

Remarque : le rebond se produit lorsque la lame se bloque rapidement, à la suite d'un pincement, d'un grippage ou d'un défaut d'alignement, ce qui renvoie la pièce à couper vers l'utilisateur. Il peut également attirer la main de l'utilisateur vers la lame, au risque de blessures graves.

⚠ AVERTISSEMENT : le rebond provient d'une mauvaise utilisation et/ou de procédures ou de conditions inadaptées de manipulation de l'appareil, qui peuvent être évitées en tenant compte des précautions suivantes.

- Ne JAMAIS tenter d'effectuer une coupe avec une lame émoussée ou gauchie.** Assurez-vous TOUJOURS que la lame soit compatible avec le matériau à couper.
- TOUJOURS s'assurer que le guide ou la table est parallèle à la lame.** Si le guide ou la table s'incline légèrement vers la lame, la pièce de travail pourrait rentrer en contact avec l'arrière de la lame.
- Soyez vigilant avec les grands panneaux de bois.** Assurez-vous que les grandes pièces de bois soient bien soutenues au niveau des plateaux d'entrée et de sortie de la table de sciage.
- NE PAS couper des rondins ou pièces qui ne peuvent pas être maintenues à plat sur la table.** Évitez de couper des bois tors, déformés ou présentant des nœuds.
- NE PAS couper de bois humide, car cela entraîne une adhérence plus importante sur la lame.** La sciure humide peut s'accumuler sur la lame, ce qui augmente le risque de rebond.
- TOUJOURS maintenir fermement la pièce à couper, avec les deux mains, et placer les bras de manière à pouvoir résister à l'effet de rebond.**
- Placez-vous toujours d'un côté ou de l'autre de la lame, mais jamais dans son alignement.**
- NE PAS retirer la pièce pendant l'opération.** Si vous devez interrompre l'opération avant qu'elle ne soit finie, éteignez l'appareil et attendez que la lame soit complètement arrêtée avant de retirer la pièce.
- TOUJOURS utiliser un bâton poussoir ou un bloc poussoir afin de guider la pièce de travail sur la lame.** Si possible, utilisez un peigne pour maintenir la pièce contre la surface de la table.

Descriptif du produit

- Tambour à lames
- Vis de fixation du panneau latéral
- Échelle de hauteur
- Pointeur de l'échelle
- Collecteur de poussières

- Vis hexagonales du collecteur de poussières
- Boulon de fixation de la manivelle
- Cache du boulon de fixation de la manivelle
- Manivelle
- Table d'entrée
- Table centrale
- Bouton de réinitialisation du disjoncteur
- Interrupteur marche/arrêt
- Cache d'accès aux balais de charbon
- Clé hexagonale
- Vis hexagonales du cache d'accès à la lame
- Cache d'accès à la lame
- Positions de fixation du collecteur de poussières
- Aimants

Usage conforme

Raboteuse stationnaire électrique pour les travaux de rabotage intensifs sur les feuilles de bois dur et de bois tendre de plus de 380 mm de longueur. Permet de préparer les pièces de forme irrégulière, d'équarrir le bois destiné à l'assemblage de joints, et de dégauchir le bois afin de créer une surface plane et uniforme pour une variété de projets.

Déballage

- Déballer le produit avec soin. Veillez à retirer tout le matériel d'emballage et familiarisez-vous avec toutes les caractéristiques du produit.
- Assurez-vous que toutes les pièces sont présentes et en bon état. Si des pièces sont endommagées ou manquantes, faites-le réparer ou remplacer avant d'utiliser l'appareil.

Avant utilisation

⚠ AVERTISSEMENT : débrancher TOUJOURS l'appareil de sa source d'alimentation avant d'effectuer toute opération de réglage, inspection, entretien ou nettoyage.

⚠ AVERTISSEMENT : portez TOUJOURS des gants de protection anti-coupures (non fournis) lors de la manipulation du tambour à lames (1) et de ses éléments.

Montage sur établi

- Positionnez la raboteuse stationnaire sur une surface de travail plane et stable afin que la table soit horizontale et que l'outil ne puisse se renverser.
- Si la raboteuse est destinée à être utilisée en un endroit défini de manière permanente, il est recommandé de la fixer à un plan de travail rigide de la manière suivante :
 1. Utilisez les trous de la base de la raboteuse (Image A) comme modèle pour marquer et percer quatre trous dans la surface de montage prévue (c'est-à-dire l'établi). Fixez l'unité en position à l'aide de gros boulons, de rondelles et d'écrous (non fournis).
 2. Si la raboteuse est destinée à une utilisation portable, fixez sur son socle une planche qui lui permettra d'être facilement fixée en place à l'aide de pinces de serrage et retirée en vue d'une utilisation sur toute autre surface de montage.

3. Si vous utilisez des boulons, assurez-vous que ceux-ci soient assez longs pour pénétrer dans la surface de l'établi ou dans la planche de manière à permettre une fixation sûre.

Installation de la manivelle

Installez la manivelle (9) en position (voir image principale) sur le côté droit de la raboteuse:

1. Vissez la rondelle ressort sur le boulon de fixation de la manivelle (7).
2. Positionnez la manivelle sur la vis de réglage de la hauteur (Image B).
3. Utilisez le boulon de fixation de la manivelle pour verrouiller la manivelle en position. Utilisez la clé hexagonale (15) pour serrer le boulon.
4. Insérez le cache du boulon de fixation de la manivelle (8) afin de dissimuler le boulon.

Installation du collecteur de poussières

Le collecteur de poussières (5) peut être installé pour récupérer les déchets à chaque extrémité de la raboteuse.

1. Utilisez les deux vis hexagonales du collecteur de poussières (6) pour monter le collecteur de poussières sur le tambour à lames (1) en utilisant les positions de fixation du collecteur de poussières (18) (Image C).
2. Après avoir fixé le collecteur de poussières en position, connectez le tuyau du système d'extraction.
3. Mettez le système d'extraction en marche avant de mettre la raboteuse en marche.

Mise à niveau du tambour à lames

- Le tambour à lames (1) est aligné et inspecté en l'usine. Cependant, celui-ci peut se déplacer lors du transport et de la manipulation de l'outil.
- Si le tambour n'est plus à niveau avec la table centrale (11), cela donnera lieu à une coupe biseauté où l'épaisseur d'un côté de la pièce est différente de l'autre. Cela peut également entraîner une usure inégale des fers/lames.
- Vérifiez que les lames sont alignées correctement en effectuant un essai : passez une pièce à travers le côté droit de la raboteuse, puis une pièce à travers le côté gauche .
- Mesurez l'épaisseur des pièces puis comparez les résultats afin de vérifier que les lames sont bien alignées et/ou afin de déterminer le taux de correction nécessaire.
- Si les lames doivent être réalignées, consultez la section "Entretien - Réalignement du tambour à lames" pour plus d'informations.

Instructions d'utilisation

⚠ AVERTISSEMENT : débranchez TOUJOURS l'appareil de sa source d'alimentation avant d'effectuer toute opération de réglage, inspection, entretien ou nettoyage.

⚠ AVERTISSEMENT : portez TOUJOURS des gants de protection anti-coupures (non fournis) lors de la manipulation du tambour à lames (1) et de ses éléments.

Consignes de sécurité importantes relatives à l'usage de cet outil

- Débranchez l'appareil de la source d'alimentation lors du réglage ou du remplacement de pièces.
- Veillez à ce que l'interrupteur marche/arrêt soit sur la position « OFF » (arrêt) avant de brancher l'outil sur l'alimentation secteur.
- Restez toujours à l'écart des éléments en mouvement.
- Portez des protections oculaires et respiratoires lors de l'utilisation de cet outil.
- Veillez à ce que toutes les parties mobiles de cet appareil puissent se déplacer librement.
- Veillez à utiliser des lames affûtées, alignées et montées correctement.
- Ne JAMAIS mettre l'outil en marche (ON) lorsque les lames sont en contact avec la pièce de travail.
- Lorsque l'appareil n'est pas utilisé, veillez à le déconnecter de la source d'alimentation.
- Veillez à maintenir l'outil en bon état. Toujours suivre les consignes d'entretien fournies dans ce manuel (voir 'Entretien').
- N'utilisez jamais l'outil afin d'effectuer des coupes partielles. Laissez l'outil couper sur toute la longueur de la pièce.
- N'utilisez jamais l'outil pour couper les tenons, les encoches, les moulures, etc.

Sélection de la pièce de travail

- La pièce doit respecter les dimensions minimales et maximales suivantes :
 - I. Épaisseur minimale : 3,2 mm
 - II. Longueur minimale : 380 mm
 - III. Largeur minimale : 19 mm
 - IV. Largeur maximale : 317 mm
- Ne pas utiliser de bois fragile, sec, endommagé ou trop nouveau car celui-ci pourrait casser dans le mécanisme de rabotage et endommagé celui-ci ainsi que le moteur, pouvant entraîner un rebond de la pièce.
- Veillez à ce que le bois utilisé soit exempt de corps étrangers tels que des vis, clous et agrafes. Les corps étrangers peuvent endommager l'outil et présenter un risque de sécurité si éjectés, pouvant causer un rebond de la pièce.
- Ne jamais travailler avec du bois excessivement déformé ou courbé, ou toute pièce ne pouvant être maintenue de manière stable sur la table d'entrée.
- Cette raboteuse est conçue pour travailler avec les matériaux en bois naturel uniquement .
- Éliminez la colle et les corps étrangers hors de la pièce de travail avant de commencer à utiliser la raboteuse.
- Utilisez la largeur complète de la tête de coupe afin d'éviter l'usure inégale des lames.

Ajustement de la hauteur du tambour

- Le tambour à lames (1) rassemble le moteur, la tête de coupe, les lames, ainsi que les galets d'avancée avants et arrières.

- Tournez la manivelle (9) afin d'ajuster la hauteur du tambour à lames. Un tour complet de la manivelle fait monter ou descendre le tambour à lames de 1,58 mm.
- Le pointeur de l'échelle (4) et l'échelle de hauteur (3) fournissent une mesure, métrique et impériale, de la hauteur de la tête de coupe au-dessus de la table centrale (11) - ces mesures correspondent à l'épaisseur approximative de la pièce de travail une fois le rabotage effectué.
- L'échelle de hauteur est calibrée à l'usine. Pour un niveau de précision supérieur, il est recommandé de vérifier les dimensions et mesures à l'aide d'un pied à coulisse ou d'une jauge d'épaisseur électronique avant et après chaque passe.

Réglage de la profondeur de coupe

- Pour protéger le moteur et la tête de coupe, la profondeur de rabotage maximale recommandée par passe est la suivante :

Profondeur de coupe max.	
Largeur de la pièce de travail	Profondeur de coupe max.
Jusqu'à 125 mm	2,38 mm
De 125 mm à 317 mm	1,6 mm

Pour régler la profondeur de coupe :

1. Mesurez l'épaisseur de la pièce de travail, et comparez avec l'épaisseur requise.
2. Consultez le tableau "Profondeur de coupe max." ci-dessus afin de déterminer le nombre de passes requis.
3. Si une seule passe est nécessaire :
 - Utilisez la manivelle pour déplacer le tambour à lames (1) vers le haut ou le bas jusqu'à ce que le pointeur de l'échelle (4) indique l'épaisseur requise sur l'échelle de hauteur (3).
4. Si plusieurs passes sont nécessaires :
 - a) Il est recommandé de diviser l'épaisseur à éliminer en plusieurs passes de même profondeur (approx.).
 - b) Lors de la première coupe et pour toute coupe intermédiaire, réglez la hauteur du tambour à lame sur l'épaisseur de la pièce moins l'épaisseur calculée ci-dessus (a).
 - c) Vérifier les dimensions et mesures à l'aide d'un pied à coulisse ou d'une jauge d'épaisseur électronique avant et après chaque passe.

Mise en marche/arrêt

- L'interrupteur marche/arrêt (13) est situé à l'avant de la raboteuse.
- Pour mettre l'outil en marche, appuyez sur l'interrupteur vert 'I'.
- Pour arrêter l'outil, appuyez sur l'interrupteur rouge '0'.

Fonctionnement du disjoncteur

- Un disjoncteur est installé sur le côté gauche de l'interrupteur marche/arrêt (13) (Image M).
- Lorsqu'un courant électrique excessif est détecté, le disjoncteur s'enclenche et coupe l'alimentation afin de protéger le moteur de la raboteuse.
- Avant de réinitialiser le disjoncteur, vérifiez le moteur, l'interrupteur et les connexions électriques à la recherche de courts-circuits et d'éléments défectueux.

- Pour réinitialiser le disjoncteur :
 - Appuyez sur le bouton rouge (0) pour éteindre l'appareil.
 - Appuyez sur le bouton de réinitialisation du disjoncteur (12).

Instructions d'utilisation de la raboteuse

⚠ AVERTISSEMENT : portez TOUJOURS des équipements de protection adéquats tels que des protections oculaires, des protections respiratoires et auditives, lorsque vous travaillez avec cet appareil.

- Pour de meilleurs résultats, déterminez la profondeur de coupe requise ainsi que l'épaisseur finale de la pièce de travail avant de commencer le rabotage. La profondeur de coupe est limitée (voir profondeur max. indiqué dans les 'Caractéristiques techniques'), et il est donc possible que plusieurs passes soient requises afin d'obtenir le résultat final.
- En général, les coupes fines produisent de meilleurs résultats en termes de finition, uniformité de l'épaisseur, réduction de l'effet rebond, réduction de l'usure de la lame et du moteur.
- Pour éviter le rebond, ne faites jamais de coupes plus profondes que 2,4 mm en une seule passe.
- Si plusieurs passes sont nécessaires, le tambour à lames (1) doit être abaissé manuellement avant chaque passe.
- Veillez à toujours régler la raboteuse sur une profondeur de coupe faible lors de la coupe de bois dur, les pièces larges et les pièces dont la surface est inégale.
- Évitez d'utiliser du bois excessivement nouveau, tordu, courbé sur les bords, ou déformé.
- Si nécessaire, utilisez une dégauchisseuse afin de préparer au moins une face de la pièce de travail avant de l'utiliser avec la raboteuse.
- Rabotez les deux côtés de la pièce de travail (moitié de la profondeur requise sur chaque côté). Cela permet de produire une finition uniforme sur les deux côtés, avec une teneur en humidité égale et ainsi une planche moins susceptible de se déformer lorsqu'elle sèche naturellement.
- Effectuez une coupe d'essai avec un matériau similaire afin de vérifier la précision des réglages, avant de commencer à travailler avec la pièce finale.
- Dans la mesure du possible, avancez la pièce dans le sens du grain.
- Apportez un support supplémentaire aux pièces de travail longues et/ou larges.

1. Réglez la profondeur de coupe de la raboteuse (voir 'Réglage de la profondeur de coupe' ci-dessus).
2. Positionnez-vous sur le même côté que la manivelle (9). Ne vous tenez jamais dans la trajectoire de la pièce de travail, et ne laissez personne se tenir ou traverser la trajectoire de la pièce lorsque les lames sont en mouvement. Le rebond ainsi que les débris peuvent se projeter dans cette direction.
3. Positionnez la pièce de travail fermement contre la table d'entrée (10), avec le côté à raboter vers le haut.
4. Mettez l'outil en marche et laissez-le atteindre sa vitesse nominale.

5. Tout en maintenant la pièce fermement contre la surface de la table, avancez celle-ci lentement vers le boîtier de la tête de coupe.

Remarque : ne jamais avancer la pièce de travail dans la raboteuse par le biais de la table de sortie.

6. Arrêtez de pousser la pièce de travail lorsque celle-ci s'engage sous la tête de coupe. La pièce de travail se déplacera alors automatiquement à travers la raboteuse.
7. Ne forcez pas la coupe. Le ralentissement ou l'arrêt entraînera la surcharge et surchauffe du moteur.
8. Tenez toujours les mains à l'écart des lames et de la trajectoire d'éjection des copeaux et débris lorsque le moteur est en marche.
9. Supportez le poids des pièces de travail larges lorsqu'elles se déplacent à travers la raboteuse afin de les stabiliser et d'éviter le rotabage inégale de celles-ci.
10. Déplacez-vous à l'arrière de l'outil afin de réceptionner la pièce de travail. Ne tirez pas sur la pièce de travail ; laissez les galets d'avancée sortir la pièce lentement et progressivement.
11. Si une pièce de travail venait à se bloquer dans la raboteuse, éteignez l'outil, débranchez-le de l'alimentation électrique, relevez le tambour à lames et LAISSEZ LA RABOTEUSE S'ARRÊTER COMPLÈTEMENT.
12. N'essayez jamais d'atteindre la zone de coupe lorsque l'outil est en marche ou en cours d'arrêt.
13. Utilisez les roulements d'entrée et de sortie, et supportez les pièces de grande taille.
14. Pour un niveau de précision supérieur, il est recommandé de vérifier les dimensions et mesures à l'aide d'un pied à coulisse ou d'une jauge d'épaisseur électronique avant et après chaque passe.

Accessoires

- Une gamme complète d'accessoires, y compris des fers/lames pour raboteuses, est disponible auprès de votre revendeur Triton.
- Vous pouvez également commander des pièces de rechange sur toolsparsonline.com.

Entretien

⚠ AVERTISSEMENT : débranchez l'outil de sa source d'alimentation avant toute opération de nettoyage ou d'entretien.

⚠ AVERTISSEMENT : portez TOUJOURS des gants de protection anti-coupures (non fournis) lors de la manipulation du tambour à lames (1) et de ses éléments.

Remarque : en cas d'usure ou d'endommagement nécessitant une réparation, celle-ci ne doit être réalisée que par le fabricant ou qu'auprès d'un centre de réparation agréé Triton.

Remarque : ne faire réparer l'outil électrique que par un réparateur qualifié utilisant uniquement des pièces de rechange identiques. Cela permettra d'assurer la sécurité continue de cet appareil électrique.

- Cet outil est fabriqué à partir de composants de première qualité et équipé des dernières avancées en ingénierie intelligente afin de protéger l'outil et ses composants. Une utilisation normale procure une bonne durabilité de l'outil.

Nettoyage et lubrification

- Gardez l'appareil propre en permanence. La poussière et la saleté provoquent l'usure rapide des éléments internes de l'appareil et peuvent réduire la durée de vie de celui-ci. Utilisez une brosse souple ou un chiffon sec pour le nettoyage. Si possible, nettoyez les orifices de ventilation à l'air comprimé propre et sec.
- Après utilisation, utilisez un aspirateur pour éliminer les copeaux, la poussière et les débris.
- Utilisez une solution de nettoyage (non fournie) afin d'éliminer les résidus de résine et de graisse présents sur l'outil.
- Retirez également les copeaux, la poussière et les débris présents sur la courroie, les engrenages et les parties mobiles de l'outil.
- Les roulements du moteur et de l'unité de coupe sont scellés en usine et ne devraient donc pas nécessiter de lubrification.
- Quatre éléments de l'outil doivent être lubrifiés régulièrement :
 - o Mécanismes à vis verticaux du tambour à lames (x 2)
 - o Verrouillage à came du tambour à lames
 - o Rails verticaux du tambour à lames (x 4)
 - o Chaîne de transmission du galet d'avancée
- Afin d'accéder à ces éléments, retirez les panneaux supérieures et latéraux.
- Nettoyez la chaîne de transmission avant de la lubrifier. Utilisez un pulvérisateur d'huile (non fourni) afin de lubrifier la chaîne. Laissez le lubrifiant pénétrer entre les maillons de la chaîne, puis essuyez la surface de celle-ci.
- Éliminez les résidus de graisse présents sur les éléments de l'outil, à l'aide d'essence minérale si nécessaire, puis appliquez une couche de graisse multi-usage (non fournie).
- Les tables d'entrée, de coupe et de sortie peuvent être revêtue d'une couche très fine de cire à lubrifier (non fournie) afin de les protéger contre la rouille et de faciliter la glisse de la pièce de travail.

Réalignement du tambour à lames

- Afin de vérifier l'alignement correct du tambour et de ses lames, passez une pièce à travers le côté droit de la raboteuse, puis une pièce à travers le côté gauche.
- Mesurez l'épaisseur des pièces puis comparez les résultats afin de vérifier que les lames sont bien alignées et/ou afin de déterminer le taux de correction nécessaire.
- Pour corriger tout désalignement :
 1. Éteignez la raboteuse et débranchez-la de sa source d'alimentation.
 2. Placez délicatement la raboteuse sur son dos.
 3. Retirez les vis du support de retenue de l'axe horizontal du côté de la manivelle (9) de la raboteuse (Image D).
 4. Désengagez les engrenages avec précaution (Image E).
 5. Tournez lentement la manivelle pour soulever ou abaisser le tambour à lames selon le besoin pour le repositionner sur la vis verticale.
 6. Tournez la manivelle vers l'avant ou l'arrière si nécessaire, afin de corriger le désalignement. Chaque tour complet de la manivelle permet d'effectuer un réglage de 1,5 mm.

- Réengagez les engrenages et remettez en place le support de retenue de l'axe horizontal.
- Remettez délicatement la raboteuse en position verticale.
- Effectuez un essai de fonctionnement pour vérifier que le tambour à lames est à présent parfaitement à niveau.
- Répétez le processus de correction si un ajustement supplémentaire est nécessaire.

Inspection et remplacement des lames

Inspection des lames :

- Repérez le cache d'accès à la lame (17) au dos de la raboteuse. Dévissez puis retirez les vis du cache d'accès à la lame (16) de chaque côté du cache, puis retirez celui-ci (Image F).
- Repérez la tête de coupe à l'intérieur, et les 2 lames affûtées situés sur la tête.
- Sans toucher les lames, pivoter la tête de coupe avec précaution jusqu'à ce que le loquet automatique s'engage (clic) et verrouille la tête de coupe.
- Utilisez la clé hexagonale (15) afin de desserrer et retirer les six boulons de la plaque de protection de la lame (image G).
- À l'aide des deux aimants (19), retirez la plaque de protection de la lame avec précaution.
- Utilisez ensuite les aimants pour retirer la lame.
- Examinez la lame à la recherche de tout signe d'usure ou de dommage. Une lame émoussée, usée ou déformée peut affecter la qualité de la finition et entraîner de faibles performances de coupe quant au grain, aux bords, et à la surface de la pièce.

Remplacement d'une lame :

Remarque: remplacez TOUJOURS les lames par paire.

Remarque: Ne jamais installer une seule lame neuve aux côtés d'une lame usée sur la tête de coupe. Ne jamais utiliser de lames avec un taux d'usure différent. Ne jamais utiliser une lame dont le taux d'usure est différent d'un côté à l'autre et n'utilisez jamais de lames autres que celles spécifiées par le fabricant de l'outil.

- Utilisez les aimants (19) afin de positionner la nouvelle lame sur la tête de coupe.
- Positionnez la lame sur les deux broches de positionnement.
- Utilisez les aimants pour replacer le cache d'accès.
- Remontez le cache d'accès de sorte que les six trous de fixation soient alignés avec les trous de la tête de coupe.
- Serrez et fixez avec les six boulons.

Inspection et remplacement de la seconde lame :

- Pour accéder à la seconde lame, poussez et maintenez le loquet sur le côté de la tête de coupe afin de déverrouiller celle-ci (Image H).
- Une fois que la tête de coupe pivote, relâchez le loquet.
- Sans toucher les lames, pivoter la tête de coupe avec précaution jusqu'à ce que le loquet automatique s'engage (clic) et verrouille à nouveau la tête de coupe.
- Répétez la procédure de changement de lame pour vérifier et remplacer la deuxième lame.

Inspection et remplacement des balais de charbon

- Avec le temps, les balais de charbon du moteur s'usent.
- Si les balais sont excessivement usés, le rendement du moteur peut diminuer, l'outil peut ne pas démarrer ou une quantité anormale d'étincelles peut être observée.
- La durée de service des balais peut varier, en fonction de la charge appliquée sur le moteur. Il est recommandé de vérifier l'état des balais de charbon toutes les 100 heures d'usage.
- Remplacez les balais si la longueur du charbon est inférieure à 9,5 mm, ou si les ressorts sont usés, ou si vous avez remarqué une perte de performance au niveau du moteur.
- Remplacez toujours les deux charbons en même temps, avec de nouveaux balais de charbon.
- Pour inspecter et remplacer les balais :
 - Dévissez les caches d'accès aux balais de charbon (14) situés des deux côtés du moteur.
 - Retirez les balais et vérifiez le taux d'usure de chacun.
 - Insérez les nouveaux balais, et remplacez les caches d'accès.

Remplacement de la courroie de transmission

- Une tension inadéquate de la courroie de transmission entraînera le glissement de la courroie. Une courroie lâche doit être remplacée.
- Éteignez la raboteuse et débranchez-la de sa source d'alimentation.
 - Désinstallez la manivelle (9), puis dévissez et retirez les vis de fixation du panneau latéral (2) (Image I) afin de pouvoir déplacer le panneau latéral. Cela permet d'accéder à la courroie de transmission (Image J).
 - Retirer le cache de la poulie supérieure (Image K).
 - Retirez l'ancienne courroie en la faisant sortir alternativement de chacune des poulies. Tirez sur la courroie avec précaution tout en pivotant les poulies (Image L).

Remarque : pour pivoter les poulies de la courroie de transmission, il est nécessaire de maintenir le loquet automatique rouge, afin que les poulies ne se verrouillent pas en position.

- Remplacez la courroie par une courroie neuve en la faisant passer sur les poulies de la manière inverse de celle utilisée pour retirer la courroie usée.
- Veillez à ce que la courroie soit bien alignée sur les rainures des poulies.
- Replacez et verrouillez le panneau latéral ainsi que la manivelle.

Rangement

- Rangez cet équipement et ses accessoires après usage dans leur boîte, dans un endroit sec, sûr et hors de portée des enfants.

Contact

Pour tout conseil technique ou réparation, veuillez nous contacter au (+44) 1935 382 222.

Site web : www.tritontools.com

Adresse (GB) :

Toolstream Ltd.
Boundary Way
Lufton Trading Estate
Yeovil, Somerset
BA22 8HZ, Royaume-Uni

Adresse (UE) :

Toolstream B.V.
Hogeweg 39
5301 LJ Zaltbommel
Pays-Bas

Recyclage

- Lorsque l'outil n'est plus en état de fonctionner et qu'il n'est pas réparable, recyclez celui-ci conformément aux réglementations nationales.
- Ne jetez pas les outils électriques, batteries et autres déchets d'équipements électriques ou électroniques (DEEE) avec les ordures ménagères.
- Contactez les autorités locales compétentes en matière de gestion des déchets pour vous informer de la procédure à suivre pour recycler les outils électriques.

En cas de problème

Problème	Cause	Solution
Le moteur surchauffe	Surcharge du moteur	Réduisez la charge appliquée sur le moteur. Arrêtez l'outil et laissez le moteur refroidir.
	Accumulation excessive de poussière entraînant une diminution de la circulation	Éliminez l'accumulation de poussière.
Perte de puissance	Le disjoncteur s'est déclenché	Éteignez l'alimentation électrique et appuyez sur le bouton de réinitialisation du disjoncteur.
Le disjoncteur se déclenche fréquemment	Surcharge du moteur	Réduisez la charge appliquée sur le moteur.
	La capacité du disjoncteur est inadéquate	Remplacez le disjoncteur avec un disjoncteur de capacité adaptée.
	Surcharge du circuit	Réduisez la charge appliquée sur le circuit.
	Les lames sont émoussées	Réaffûtez ou remplacez les lames.
Épaisseur de la pièce usinée est différente d'un côté à l'autre	Le support de la pièce de travail est inadapté	Veillez à supporter les pièces longues à l'aide d'une plateforme supplémentaire ou de chevalets.
	Les lames sont émoussées	Remplacez les lames.
	La force appliquée sur la tête de coupe est inégale	Poussez la pièce de travail de manière uniforme lors de la coupe.
	Le tambour à lames (1) n'est pas parallèle avec la table	Ajustez correctement le niveau de la table et du tambour à lames
	Les pièces de travail ne sont pas alignées correctement au moment de la coupe	Veillez à aligner les pièces de travail correctement lorsqu'elles passent à travers la raboteuse.
La surface de la pièce usinée n'est pas lisse	Les lames sont émoussées	Remplacez les lames.
	Grain duveteux dû à la forte teneur en humidité du bois	Utilisez une pièce de bois sèche.
	Grain endommagé par les lames qui coupent contre le sens du grain	Changez la direction d'avancée de la pièce (sens du grain).
	La coupe est trop profonde	Diminuez la profondeur de coupe.
	L'épaisseur de la pièce usinée est différente d'un côté à l'autre	Le tambour à lames n'est pas à niveau avec la table de la raboteuse Ajustez l'alignement du tambour à lames.
L'ajustement de la hauteur du tambour à lames s'effectue avec difficulté	La came de verrouillage du tambour à lames est engagée	Relâchez la came de verrouillage.
	Les vis de réglage de la hauteur sont usées	Remplacez les vis de réglage de la hauteur.
	Les vis de réglage de la hauteur sont sales	Nettoyez et lubrifiez les vis de réglage de la hauteur.
	Le tambour à lames n'est pas parallèle avec la table	Réalignez le tambour à lames.
	La capacité du disjoncteur est inadéquate	Nettoyez et ajustez le tambour à lames.

Garantie

Pour valider votre garantie, rendez-vous sur notre site internet tritontools.com* et saisissez vos coordonnées.

Informations relatives à l'achat

Date d'achat : ____/____/____

Modèle: TPT125

Veuillez conserver votre ticket de caisse comme preuve d'achat.

Si toute pièce de ce produit s'avérait défectueuse du fait d'un défaut de fabrication ou de matériau dans les 3 ANS à compter de la date d'achat, Triton Precision Power Tools s'engage auprès de l'acheteur de ce produit à réparer ou, à sa discrétion, à remplacer gratuitement la pièce défectueuse.

Cette garantie ne s'applique pas lors d'un usage commercial et ne couvre pas l'usure normal du produit ou les dommages liés à un accident, un usage abusif ou un usage non-conforme de l'appareil.

* Enregistrez votre produit en ligne dans les 30 jours suivant la date d'achat.

Offre soumise à conditions.

Ceci n'affecte pas vos droits statutaires.

Übersetzung der Originalbetriebsanleitung

Einführung

Vielen Dank, dass Sie sich für dieses Triton-Werkzeug entschieden haben. Die vorliegende Anleitung enthält wichtige Informationen für den sicheren und effektiven Gebrauch dieses Produkts. Selbst wenn Sie bereits mit ähnlichen Produkten vertraut sind, lesen Sie diese Anleitung bitte sorgfältig durch, um den größtmöglichen Nutzen aus diesem Werkzeug ziehen zu können. Vergewissern Sie sich, dass sämtliche Teile des Werkzeugs vorhanden und in einwandfreiem Zustand sind.

Symbolerklärung

Auf dem Typenschild des Werkzeugs sind möglicherweise Symbole abgebildet. Sie vermitteln wichtige Informationen über das Produkt oder dienen als Gebrauchsanweisung.



Gehörschutz tragen
Schutzbrille tragen
Atemschutz tragen
Kopfschutz tragen



Schutzhandschuhe tragen



WARNUNG! Um die Verletzungsgefahr zu reduzieren, muss die nutzende Person die Bedienungsanleitung lesen.



Schutzkleidung tragen



Schutzklasse 1 (Schutzleiter)



NIEMALS in nassen/feuchten Umgebungen verwenden!



WARNUNG! Risiko von Quetsch- und Schnittverletzungen durch bewegliche Teile!



Achtung: Rückschlaggefahr!



Nur für den Innengebrauch!



Umweltschutz

Elektrowerkzeuge dürfen nicht über den Haushaltsmüll entsorgt werden. Nach Möglichkeit bitte über entsprechende Einrichtungen entsorgen. Lassen Sie sich bezüglich der sachgemäßen Entsorgung von Elektrowerkzeugen von der zuständigen Behörde oder vom Fachhandel beraten.



WARNUNG

GEFAHR DURCH SCHWERE LASTEN

Nicht allein anheben

Nur mit mehreren Personen anheben und verschieben

WARNUNG! Dieser Artikel ist schwer und muss von mind. zwei Personen montiert werden.




Erfüllt die entsprechenden rechtlichen Vorschriften und Sicherheitsnormen

Verzeichnis der technischen Symbole und Abkürzungen

V	Volt
~	Wechselstrom
A, mA	Ampere, Milliampere
n_0	Leerlaufdrehzahl
\emptyset	Durchmesser
°	Grad
Hz	Hertz
W, kW	Watt, Kilowatt
min ⁻¹	Drehzahl, d.h. Umdrehungen pro Minute
cpm	Schnitte pro Minute
dB(A)	Schallpegel in Dezibel (A-bewertet)
m/s ²	Quadratmeter pro Sekunde (Schwingungsstärke)

Technische Daten

Modellnummer:	TPT125
Eingangsspannung:	220 V-240 V~, 50/60 Hz
Leistung:	1100 W
Schnitte pro Min.:	17.500 cpm
Leerlaufdrehzahl:	8.750 min ⁻¹
Hobelhöhe:	3,2-152 mm
Hobelbreite:	317 mm
Min. Hobellänge:	380 mm

Tischabmessungen:	317 x 597 mm
Abmessungen des Staubabzugsstutzen:	Innen: 48 mm Außen: 53 mm
Schutzklasse:	
Schutzart:	IP 20
Gewicht:	22,2 kg
Aufgrund der fortlaufenden Weiterentwicklung unserer Produkte können sich die technischen Daten von Triton-Produkten ohne vorherige Ankündigung ändern.	
Geräusch- und Vibrationsinformationen:	
Schalldruckpegel L_{PA} :	90,9 dB (A)
Schallleistungspegel L_{WA} :	103,9 dB (A)
Unsicherheit K:	3 dB (A)
Der Schallintensitätspegel kann für die bedienende Person 85 dB(A) übersteigen und Lärmschutzmaßnahmen sind notwendig.	

⚠️ WARNUNG! Tragen Sie in Bereichen, in denen der Lärmpegel 85 dB(A) überschreitet, unbedingt angemessenen Gehörschutz und begrenzen Sie nach Möglichkeit die Belastungsdauer. Sollte trotz Gehörschutz Unbehagen irgendeiner Art auftreten, beenden Sie die Arbeit unverzüglich und überprüfen Sie den Gehörschutz auf korrekten Sitz und Funktion und stellen Sie sicher, dass dieser einen angemessenen Schutz für den Lärmpegel bietet, der von den verwendeten Werkzeugen ausgeht.

⚠️ WARNUNG! Bei der Benutzung mancher Werkzeuge wird der Benutzer Vibrationen ausgesetzt, welche zum Verlust des Tastsinns, zu Taubheitsgefühl, Kribbeln und zu einer Verminderung der Handgreifkraft führen können. Langfristige Belastung kann zu chronischen Beschwerden führen. Begrenzen Sie, falls nötig, die Exposition zu Vibrationen und tragen Sie vibrationsmindernde Handschuhe. Verwenden Sie dieses Werkzeug nicht mit kalten Händen, da Vibrationen bei Temperaturen unter dem individuellen Komfortbereich eine stärkere Wirkung zeigen. Beurteilen Sie die Vibrationsbelastung unter Zuhilfenahme der Technischen Daten des jeweiligen Werkzeuges und bestimmen Sie die zulässige Belastungsdauer und -häufigkeit.

⚠️ WARNUNG! Die Schwingungsbelastung während der Arbeit mit dem Elektrowerkzeug kann je nach Einsatzart des Werkzeuges vom angegebenen SchwingungsGesamtwert abweichen. Um angemessene Sicherheitsmaßnahmen zum Schutz der bedienenden Person ergreifen zu können, sollten für eine genaue Abschätzung der Schwingungsbelastung auch die Zeiten berücksichtigt werden, in denen das Gerät abgeschaltet ist oder zwar läuft, aber nicht tatsächlich im Einsatz ist."

Der in dieser Anweisung angegebene SchwingungsGesamtwert wurde mittels eines standardisierten Prüfverfahrens gemessen und kann zum Vergleich verschiedener Werkzeuge genutzt werden. Er eignet sich auch für eine vorläufige Einschätzung der Schwingungsbelastung.

Die in den Technischen Daten angegebenen Geräusch- und Vibrationsinformationen werden nach internationalen Standards bestimmt.

Die angegebenen Werte entsprechen einer normalen Benutzung des Werkzeugs unter normalen Arbeitsbedingungen. Schlecht gewartete, inkorrekt montierte und unsachgemäß verwendete Werkzeuge können erhöhte Schallpegel und Vibrationswerte aufweisen. Weitere Informationen zur EU-Vibrationsrichtlinie und zu Schall- sowie Vibrationsbelastungen, die auch für Heimanwender relevant sein können, finden Sie auf den Seiten der Europäischen Agentur für Sicherheit und Gesundheitsschutz am Arbeitsplatz: www.osha.europa.eu.

Allgemeine Sicherheitshinweise

⚠️ WARNUNG! Beim Gebrauch von Elektrowerkzeugen sind zum Schutz gegen elektrische Schlag-, Verletzungs- und Brandgefahr folgende grundsätzliche Sicherheitsmaßnahmen zu beachten. Lesen Sie alle diese Anweisungen bevor Sie das Gerät betreiben und bewahren Sie diese Anweisungen auf.

⚠️ WARNUNG! Dieses Gerät darf nicht von Personen (wie z.B. Kindern) mit eingeschränkten körperlichen oder geistigen Fähigkeiten oder von Personen ohne Erfahrung im Umgang mit einem solchen Gerät betrieben werden, außer wenn sie von einer für ihre persönliche Sicherheit verantwortlichen Person in der Benutzung unterwiesen worden sind und dabei beaufsichtigt werden. Kinder müssen beaufsichtigt werden, um sicherzustellen, dass sie das Gerät nicht als Spielzeug verwenden.

⚠️ ACHTUNG! Verwenden Sie Elektrowerkzeug, Zubehör, Einsatzwerkzeuge usw. entsprechend diesen Anweisungen. Berücksichtigen Sie dabei die Arbeitsbedingungen und die ausführende Tätigkeit. Der Gebrauch von Elektrowerkzeugen für andere als die vorgesehenen Anwendungen kann zu gefährlichen Situationen führen.

Der in den Sicherheitshinweisen verwendete Begriff „Elektrowerkzeug“ bezieht sich auf netzbetriebene Elektrowerkzeuge (mit Netzkabel) und auf akkubetriebene Elektrowerkzeuge (ohne Netzkabel).

- Halten Sie den Arbeitsbereich sauber und aufgeräumt.** Unordnung auf Werkbänken und Böden begünstigt Verletzungen.
- Beachten Sie die Arbeitsplatzbedingungen:**
 - Verwenden Sie Werkzeuge niemals im Regen.
 - Benutzen Sie Werkzeuge nicht in einer feuchten oder nassen Umgebung.
 - Sorgen Sie für angemessene Beleuchtung von Arbeitsbereichen.
 - Verwenden Sie keine Werkzeuge in der Nähe von brennbaren Flüssigkeiten oder Gasen.
- Schützen Sie sich vor elektrischen Schlägen.** Vermeiden Sie Kontakt mit geerdeten Objekten und Oberflächen wie z.B. Rohrleitungen, Heizkörpern, Haushaltsgeräten usw.
- Halten Sie andere Personen vom Arbeitsplatz fern.** Achten Sie darauf, dass Personen, die nicht direkt am Arbeitsvorgang beteiligt sind, insbesondere Kinder, von Werkzeugen und Werkstücken fernbleiben, Werkzeuge und deren Anschlussleitungen nicht berühren und sich nicht im Arbeitsbereich aufhalten.
- Entfernen Sie nicht benötigte Werkzeuge aus dem Arbeitsbereich.** Nicht verwendete Werkzeuge sollten an einem sicheren, trockenen Ort außerhalb der Reichweite von Kindern gelagert und eingeschlossen werden.
- Wenden Sie bei der Benutzung von Werkzeugen keine Gewalt an.** Werkzeuge erzeugen die besten und effektivsten Ergebnisse, wenn sie mit der Geschwindigkeit und dem Vorschub verwendet werden, für welche sie konzipiert wurden.

- 7 **Verwenden Sie für die auszuführende Aufgabe geeignete Werkzeuge.** Kleine, leichte Werkzeuge verfügen nicht über die gleiche Leistung wie schwere Profi-Werkzeuge.

Verwenden Sie Werkzeuge niemals zweckfremd; z.B. dürfen Kreissägen nicht zum Sägen von Baumstämmen oder Ästen verwendet werden.

- 8 **Tragen Sie geeignete Arbeitskleidung:**

- Tragen Sie weder lose Kleidung noch Schmuck, da sich diese in den beweglichen Komponenten von Maschinen verfangen könnten.

- Bei Arbeiten im Freien sind rutschfeste Schuhe empfehlenswert.

- Decken Sie lange Haare ab.

- 9 **Verwenden Sie geeignete persönliche Schutzausrüstung:**

- Tragen Sie stets eine geeignete Schutzbrille.

- Tragen Sie bei stauberzeugenden Arbeiten stets eine Atemmaske.

⚠️ WARNUNG! Falls keine persönliche Schutzausrüstung getragen wird, können schwerwiegende Verletzungen und Erkrankungen auftreten.

- 10 **Verwenden Sie Staubabsaugrüstung.** Verwenden Sie Geräte mit Staubabsauganschluss stets mit einer geeigneten Absaugvorrichtung.

- 11 **Verwenden Sie die Anschlussleitung nicht missbräuchlich.**

Ziehen Sie niemals am Kabel, um dieses aus der Steckdose zu entfernen. Halten Sie Anschlussleitungen fern von Hitze, Schmiermitteln und scharfen Kanten. Beschädigte und abgenutzte Leitungen erhöhen das Risiko von elektrischen Schlägen.

- 12 **Fixieren Sie Ihre Werkstücke.** Verwenden Sie stets Schraubzwingen, Schraubstöcke und andere Klemmvorrichtungen, um Werkstücke sicher zu fixieren. Dies ist sicherer, als die Hände zu benutzen.

- 13 **Nicht zu weit hinauslehnen.** Bleiben Sie standfest und halten Sie stets Ihr Gleichgewicht.

- 14 **Führen Sie Instandhaltungsarbeiten sorgfältig durch:**

- Halten Sie Schneidwerkzeuge scharf. Werkzeuge mit scharfen Schneiden sind besser zu kontrollieren und verkanten sich weniger leicht.

- Befolgen Sie die Anweisung zur Schmierung und zum Austausch von Zubehörteilen.

Überprüfen Sie regelmäßig die Werkzeugkabel und lassen Sie sie bei Beschädigungen von einem vom Hersteller zugelassenen technischen Kundendienst reparieren.

Verlängerungskabel regelmäßig prüfen und bei Beschädigung austauschen lassen.

- Halten Sie die Griffe trocken, sauber und frei von Öl und Fett.

⚠️ WARNUNG! Viele Unfälle haben ihre Ursache in schlecht gewarteten Elektrowerkzeugen.

- 15 **Trennen Sie Geräte nach dem Gebrauch vom Stromnetz.** Trennen Sie Elektrowerkzeuge stets von der Spannungsversorgung, bevor Sie Wartungsarbeiten durchführen und Zubehör abnehmen oder anbringen.

⚠️ WARNUNG! Die Verwendung von Zubehör, das nicht vom Hersteller des Elektrowerkzeugs empfohlen wird, kann zu schwerwiegenden Sach- und Personenschäden führen.

- 16 **Entfernen Sie stets alle Einstellwerkzeuge vom Gerät.**

Machen Sie es sich zur Gewohnheit, vor dem Einschalten von Elektrowerkzeugen zu überprüfen, dass alle beim Zubehörwechsel oder zur Justierung verwendeten Werkzeuge (z.B. Innensechskant-, Maul- und Stiftschlüssel) entfernt wurden.

- 17 **Vermeiden Sie unbeabsichtigtes Einschalten.** Vergewissern Sie sich, dass sich der Betriebsschalter von Elektrowerkzeugen im ausgeschalteten Zustand befindet, bevor Sie das Werkzeug mit dem Stromnetz verbinden bzw. Akkus einsetzen.

⚠️ WARNUNG! Ein unbeabsichtigtes Einschalten von Elektrowerkzeugen kann zu schwerwiegenden Sach- und Personenschäden führen.

- 18 **Verwenden Sie geeignete Verlängerungsleitungen.** Falls das Elektrowerkzeug in Außenbereichen verwendet wird, muss eine speziell für Außenbereiche geeignete Verlängerungsleitung verwendet werden. Die Anwendung eines für den Außenbereich geeigneten Verlängerungskabels verringert das Risiko eines elektrischen Schlages.

- 19 **Seien Sie aufmerksam:**

- Achten Sie darauf, was Sie tun, wenden Sie gutes Urteilsvermögen an und verwenden Sie Werkzeuge niemals, wenn Sie müde sind.

- Verwenden Sie Elektrowerkzeuge niemals, wenn Sie unter dem Einfluss von Drogen, Alkohol oder Medikamenten stehen.

⚠️ WARNUNG! Ein Moment der Unachtsamkeit kann zu schweren Verletzungen führen.

- 20 **Überprüfen Sie den Zustand von Werkzeugen vor der Benutzung:**

- Das Werkzeug muss vor jeder Verwendung auf Beschädigungen überprüft werden. Vergewissern Sie sich, dass sich das Gerät in einem Zustand befindet, indem es seine normale Funktion sicher erfüllen kann.

- Begutachten Sie bewegliche Teile auf feste Verbindung, korrekte Ausrichtung, Schäden, korrekte Montage und andere Fehlerzustände, die ihre Funktion beeinträchtigen könnten.

- Sofern nicht anders in der Bedienungsanleitung angegeben, müssen beschädigte Schutzvorrichtungen oder andere Teile von einem autorisierten Service-Center ordnungsgemäß repariert oder ersetzt werden.

- Lassen Sie defekte Schalter von einem vom Hersteller zugelassenen Kundendienst austauschen.

⚠️ WARNUNG! Verwenden Sie das Gerät nicht, falls es sich nicht über den Ein-/Ausschalter einschalten und auch ausschalten lässt. Der Schalter muss zur sicheren Verwendung ausgetauscht werden.

- 21 **Empfohlenes Zubehör verwenden** - Empfohlenes Zubehör finden Sie in der Bedienungsanleitung

⚠️ WARNUNG! Die Verwendung eines anderen als des in dieser Bedienungsanleitung empfohlenen Zubehörs oder Anbaugeräts kann zu Verletzungen führen.

- 22 **Lassen Sie das Werkzeug ausschließlich von qualifizierten Technikern warten und reparieren.** Dieses Elektrowerkzeug entspricht den relevanten Sicherheitsvorschriften. Reparaturen dürfen ausschließlich von autorisierten Servicetechnikern durchgeführt werden, da unsachgemäße Reparaturen eine ernstzunehmende Gefahr darstellen können.

⚠️ WARNUNG! Verwenden Sie zur Instandhaltung ausschließlich identische Originalersatzteile.

⚠️ WARNUNG! Eine beschädigte Anschlussleitung muss durch den Hersteller oder eine autorisierte Fachwerkstatt ausgetauscht werden.

- 23 **Der Netzstecker des Gerätes darf ausschließlich an einer geeigneten Steckdose verwendet werden.** Der Netzstecker des Gerätes darf niemals modifiziert werden. Verwenden Sie keine Adapter mit geerdeten Elektrowerkzeugen. Unveränderte Stecker und passende Steckdosen verringern das Risiko eines elektrischen Schlages.

- 24 Bei der Verwendung in Außenbereichen muss das Gerät an einem Stromkreis betrieben werden, der von einem Fehlerstromschutzschalter abgesichert ist. Die Verwendung von FI-Schaltern vermindert die Gefahr elektrischer Schläge.
- 25 In Australien und Neuseeland darf dieses Gerät nur unter Verwendung einer Fehlerstromschutzeinrichtung (FI-Schalter) mit einem Bemessungsfehlerstrom von höchstens 30 mA an die Spannungsversorgung angeschlossen werden.
- 26 Stellen Sie sicher, dass Ihr Verlängerungskabel in einwandfreiem Zustand ist. Verwenden Sie nur Verlängerungskabel, die für die Stromaufnahme des Produkts ausgelegt sind. Ein unterdimensioniertes Kabel verursacht Spannungsabfälle und führt zu Leistungsverlust und Überhitzung. Tabelle A zeigt die richtige Größe je nach Kabellänge und Typenschild Ampere. Verwenden Sie im Zweifelsfall das nächst höhere Stärke. Je kleiner die Nummer der Stärke ist, desto schwerer ist das Kabel.
- 27 Lassen Sie das Gerät niemals unbeaufsichtigt laufen. Schalten Sie das Gerät aus. Legen Sie das Elektrowerkzeug niemals ab, bevor das Einsatzwerkzeug völlig zum Stillstand gekommen ist.

Selbst bei sachgemäßer Anwendung des Geräts ist ein völliges Restrisiko nicht auszuschließen. Verwenden Sie das Gerät daher mit Vorsicht. Sollten Sie sich in irgendeiner Weise unsicher bezüglich der sachgemäßen und sicheren Benutzung dieses Werkzeugs sein, verwenden Sie es nicht!

⚠️ WARNUNG! Stellen Sie vor Anschluss eines Werkzeugs an eine Stromquelle (Steckdose, Stromanschluss u. ä.) sicher, dass die Netzspannung der auf dem Typenschild des Werkzeugs angegebenen Spannung entspricht. Eine Stromquelle mit einer höheren Spannung als der für das Werkzeug spezifizierten Spannung kann zu schweren Verletzungen der bedienenden Person sowie Beschädigung des Werkzeugs führen. Schließen Sie das Werkzeug im Zweifelsfall nicht an. Eine niedrigere Spannung als auf dem Typenschild angegeben schadet dem Motor.

Tabelle A

Strombelastbarkeit		Volt	Gesamtlänge des Kabels in Metern			
		120	7,5	15	30,5	46
		240	15	30,5	61	92
Mehr als	Nicht mehr als		Mindeststärke des Kabels			
0	6		18	16	16	14
6	10		18	16	14	12
10	12		16	16	14	12
12	16		14	12	Nicht empfohlen	

Zusätzliche Sicherheitshinweise für Schneidwerkzeuge

⚠️ WARNUNG! Stellen Sie vor Anschluss eines Werkzeugs an eine Stromquelle (Steckdose, Stromanschluss u. ä.) sicher, dass die Netzspannung der auf dem Typenschild des Werkzeugs angegebenen Spannung entspricht. Eine Stromquelle mit einer höheren Spannung als der für das Werkzeug spezifizierten Spannung kann zu schweren Verletzungen der bedienenden Person sowie Beschädigung des Werkzeugs führen. Schließen Sie das Werkzeug im Zweifelsfall nicht an. Eine niedrigere Spannung als auf dem Typenschild angegeben schadet dem Motor.

Richtiges Schneidwerkzeug verwenden

- Vergewissern Sie sich, dass sich das Schneidwerkzeug für die auszuführende Aufgabe eignet. Ziehen Sie vor Gebrauch immer die Produktliteratur heran und gehen Sie nicht ohne Überprüfung davon aus, dass das Werkzeug für die Anwendung geeignet ist.

Augen schützen

- Tragen Sie bei Verwendung von Schneidwerkzeugen immer angemessenen Augenschutz.
- Gewöhnliche Brillen sind als Augenschutz bei Verwendung dieses Werkzeugs nicht ausreichend. Normale Brillengläser sind nicht schlagfest und könnten zersplittern.

Gehör schützen

- Bei Werkzeugschallpegeln über 85 dB immer geeigneten Gehörschutz tragen.

Atemwege schützen

- Sorgen Sie dafür, dass Sie selbst und Umstehende geeignete Staubschutzmasken tragen.

Hände schützen

- Halten Sie die Hände von Schneidwerkzeugen fern. Verwenden Sie für kürzere Werkstücke einen entsprechend geeigneten Schiebstock, wenn dies mit der Art des Elektrowerkzeugs vereinbar ist.

Auf Umstehende achten

- Es liegt in der Verantwortung des Nutzers, dass andere Personen im Arbeitsbereich keinen gefährlichen Schallpegeln oder Staub ausgesetzt werden. Sorgen Sie dafür, dass diesen Personen geeignete Schutzausrüstung zur Verfügung steht.

Nicht sichtbare Gegenstände

- Untersuchen Sie das Werkstück vor Arbeitsbeginn gründlich auf Nägel und andere Fremdkörper und entfernen Sie diese.
- Bearbeiten Sie keine Werkstücke, die Fremdkörper enthalten, es sei denn, Sie sind sicher, dass sich der Schneideinsatz am Gerät für die Aufgabe eignet.
- In Wänden können sich verdeckte Drähte und Leitungen befinden, in Karosserieteilen können versteckte Kraftstoffleitungen verlaufen und in hohem Gras können Steine oder Glas vorhanden sein. Überprüfen Sie vor Arbeitsbeginn immer zunächst gründlich den Arbeitsbereich.

Auf geschleuderten Verschnitt achten

- Unter Umständen können Verschnittstücke mit hoher Geschwindigkeit vom Schneidwerkzeug fort katapultiert werden. Es liegt in der Verantwortung der bedienenden Person, für den Schutz anderer, im Arbeitsbereich befindlicher Personen vor katapultiertem Ausschussmaterial zu sorgen.

Einsetzen von Zubehör

- Vergewissern Sie sich vor Gebrauch, dass das Schneidzubehör ordnungsgemäß und fest eingesetzt wurde.
- Verwenden Sie nur für das Gerät empfohlenes Zubehör.

- Versuchen Sie nicht, das Gerät oder sein Zubehör zu modifizieren.
- Stellen Sie sicher, dass die Hobelmesser scharf, in einwandfreiem Betriebszustand und ordnungsgemäß montiert sind.
- Versuchen Sie nicht, die Messer nachzuschärfen. Schärfen Sie keine speziell gehärteten Hobelmesser sowie Messer aus gehärteten, meist wolframhaltigen Legierungen. Diese können nicht ohne professionelle Ausrüstung nachgeschliffen werden.
- Verwenden Sie ausschließlich Hobelmesser, die für dieses Gerät konzipiert wurden.
- Falls die Hobelmesser während der Anwendung auf einen verborgenen Gegenstand treffen, zu dessen Bearbeitung sie nicht geeignet sind, müssen die Messer umgehend ersetzt werden.

Vorschubrichtung

- Führen Sie das Werkstück dem Sägeblatt oder Schneideinsatz nur gegen die Bewegungsrichtung von Hobelmesser oder Schneideinsatz zu.

Vorsicht vor Hitzebildung

- Beachten Sie, dass Schneidwerkzeuge und Werkstücke während des Gebrauchs heiß werden können. Versuchen Sie nicht, Werkzeuge auszutauschen, bevor sie völlig abgekühlt sind.

Abfallstoffe kontrollieren

- Achten Sie darauf, dass sich keine Späne oder Staub ansammeln. Sägemehl stellt eine Brandgefahr dar und einige Metallspäne sind explosionsgefährlich.
- Lassen Sie bei Geräten zum Sägen von Holz und Metall besondere Vorsicht walten. Funken infolge von Metallsägen sind eine häufige Ursache für Holzstaubfeuer.
- Verwenden Sie nach Möglichkeit ein Staubabsaugsystem, um eine sicherere Arbeitsumgebung zu gewährleisten

Sicherheitshinweise für Dickenhobel

- ⚠ **WARNUNG!** Verwenden Sie das Werkzeug niemals ohne oder korrekt eingestellte Schutzvorrichtungen.
- ⚠ **WARNUNG!** Jeder Teil des Schneidblocks, der nicht zum Hobeln verwendet wird, muss mit einer Schutzvorrichtung versehen werden.
- ⚠ **WARNUNG!** Beim Hobeln schmaler Werkstücke können zusätzliche Maßnahmen erforderlich sein, z. B. die Verwendung horizontaler Druckvorrichtungen, um ein sicheres Arbeiten zu gewährleisten.
- ⚠ **WARNUNG!** Hobelwerkzeuge sollten nicht für Innenschnitte, Aussparungen, Zapfen, Formschnitte und die Bearbeitung von stark gebogenem Holz verwendet werden.
- **Verwenden Sie einen geeigneten Atemschutz.** Bei der Arbeit mit diesem Gerät kann Staub entstehen, der krebserrregende und geburts- bzw. fortpflanzungsschädigende Chemikalien enthält. Einige Holzarten weisen Konservierungsmittel wie Kupfer-Chrom-Arsen (CCA) auf, das giftig sein kann. Beim Schleifen, Bohren und Schneiden dieser Werkstoffe sollten das Einatmen des Staubs sowie Hautkontakt vermieden werden.

- **Verwenden Sie nur scharfe Messer.** Lassen Sie bei der Handhabung der Hobelmesser äußerste Vorsicht walten und tragen Sie stets Schnittschutzhandschuhe.

- ⚠ **WARNUNG!** Verwenden Sie diese Maschine nicht mit unscharfen Hobelmessern, da somit eine erhöhte Gefahr eines Rückschlages besteht.

- **Stellen Sie sicher, dass sämtliche Lappen, Tücher, Schnüre usw. aus dem Arbeitsbereich entfernt worden sind, um zu verhindern, dass sich diese im Hobel verfangen.**

- **Warten Sie, bis die Maschine ihre volle Betriebsgeschwindigkeit erreicht hat, bevor sie mit dem Werkstück in Kontakt kommt und mit Hobeln begonnen wird.**
- **Schalten Sie das Gerät stets aus und lassen Sie es zum vollständigen Stillstand kommen, bevor Sie Einstellungsänderungen oder Wartungs- und Reinigungsarbeiten vornehmen.**
- **Wechseln Sie alle Messer gleichzeitig aus, da das Austauschen einzelner Messer zu Unwucht und ungleichmäßigem Lauf führt, was die Standzeit von Messern und Hobel verkürzt.**
- **Führen Sie nur Hobelanwendungen aus, die ausdrücklich vom Hersteller empfohlen werden.** Innenschnitte, Aussparungen, Zapfen, Formschnitte und die Bearbeitung von stark gebogenem Holz sind mit dieser Maschine nicht zulässig.
- **Verwenden Sie den Abrichthobel nur, wenn dieser an einer stabilen Arbeitsfläche montiert ist.** Bei nicht ordnungsgemäßer Befestigung kann sich die Maschine während des Betriebs plötzlich verschieben und die bedienende Person schwer verletzen.
- **Halten Sie den Schiebstock während der Hobelanwendung in der Nähe des Aufgabebereiches.** Verwenden Sie einen Schiebstock zum Zuführen kleinerer Werkstücke, wenn sich dieses nahe den Messern befindet sowie für Werkstücke unter einer Stärke von 75 mm (3 Zoll).
- **Verwenden Sie das Gerät nicht zum Abrichten von verformtem Holz, oder wenn nicht genügend Kontakt zwischen Werkstück und Eingabetisch vorhanden ist.**
- **Führen Sie keine Hobelarbeiten an Material durch, das kürzer als die Länge der Messerwelle plus 50 mm, schmaler als 19 mm, breiter als die Messerkapazität in Zoll oder dünner als 13 mm ist.**
- **Achten Sie auf das richtige Verhältnis zwischen den Oberflächen des Eingabe- und Abgabebereiches und dem Messerweg des Schneidkopfes.**
- **Stützen Sie das Werkstück während der Arbeit jederzeit angemessen ab; behalten Sie jederzeit die Kontrolle über die Arbeit.**
- **Arbeiten Sie nicht in Richtung Eingabetisch zurück.**
- **Versuchen Sie nicht, einen anormalen oder wenig gebräuchlichen Vorgang ohne Untersuchung oder ohne Verwendung geeigneter Niederhalte-/Druckklötze, Lehren, Vorrichtungen, Anschläge usw. durchzuführen.**
- **Achten Sie beim Transport des Geräts darauf, dass die Transportgriffe verwendet werden (nicht der Bedienungsgriff) und dass alle Verriegelungsmechanismen und Schutzvorrichtungen sicher angebracht sind.**

Maßnahmen zur Verhinderung von Rückschlag

Hinweis: Rückschlag bezeichnet eine plötzliche Reaktion auf ein verklemmtes, verhaktes oder fehlerausgerichtetes Messer und führt dazu, dass das Werkstück in Richtung der bedienenden Person zurückgeschleudert wird. Durch Rückschlag kann sogar die Hand der Bedienperson in das Sägeblatt gezogen werden und schwere Verletzungen verursachen.

⚠ **WARNUNG!** Rückschlag ist die Folge eines falschen oder fehlerhaften Gebrauchs des Hobels. Er kann durch geeignete Vorsichtsmaßnahmen, wie nachfolgend beschrieben, verhindert werden.

- Hobeln Sie NIEMALS mit unscharfen Hobelmessern.** Vergewissern Sie sich außerdem stets, dass sich das Sägeblatt für den zu bearbeitenden Werkstoff eignet.

- b) Stellen Sie sicher, dass sich der Anschlag STETS parallel zum Hobelmesser befindet. Wenn der Anschlag /Tisch nach innen zur Klinge neigt, kann das Werkstück mit der Hinterkante der Klinge in Berührung kommen.
- c) Lassen Sie beim Hobeln größerer Werkstücke äußerste VORSICHT walten. Achten Sie darauf das größere Werkstücke ausreichend gestützt ein- und ausgeführt werden können.
- d) Bearbeiten Sie NIEMALS Rundmaterial oder Werkstücke, die nicht flach auf dem Tisch liegen können. < Schneiden Sie kein verwundenes, verzogenes oder astiges Holz.
- e) Hobeln Sie NIEMALS nasses Holz, da dies zu einer höheren Reibung gegen der Messer führt. Zudem könnte sich feuchtes Sägemehl am Sägeblatt ablagern und die Rückschlaggefahr weiter verstärken.
- f) Halten Sie das Werkstück mit beiden Händen gut fest und positionieren Sie die Arme so, dass Sie den Rückschlagkräften widerstehen können.
- g) Bringen Sie Ihren Körper niemals auf eine Linie mit den Hobelmessern, sondern immer seitlich in Position.
- h) Ziehen Sie das Werkstück während des Arbeitsvorgangs NICHT aus dem laufenden Hobel. Wenn Sie den Arbeitsvorgang aus irgendwelchen Gründen unterbrechen müssen, lassen Sie den Auslöser los und warten bis der Hobel zum völligen Stillstand gekommen ist, bevor Sie das Werkstück entnehmen.
- i) Verwenden Sie STETS Schiebestöcke, um das Werkstück durch den Hobel zu führen Soweit es möglich ist können Druckkämme benutzt werden um Werkstücke fest zu halten.

Geräteübersicht

1. Walzengehäuse
2. Befestigungsschrauben für Seitenabdeckung
3. Dickenskala
4. Skalenzeiger
5. Absaughaube
6. Sechskantschrauben für Absaughaube
7. Schraubbolzen für Handkurbel
8. Abdeckkappe für Handkurbel
9. Handkurbel
10. Aufgabetisch
11. Dickentisch
12. Rücksetzknopf für Sicherheitsschalter
13. Ein-/Ausshalter
14. Bürstenkappe
15. Sechskantschlüssel
16. Sechskantschrauben für Messerabdeckung
17. Messerabdeckung
18. Befestigungslöcher für Absaughaube
19. Magnete

Bestimmungsgemäße Verwendung

Netzbetriebene, auf der Werkbank montierte Hobelmaschine für anspruchsvolle Hobelanwendungen auf Hart- und Weichholzbrettern mit mindestens 380 mm Länge. Für das Bearbeiten von unebenen Oberflächen, zur Herstellung von Kanthölzern für Holzverbindungen und zum Abhobeln von Holzbrettern für diverse Projekte geeignet.

Produkt auspacken

- Packen Sie Ihr Werkzeug vorsichtig aus und überprüfen Sie es. Machen Sie sich vollständig mit allen seinen Eigenschaften und Funktionen vertraut.
- Vergewissern Sie sich, dass sämtliche Teile des Gerätes vorhanden und in einwandfreiem Zustand sind. Sollten Teile fehlen oder beschädigt sein, lassen Sie diese ersetzen, bevor Sie das Gerät verwenden.

Vor Inbetriebnahme

⚠️ WARNUNG! Trennen Sie das Gerät stets von der Stromversorgung, bevor Sie Einstellungsänderungen vornehmen oder Inspektions-, Wartungs- oder Reinigungsarbeiten durchführen.

⚠️ WARNUNG! Tragen Sie bei der Handhabung des Walzengehäuses (1) und zugehöriger Komponenten stets geeignete Schnittschutzhandschuhe.

Werkbankmontage

- Stellen Sie das Gerät auf festem, flachem Untergrund auf, so dass der Tisch waagrecht verläuft und das Gerät nicht umkippen kann.
- Für den stationären Einsatz der Dickenhobelmaschine empfiehlt es sich, das Gerät auf einer stabilen Arbeitsfläche wie folgend zu montieren:
 1. Markieren Sie dazu die Bohrlöcher, indem Sie die Dickenhobelmaschine so platzieren, wie sie befestigt werden soll, und die zu bohrenden Löcher durch die Grundplatte der Dickenhobelmaschine (siehe Abb. A) auf der Montagefläche (d.h. beispielsweise Ihrer Werkbank) anzeichnen. Bohren Sie die Löcher in die Arbeitsfläche, setzen Sie die Dickenhobelmaschine auf die Löcher und montieren Sie das Gerät mit passenden Schrauben, Unterlegscheiben und Muttern (nicht mitgeliefert) auf der Werkbank.
 2. Für den mobilen Einsatz der Dickenhobelmaschine können Sie ein Brett an die Grundplatte montieren, mit dem sich das Gerät leicht auf unterschiedlichen Arbeitsflächen einspannen und wieder abbauen lässt.
 3. Achten Sie bei den Schrauben darauf, dass diese lang genug sind, um die Maschine fest und sicher mit der Werkbank bzw. dem Montagebrett zu verbinden.

Handkurbel anbringen

Montieren Sie die Handkurbel (9) auf der rechten Seite der Dickenhobelmaschine (siehe Hauptabb.):

1. Drehen Sie die Federscheibe auf den Schraubbolzen (7) für die Handkurbel.
2. Setzen Sie die Handkurbel auf die Gewindespindel (siehe Abb. B).
3. Befestigen Sie die Handkurbel mit dem Schraubbolzen. Ziehen Sie den Schraubbolzen mit dem Sechskantschlüssel (15) fest.
4. Stecken Sie abschließend die Abdeckkappe (8) auf, um den Schraubbolzen abzudecken

Absaughaube anbringen

Die Absaughaube (5) lässt sich zur Absaugung von Ausschussmaterial entweder auf der rechten oder der linken Seite der Dickenhobelmaschine anbringen.

1. Befestigen Sie die Absaughaube mit den beiden Sechskantschrauben (6) in den Befestigungslöchern (18) am Walzengehäuse (1) (siehe Abb. C).
2. Wenn die Absaughaube angebracht ist, schließen Sie den Schlauch des Absaugsystems an.
3. Schalten Sie das Absaugsystem ein, bevor Sie die Dickenhobelmaschine betreiben.

Planheit des Walzengehäuses prüfen

- Das Walzengehäuse (1) wurde werksseitig ausgerichtet und geprüft. Dennoch kann die Ausrichtung während des Transports und der Handhabung verloren gehen.
- Falls das Walzengehäuse nicht mit dem Dickentisch (11) plan ist, erhalten Sie ein abgeschrägtes Werkstück, d.h. die seitlichen Werkstückkanten sind nach dem Hobeln unterschiedlich stark. Dies kann außerdem zu einer ungleichmäßigen Abnutzung der Messer führen.
- Überprüfen Sie in zwei Probeläufen, dass die Messer richtig ausgerichtet sind: Führen Sie jeweils ein Stück Holz auf der rechten und auf der linken Seite gleichzeitig durch die Dickenhobelmaschine.
- Messen und vergleichen Sie die Ergebnisse, um so zu überprüfen, ob die Messer ordnungsgemäß ausgerichtet sind bzw. um zu ermitteln, um welchen Betrag sie korrigiert werden müssen.
- Falls die Messer neu ausgerichtet werden müssen, folgen Sie der Anleitung „Walzengehäuse neu ausrichten“ im Abschnitt „Wartung und Pflege“.

Bedienung

⚠️ WARNUNG! Trennen Sie das Gerät stets von der Stromversorgung, bevor Sie Einstellungsänderungen vornehmen oder Inspektions-, Wartungs- oder Reinigungsarbeiten durchführen.

⚠️ WARNUNG! Tragen Sie bei der Handhabung des Walzengehäuses (1) und zugehöriger Komponenten stets geeignete Schnittschutzhandschuhe.

Wichtige Hinweise für die sichere Nutzung dieses Werkzeugs

- Trennen Sie die Maschine stets vom Stromnetz, bevor Sie Einstellungen vornehmen oder Teile ersetzen.
- Stellen Sie sicher, dass der Ein-/Ausschalter auf O („Aus“) steht, bevor Sie das Gerät ans Stromnetz anschließen.
- Halten Sie die Hände von allen sich bewegenden Teilen fern.
- Tragen Sie Augenschutz, sowie eine Staubmaske, wenn Sie mit diesem Gerät arbeiten.
- Stellen Sie sicher, dass sich alle beweglichen Teile einwandfrei bewegen können.
- Halten Sie die Messer scharf sowie ordnungsgemäß ausgerichtet und sicher an der Messerwalze befestigt.
- Schalten Sie die Maschine niemals ein, wenn die Messer das Werkstück berühren.
- Wenn die Dickenhobelmaschine nicht in Benutzung ist, schalten Sie sie stets aus und trennen Sie sie vom Stromnetz.
- Halten Sie die Maschine in ordnungsgemäßem Zustand und befolgen Sie die Wartungsanweisungen (siehe „Wartung und Pflege“).
- Nehmen Sie keine unvollständigen Hobeldurchgänge vor, sondern bearbeiten Sie die gesamte Länge des Werkstücks.
- Verwenden Sie den Hobel nicht zum Fräsen von Einkerbungen, Zapfen oder Formen.

Werkstückaufnahmeleistung

- Das Werkstück muss folgende Mindest- und Höchstmaße einhalten:
 - I. Mindeststärke: 3,2 mm
 - II. Mindestlänge: 380 mm
 - III. Mindestbreite: 18 mm
 - IV. Höchstbreite: 317 mm

- Verwenden Sie kein schwaches, trockenes, beschädigtes oder stark knotiges Holz, das im Hobelmechanismus zerbrechen und den Motor zu Rückschlag veranlassen könnte.
- Vergewissern Sie sich, dass das Holz frei von eingebetteten Gegenständen wie Schrauben, Nägeln und Klammern ist. Eingebettete Gegenstände können das Werkzeug schwer beschädigen, stellen ein Sicherheitsrisiko dar, wenn sie ausgeworfen werden und können die Ursache für einen Rückschlag sein.
- Verwenden Sie das Gerät nicht zum Abrichten von verformtem Holz, oder wenn nicht genügend Kontakt zwischen Werkstück und Aufnahmetisch vorhanden ist.
- Diese Dickenhobelmaschine ist ausschließlich zur Bearbeitung von Naturholz ausgelegt.
- Entfernen Sie vor dem Bearbeiten Kleberrückstände und sämtliche Fremdkörper aus dem Werkstück.
- Nutzen Sie die ganze Breite der Messerwalze, um eine ungleichmäßige Abnutzung der Messer zu verhindern.

Höhe des Walzengehäuses einstellen

- Im Walzengehäuse (1) befinden sich der Motor, die Messerwalze sowie die Einzugs- und die Auszugswalze.
- Betätigen Sie zum Anheben oder Absenken des Walzengehäuses die Handkurbel (9). Eine volle Umdrehung der Handkurbel hebt bzw. senkt das Walzengehäuse um 1,58 mm.
- Der Skalenzeiger (4) und die Dickenskala (3) zeigen den Abstand der Messerwalze zum Dickentisch (11) in Millimeter und Zoll an – und somit die ungefähre Stärke des Werkstücks nach dem Hobeln.
- Die Dickenskala wird werksseitig kalibriert. Wenn die Aufgabe höchste Präzision erfordert, empfiehlt es sich, die Stärke des Werkstücks vor und nach jedem einzelnen Hobeldurchgang mit einem Messschieber oder einem digitalen Dickenmessgerät zu überprüfen.

Spanabnahme einstellen

- Zum Schutz des Motors und der Messerwalze wird die folgende maximale Spanabnahme je Hobeldurchgang empfohlen:

Max. Spanabnahme	
Werkstückbreite	Max. Spanabnahme
Bis 125 mm	2,38 mm
Von 125 mm bis 317 mm	1,6 mm

Spanabnahme einstellen:

1. Messen Sie die bestehende Werkstückstärke und ermitteln Sie die Differenz zur gewünschten Stärke.
2. Nehmen Sie auf obige Tabelle „Max. Spanabnahme“ Bezug, um zu bestimmen, ob ein Hobeldurchgang ausreicht oder mehrere Durchgänge benötigt werden.
3. Gehen Sie wie folgt vor, wenn nur ein Durchgang notwendig ist:
 - Heben Sie das Walzengehäuse (1) mithilfe der Handkurbel (9) an oder senken Sie es ab, bis der Skalenzeiger (4) der Dickenskala (3) auf der gewünschten Endstärke des Werkstücks steht.
4. Wenn mehr als ein Hobeldurchgang nötig ist:
 - a) Es wird empfohlen, bei den zum Erreichen der gewünschten Endstärke benötigten Hobeldurchgängen auf eine ungefähr gleich starke Spanabnahme in jedem Durchgang zu achten, d.h. der Gesamttrag muss durch die Anzahl der Hobeldurchgänge geteilt werden.

- b) Stellen Sie die Höhe des Walzengehäuses für den ersten und die nachfolgenden (aber nicht den letzten!) Hobeldurchgang auf die bestehende Werkstückstärke abzüglich der in Schritt a) berechneten Spanabnahme ein.
- c) Überprüfen Sie die Maße nach jedem Hobeldurchgang mit einem Messschieber oder einem digitalen Dickenmessgerät, bevor Sie die Spanabnahme für den letzten Durchgang berechnen.

Ein- und Ausschalten

- Der Ein-/Ausschalter (13) befindet sich vorne an der Dickenhobelmaschine.
- Drücken Sie zum Einschalten der Dickenhobelmaschine den grünen Ein-Schalter („I“).
- Betätigen Sie zum Ausschalten der Dickenhobelmaschine den roten Aus-Schalter („O“).

Sicherheitsschalter

- Links neben dem Ein-/Ausschalter (13) befindet sich ein Sicherheitsschalter (Abb. M).
- Bei übermäßigem elektrischem Strom schaltet der Sicherheitsschalter zum Schutz des Motors die Stromzufuhr ab.
- Überprüfen Sie vor dem Zurücksetzen des Sicherheitsschalters den Motor, den Schalter und den Stromanschluss auf einen Kurzschluss oder defekte Komponenten.
- Zurücksetzen des Sicherheitsschalters:
 - o Schalten Sie die Maschine durch Betätigen des roten Schalters („O“) ab.
 - o Drücken Sie dann zum Zurücksetzen den Rücksetzknopf für den Sicherheitsschalter (12).

Dickenhobelmaschine bedienen

⚠️ WARNUNG! Verwenden Sie bei der Arbeit mit diesem Gerät stets angemessene Schutzausrüstung einschließlich Augen-, Atem- und Gehörschutz.

- Um bestmögliche Ergebnisse zu erzielen, bestimmen Sie vor dem Hobeln die gewünschte Endstärke des Werkstücks und die benötigte(n) Spanabnahme(n). Da eine Höchstgrenze für die Spanabnahme besteht, sind möglicherweise mehrere Hobeldurchgänge zum Erreichen der Endstärke notwendig.
- Im Allgemeinen führen flache Abträge zu besseren Ergebnissen hinsichtlich Oberflächenbeschaffenheit, gleichmäßiger Stärke, weniger Rückschlag, geringerer Absätze an Werkstückkanten und weniger Abnutzung der Messerwalze und des Motors.
- Vermeiden Sie Spanabnahmen über 2,4 mm in einem Hobeldurchgang, um Rückschlag zu verhindern.
- Wenn mehrere Hobeldurchgänge notwendig sind, muss das Walzengehäuse vor jedem Hobeldurchgang von Hand abgesenkt werden.
- Stellen Sie bei Hartholz, breiten Werkstücken und Werkstücken mit unebenen Oberflächen immer eine geringe Spanabnahme ein.
- Bearbeiten Sie keine Hölzer mit vielen und/oder großen Astknoten, übermäßigen Verwindungen, Krümmungen, Wölbungen oder anderen Verwachsungen.
- Begradigen Sie gegebenenfalls zuerst eine Seite mit einer Abrichthobelmaschine, damit das Werkstück über wenigstens eine flache Oberfläche verfügt, bevor Sie es mit der Dickenhobelmaschine bearbeiten.
- Hobeln Sie beide Werkstückseiten und tragen Sie dabei auf jeder Seite die Hälfte der Gesamtspanabnahme ab. Auf diese Weise erhalten Sie zwei glatte Oberflächen mit gleichem Feuchtigkeitsgehalt und somit ein Brett, das sich bei natürlicher Trocknung weniger leicht verzieht.

- Nehmen Sie einen Probeschnitt an einem vergleichbaren Holz vor, um vor dem Hobeln des Werkstücks die Genauigkeit der Einstellungen zu überprüfen.
- Führen Sie das Werkstück nach Möglichkeit immer in Faserrichtung zu.
- Stützen Sie lange oder breite Werkstücke stets mit geeigneten Rollenböcken ab.
 1. Stellen Sie die gewünschte Spanabnahme ein (siehe „Inbetriebnahme“ oben).
 2. Stellen Sie sich auf die Geräteseite, auf der sich die Handkurbel (9) befindet. Stellen Sie sich niemals direkt vor das Werkstück und sorgen Sie dafür, dass niemand in Drehrichtung in einer Linie zu den Messern steht oder an diesen vorbeigeht. Rückschlag und ausgeworfenes Ausschussmaterial werden in diese Richtung katapultiert.
 3. Legen Sie das Werkstück, mit der zu bearbeitenden Oberfläche nach oben, auf den Aufnahmetisch (10).
 4. Schalten Sie die Maschine ein und warten Sie, bis die Messerwalze ihre volle Drehzahl erreicht hat.
 5. Halten Sie das Werkstück gut fest und führen Sie es langsam der Einzugswalze zu.

HINWEIS: Führen Sie Werkstücke der Dickenhobelmaschine niemals über den Abnahmetisch zu.

6. Wenn die Einzugswalze am Werkstück greift, hören Sie auf, es vorzuschieben. Die Einzugswalze befördert das Werkstück selbstständig durch die Dickenhobelmaschine.
7. Erzwingen Sie den Arbeitsvorgang nicht. Ein Verlangsamen oder Anhalten führt zum Überhitzen des Motors.
8. Halten Sie Ihre Hände stets von den Messern und dem Spanauswurf fern, während der Motor läuft.
9. Stützen Sie große Werkstücke ab, während sie durch die Dickenhobelmaschine laufen, um sie zu stabilisieren und Absätze an Werkstückkanten zu verringern.
10. Stellen Sie sich hinter die Maschine, um das Werkstück entgegenzunehmen. Ziehen Sie es jedoch nicht heraus, sondern lassen Sie die Walzen die Arbeit erledigen.
11. Falls ein Werkstück in der Maschine verklemt, schalten Sie das Gerät aus, ziehen Sie den Netzstecker aus der Steckdose, heben Sie das Walzengehäuse vom Werkstück ab und LASSEN SIE DIE MASCHINE UNBEDINGT ZUM VÖLLIGEN STILLSTAND KOMMEN!
12. Greifen Sie niemals in die Maschine, während sie in Betrieb ist oder noch herunterfährt.
13. Verwenden Sie beim Bearbeiten langer Werkstücke Zuführ- und Ausführböcke oder Stützen.
14. Messen Sie die Stärke des Werkstücks nach jedem Hobeldurchgang mit einem Messschieber oder einem digitalen Dickenmessgerät, wenn äußerste Genauigkeit gewährleistet werden soll.

Zubehör

- Eine Reihe an Zubehör, darunter Staubabsaugadapter und Hobelmesser für Dickenhobel, ist über Ihren Triton-Fachhandel erhältlich.
- Ersatzteile können ebenfalls über Ihren Triton-Fachhandel oder unter

Wartung und Pflege

⚠️ WARNUNG! Trennen Sie das Gerät stets vom Stromnetz, bevor Sie Wartungs- oder Reinigungsarbeiten durchführen.

⚠️ WARNUNG! Tragen Sie bei der Handhabung des Walzengehäuses (11) und zugehöriger Komponenten stets geeignete Schnitzzuschutzhandschuhe.

Hinweis: Eventuelle Schäden an diesem Gerät müssen durch Fachpersonal repariert und das Gerät vor dem Gebrauch erneut sorgfältig überprüft werden.

Hinweis: Lassen Sie Ihr Elektrowerkzeug durch Fachpersonal unter ausschließlicher Verwendung von Original-Ersatzteilen warten. Damit wird sichergestellt, dass die Sicherheit des Elektrowerkzeuges erhalten bleibt.

- Dieses Werkzeug wurde unter Verwendung erstklassiger Komponenten hergestellt und nutzt innovative, intelligente Schaltkreistechnik, die das Werkzeug und seine Komponenten schützen. Bei ordnungsgemäßer Nutzung sollten Sie viele Jahre an diesem Gerät Freude haben.
- Eventuelle Schäden an diesem Gerät müssen durch Fachpersonal repariert und das Gerät vor dem Gebrauch erneut sorgfältig überprüft werden.
- Lassen Sie Ihr Elektrowerkzeug durch Fachpersonal unter ausschließlicher Verwendung von Original-Ersatzteilen warten. Dadurch wird die Sicherheit des Gerätes gewährleistet.
- Für die Herstellung dieser Hobelmaschine wurden erstklassige Bauteile und zum Schutz des Gerätes und seiner Komponenten modernste intelligente Schaltungstechnik verwendet. Bei normalem Gebrauch sollten Sie viele Jahre an diesem Gerät Freude haben.

Reinigung und Schmierung

- Halten Sie Ihre Maschine stets sauber. Durch Schmutz und Staub verschleiben die Innenteile schnell und die Lebensdauer des Gerätes wird verkürzt. Säubern Sie das Gerätegehäuse mit einer weichen Bürste oder einem trockenen Tuch. Die Entlüftungsöffnungen gegebenenfalls mit sauberer, trockener Druckluft reinigen, sofern verfügbar.
- Saugen Sie die Dickenhobelmaschine nach dem Gebrauch ab, um Späne, Sägemehl und andere Ablagerungen zu entfernen.
- Verwenden Sie eine Reinigungslösung (nicht im Lieferumfang enthalten), um Harz- und Schmierfetrückstände zu entfernen.
- Befreien Sie die Ketten und Getriebe von Sägemehl, Spänen und Schmierfett.
- Die Lager im Motor und in der Messerwalze sind ab Werk gegen Staub abgedichtet und bedürfen keiner weiteren Schmierung.
- Vier Bauteile müssen regelmäßig geschmiert werden:
 - o Gewindespindelmechanismus des Walzengehäuses (2 x)
 - o Sperrnase des Walzengehäuses
 - o Senkrechte Führungssäulen des Walzengehäuses (4 x)
 - o Kettenantrieb der Einzugs- und Auszugswalzen
- Entfernen Sie die oberen Abdeckungen und beide Seitenwände, so dass Sie die Geräteteile erreichen können.
- Reinigen Sie den Kettenantrieb vor dem Schmieren. Verwenden Sie Sprühöl (nicht mitgeliefert) zum Schmieren der Kette. Warten Sie, damit das Schmiermittel zwischen die Glieder laufen kann, und wischen Sie dann die Oberfläche der Kette trocken.
- Entfernen Sie sämtliche Fettrückstände von den anderen Geräteteilen, notfalls unter Einsatz von Testbenzin. Tragen Sie dann eine Schicht leichtes Mehrzweckschmierfett (nicht mitgeliefert) auf.
- Der Dickentisch und die Auf- und Abnahmetische können mit einer sehr dünnen Schicht Schmierwachs (nicht mitgeliefert) behandelt werden, um die Oberfläche vor Rost zu schützen und ein gleichmäßiges Einziehen und Ausgeben der Werkstücke zu begünstigen.

Walzengehäuse neu ausrichten

- Überprüfen Sie die Messerausrichtung, indem Sie jeweils zwei Holzstücke auf beiden Außenseiten (d.h. rechts und links) durch die Dickenhobelmaschine führen.

- Messen und vergleichen Sie die Ergebnisse, um zu überprüfen, ob die Messer ordnungsgemäß ausgerichtet sind und gegebenenfalls den benötigten Korrekturbetrag zu ermitteln.
- Gehen Sie zum Korrigieren einer Fehlausrichtung wie folgt vor:
 1. Schalten Sie die Dickenhobelmaschine aus und trennen Sie sie vom Stromnetz.
 2. Stellen Sie die Dickenhobelmaschine vorsichtig auf die Rückseite.
 3. Entfernen Sie die Schrauben an dem Haltebügel, mit dem die Zahnradspindel auf der Geräteseite der Handkurbel (9) befestigt ist (siehe Abb. D).
 4. Kuppeln Sie vorsichtig die Getriebeverbindung aus (siehe Abb. E).
 5. Drehen Sie langsam die Handkurbel, um das Walzengehäuse durch Anheben bzw. Absenken wie gewünscht neu auf der Gewindespindel zu positionieren.
 6. Heben bzw. senken Sie das Walzengehäuse mithilfe der Handkurbel so lange, bis die Fehlausrichtung beseitigt ist. Jede volle Umdrehung der Handkurbel entspricht einer Anpassung um 1,5 mm.
 7. Stellen Sie die Getriebeverbindung wieder her und bringen Sie den Haltebügel der Zahnradspindel wieder an.
 8. Stellen Sie die Dickenhobelmaschine vorsichtig wieder aufrecht hin.
 9. Nehmen Sie einen Probelauf vor, um zu überprüfen, dass das Walzengehäuse nun plan ist.
 10. Wiederholen Sie die Korrekturmaßnahme, falls weitere Korrekturen vonnöten sind.

Messer überprüfen und wechseln

Überprüfen der Messer:

1. Die Messerabdeckung (17) befindet sich auf der Rückseite der Dickenhobelmaschine. Lösen und entfernen Sie die Sechskantschrauben (16) auf beiden Seiten und nehmen Sie dann die Abdeckung ab (siehe Abb. F).
2. Im Inneren befindet sich die Messerwalze mit ZWEI scharfen Messern.
3. Drehen Sie die Messerwalze vorsichtig, ohne dabei die Messer zu berühren, bis die selbsteinrastende Sperrnase die Messerwalze mit einem Klickgeräusch arretiert.
4. Entfernen Sie mit dem Sechskantschlüssel (15) die sechs Schrauben an der Messerabdeckplatte (siehe Abb. G).
5. Entfernen Sie vorsichtig die Messerabdeckplatte mithilfe der beiden Magnete (19).
6. Verwenden Sie dann die Magnete zum Entfernen der Messer.
7. Untersuchen Sie die Messer auf Anzeichen von Verschleiß oder Beschädigungen. Ein stumpfes, abgenutztes, eingekerbtes, eingerissenes oder verbogenes Messer kann zu minderwertigen Hobelergebnissen wie ausgerissenen, splittenden oder aufgestellten Holzfasern, erhöhten Kanten und ungleichmäßigen Schleifflächen führen.

Einsetzen des ersten Messers:

Hinweis: Ersetzen Sie die Messer immer paarweise.

Hinweis: Bestücken Sie die Messerwalze nie mit einem neuen und einem alten Messer. Verwenden Sie niemals Messer mit unterschiedlichem Abnutzungsgrad gleichzeitig. Verwenden Sie kein Messer, dessen Seiten unterschiedlich stark abgenutzt sind. Verwenden Sie ausschließlich den Herstellerangaben entsprechende Messer.

1. Heben Sie eines der neuen Messer mit den Magneten (19) an und setzen Sie es mithilfe der Magnete in die Messerwalze ein.

- Platzieren Sie das Messer so, dass es fest auf den beiden Stiften sitzt.
- Setzen Sie die Abdeckplatte mithilfe der Magnete wieder auf die Messer.
- Legen Sie die Abdeckplatte so auf, dass sich die sechs Befestigungslöcher mit den Löchern der Messerwalze decken.
- Befestigen Sie sie gut mit den sechs Schrauben.

Überprüfen und Ersetzen des zweiten Messers:

- Verschaffen Sie sich Zugang zum anderen Messer, indem Sie die Sperrnase seitlich an der Messerwalze vorsichtig hochziehen. Halten Sie die Sperrnase fest, um das Messer freizugeben (siehe Abb. H).
- Lassen Sie die Sperrnase los, sobald sich die Messerwalze dreht.
- Drehen Sie vorsichtig die Messerwalze, ohne die Messer zu berühren, bis die selbsteinrastende Sperrnase die Messerwalze erneut mit einem Klickgeräusch arretiert.
- Wiederholen Sie nun den oben beschriebenen Vorgang, um das zweite Messer zu überprüfen und auszuwechseln.

Kohlebürsten überprüfen und auswechseln

- Mit der Zeit unterliegen die Kohlebürsten des Motors dem Verschleiß.
- Wenn der Verschleiß der Kohlen fortgeschritten ist, kann dadurch die Motorleistung abnehmen, die Maschine kurzzeitig ausfallen oder es kann zu sichtbarer Funkenbildung kommen.
- Die Lebensdauer der Bürsten ist von der Motorbelastung abhängig. Es wird eine Inspektion der Bürsten nach jeweils 100 Betriebsstunden empfohlen.
- Ersetzen Sie die Bürsten, wenn die Länge der Kohlefasern auf weniger als 9,5 mm abgenutzt ist, wenn die Federn verschlissen sind oder wenn Sie eine Abnahme der Motorleistung bemerken konnten.
- Tauschen Sie sie ausschließlich gegen neue Ersatzteile aus und ersetzen Sie stets beide Bürsten.
- Untersuchen und Ersetzen der Bürsten:
 - Schrauben Sie die Bürstenkappen (14) beidseitig des Motors ab.
 - Nehmen Sie die Bürsten heraus und überprüfen Sie sie auf Verschleiß.
 - Setzen Sie bei Bedarf neue Bürsten ein und bringen Sie die Bürstenkappen wieder an.

Zahnriemen ersetzen

- Durch unzureichende Spannung des Zahnriemens rutscht dieser von der Antriebs- oder der angetriebenen Scheibe ab. Ein lockerer Riemen muss ersetzt werden.
- Schalten Sie die Dickenhobelmaschine aus und trennen Sie sie vom Stromnetz.
- Demontieren Sie die Handkurbel (9) und lösen und entfernen Sie dann die Befestigungsschrauben (2) (siehe Abb. I), damit Sie die Seitenabdeckung abnehmen können. Auf diese Weise erhalten Sie Zugang zum Zahnriemen (siehe Abb. J).
- Entfernen Sie die obere Scheibenabdeckung (siehe Abb. K).
- Nehmen Sie den alten Riemen ab, indem Sie ihn Stück für Stück abwechselnd von den beiden Scheiben abziehen. Ziehen Sie den Riemen vorsichtig nach außen, während Sie gleichzeitig die Scheiben drehen (siehe Abb. L).

Hinweis: Um die Riemenscheiben zu drehen, muss die rote, selbsteinrastende Sperrnase festgehalten werden, damit sich die Scheiben nicht arretieren.

- Ziehen Sie einen neuen Riemen auf. Folgen Sie dabei dem oben beschriebenen Vorgang zum Abnehmen des Zahnriemens, aber gehen Sie in entgegengesetzter Reihenfolge vor.
- Vergewissern Sie sich, dass der Riemen überall gleichmäßig in den Scheibenrillen sitzt.
- Bringen Sie die Seitenabdeckung und die Handkurbel wieder an und befestigen Sie sie.

Lagerung

- Gerät samt Zubehör in seinem Koffer an einem sicheren, trockenen Ort außerhalb der Reichweite von Kindern lagern.

Kontakt

Informationen zu Reparatur- und Kundendienst erhalten Sie unter der Rufnummer (+44) 1935/382222.

Webseite: www.tritontools.com

GB-Postanschrift:

Toolstream Ltd.
Boundary Way
Lufton Trading Estate
Yeovil, Somerset
BA22 8HZ Großbritannien

EU-Postanschrift:

Toolstream B.V.
Hogeweg 39
5301 LJ Zaltbommel
Niederlande

Entsorgung

Beachten Sie bei der Entsorgung von defekten und nicht mehr reparablen Elektrowerkzeugen die geltenden Vorschriften und Gesetze.

- Elektrowerkzeuge, Batterien und andere elektrische und elektronische Altgeräte nicht über den Hausmüll entsorgen.
- Lassen Sie sich von der zuständigen Behörde bezüglich der ordnungsgemäßen Entsorgung von Elektrowerkzeugen und Batterien beraten.

Fehlerbehebung

Störung	Mögliche Ursache	Empfohlene Abhilfe
Motor überhitzt	Motor überbelastet	Motorlast reduzieren; Maschine abschalten, bis der Motor abgekühlt ist
	Übermäßige Staubbildung führt zu reduzierter Luftzirkulation	Angesammelten Staub entfernen
Gerät schaltet sich plötzlich aus	Sicherheitsschalter ausgelöst	Gerät abschalten und Sicherheitsschalter-Rücksetztaste betätigen
Häufige Auslösung des Sicherheitsschalters	Motor überbelastet	Motorlast reduzieren
	Unzureichende Kapazität des Sicherheitsschalters	Gegen geeigneten Sicherheitsschalter austauschen
	Schaltkreisüberlastung	Schaltkreislast reduzieren
	Hobelmesser stumpf	Messer schärfen oder ersetzen
Absatz an Werkstückkante	Unzureichende Abstützung des Werkstücks	Lange Werkstücke zusätzlich mit Böcken abstützen
	Hobelmesser stumpf	Hobelmesser austauschen
	Ungleichmäßiger Druck auf Messerwalze	Werkstück während des Betriebs behutsam vorschieben
	Walzengehäuse (1) verläuft nicht parallel zum Dickentisch	Walzengehäuse entsprechend dem Tisch anpassen
	Werkstück ist nicht richtig angelegt	Werkstückkanten beim Durchlaufen der Dickenhobelmaschine aneinanderlegen
Gehobelte Oberfläche nicht glatt	Hobelmesser stumpf	Hobelmesser austauschen
	Faserige Oberfläche aufgrund hoher Holzfeuchte	Nur trockenes Holz bearbeiten
	Angerissene Oberfläche durch Hobeln gegen die Faserrichtung	Werkstück drehen und in Faserrichtung zuführen
	Zu hohe Spanabnahme	Spanabnahme verringern
	Stärke variiert von Seite zu Seite	Walzengehäuse liegt nicht parallel zur Hobelgrundplatte; Ausrichtung des Walzengehäuses korrigieren
Schwierigkeiten beim Einstellen der Höhe des Walzengehäuses	Walzengehäuse ist verriegelt	Riegel des Walzengehäuses lösen
	Verschlossene Gewindespindeln	Gewindespindel austauschen
	Schmutzige Gewindespindeln	Gewindespindeln reinigen und schmieren
	Walzengehäuse verläuft nicht parallel zum Dickentisch	Walzengehäuse neu ausrichten
	Unzureichende Kapazität des Sicherheitsschalters	Walzengehäuse reinigen und neu einstellen

Garantie

Zur Anmeldung Ihrer Garantie besuchen Sie bitte unsere Website tritontools.com* und tragen dort Ihre persönlichen Daten ein.

Kaufinformation

Kaufdatum: ___/___/___

Modell: TPT125

Bewahren Sie bitte Ihren Beleg als Kaufnachweis auf.

Wenn sich Teile dieses Produkts innerhalb von 3 Jahren ab Originalkaufdatum infolge fehlerhafter Materialien oder Arbeitsausführung als defekt erweisen, garantiert Triton der kaufenden Person mangelhafte Teile nach eigenem Ermessen entweder kostenlos zu reparieren oder zu ersetzen.

Diese Garantie gilt nicht für kommerzielle Verwendung und erstreckt sich nicht auf normalen Verschleiß oder Schäden infolge von Unfall, Missbrauch oder unsachgemäßer Verwendung.

*Bitte registrieren Sie Ihren Artikel innerhalb von 30 Tagen nach dem Kauf online.

Es gelten die allgemeinen Geschäftsbedingungen.

Ihre gesetzlich festgelegten Rechte werden dadurch nicht eingeschränkt.

Traduzione delle istruzioni originali

Introduzione

Grazie per aver acquistato questo prodotto Triton. Questo manuale contiene le informazioni necessarie per un funzionamento sicuro ed efficace di questo prodotto. Questo prodotto ha caratteristiche uniche e, anche se si ha familiarità con prodotti simili, è necessario leggere attentamente questo manuale per assicurarsi di comprendere a pieno le istruzioni. Assicurarsi che tutti gli utenti del prodotto leggano e comprendano a pieno questo manuale. Conservare le istruzioni con il prodotto per eventuali consultazioni future.

Descrizione dei simboli

La targhetta sul vostro prodotto può mostrare simboli. Questi rappresentano importanti informazioni sul prodotto o istruzioni sul suo utilizzo.



Indossare una protezione acustica
Indossare una protezione per gli occhi
Indossare una protezione respiratoria
Indossare un casco protettivo



Indossare una protezione per le mani



AVVERTENZA - Per ridurre il rischio di lesioni, l'utente deve leggere il manuale di istruzioni



Indossare indumenti di protezione



Costruzione di classe I (terra protettiva)



NON usare in ambienti piovosi o umidi!



AVVERTENZA: le parti in movimento possono provocare lesioni da schiacciamento e tagli.



Rischio di contraccolpo!



Solo per uso interno!



Protezione Ambientale

I rifiuti di prodotti elettrici non devono essere smaltiti insieme ai rifiuti domestici. Riciclare dove esistono strutture idonee. Verificare con le autorità locali o con il vostro rivenditore per consigli sul riciclaggio



AVVERTENZA PERICOLO DI SOLLEVAMENTO

Il sollevamento da parte di una singola persona potrebbe causare lesioni

Farsi assistere da qualcuno per lo spostamento o il sollevamento

AVVERTENZA: Questo prodotto è pesante, per questo, per precauzione, è consigliabile che venga assemblato da due persone.




Conforme agli attuali standard legislativi e di sicurezza

Abbreviazioni tecniche

V	Volt
~	Corrente alternata
A, mA	Ampere, milliampere
n_0	Velocità a vuoto
\emptyset	Diametro
°	Gradi
Hz	Hertz
W, kW	Watt, Kilowatt
min ⁻¹	Operazioni al minuto
cpm	Tagli al minuto
dB (A)	Livello sonoro in decibel (A ponderato)
m / s ²	Metri al secondo quadrato (ampiezza della vibrazione)

Specifiche tecniche

Modello numero:	TPT125
Tensione in ingresso:	220-240 V~ , 50/60 Hz
Potenza:	1100 W
Tagli al minuto:	17.500 cpm
Velocità in assenza di carico:	8750 min ⁻¹
Altezza di piallatura:	3,2 - 152 mm
Larghezza di piallatura:	317 mm
Lunghezza di piallatura minima:	380 mm

Dimensioni del banco di lavoro:	317 x 597 mm
Dimensioni porta per l'estrazione della polvere:	Interne: 48 mm Esterne: 53 mm
Classe di protezione:	
Protezione ingresso:	IP20
Peso:	22,2 kg
Come parte del nostro continuo sviluppo, le specifiche dei prodotti Triton possono modificare senza preavviso.	
Informazioni su suoni e vibrazioni:	
Pressione sonora L_{pa} :	90,9 dB (A)
Potenza sonora L_{WA} :	103,9 dB (A)
Incertezza K:	3 dB (A)
Il livello di intensità del suono per l'operatore potrebbe superare gli 85 dB (A) rendendo necessarie misure di protezione.	

AVVERTENZA: indossare sempre protezioni per le orecchie, quando il livello sonoro supera i 85 dB (A) e limitare il tempo di esposizione, se necessario. Se i livelli sonori dovessero creare disagio anche con la protezione auricolare, smettere di utilizzare lo strumento immediatamente e controllare che la protezione acustica sia montata correttamente e che fornisca il giusto livello di isolamento acustico per il livello del suono prodotto dal tuo strumento.

AVVERTENZA: l'esposizione dell'utente alle vibrazioni dello strumento può causare la perdita del senso del tatto, intorpidimento, formicolio e riduzione della capacità di presa. Una lunga esposizione può portare ad una condizione cronica. Se necessario, limitare la durata di esposizione alle vibrazioni e utilizzare guanti anti-vibrazione. Non utilizzare l'utensile se la temperatura delle mani è al di sotto del normale, in quanto ciò aumenterà l'effetto delle vibrazioni. Utilizzare i dati forniti nelle specifiche tecniche relativi alle vibrazioni per calcolare la durata e la frequenza di funzionamento dell'utensile.

AVVERTENZA: l'emissione delle vibrazioni durante l'uso effettivo del dell'utensile può essere diverso dal valore totale dichiarato in quanto dipende dalle modalità in cui viene utilizzato lo strumento. Vi è la necessità di identificare le misure di sicurezza per proteggere l'operatore che si basano su una stima dell'esposizione nelle effettive condizioni d'uso (tenendo conto di tutte le parti del ciclo operativo come i tempi in cui lo strumento è spento e quando è attivo a vuoto oltre al tempo di attivazione).

Il valore totale della vibrazione dichiarato è stato misurato secondo un metodo di prova standard e può essere utilizzato per confrontare uno strumento con un altro. Il valore totale della vibrazione dichiarata può anche essere utilizzato in una valutazione preliminare dell'esposizione.

I livelli sonori nelle specifiche sono determinati seguendo gli standard internazionali.

I dati rappresentano un normale utilizzo per l'utensile in condizioni di lavoro generali. Un utensile tenuto in cattive condizioni, montato in modo errato o utilizzato in maniera impropria può essere causa di un aumento dei livelli sonori e delle vibrazioni. www.osha.europa.eu fornisce informazioni sui livelli sonori e delle vibrazioni nei luoghi di lavoro utili agli utenti domestici che utilizzano utensili per lunghi periodi di tempo.

Sicurezza Generale

AVVERTENZA: Quando si utilizzano utensili elettrici, è necessario seguire sempre le precauzioni di sicurezza di base per ridurre il rischio di incendi, scosse elettriche e lesioni personali, comprese le seguenti informazioni di sicurezza. Leggere tutte le istruzioni prima di mettere in funzione il prodotto e conservarle per un uso futuro.

AVVERTENZA: Questo apparecchio non è destinato all'uso da parte di persone (compresi i bambini) con ridotte capacità fisiche o mentali o con scarsa esperienza o conoscenza, a meno che non siano state sottoposte a supervisione o istruzioni sull'uso dell'apparecchio da parte di una persona responsabile della loro sicurezza. I bambini devono essere sorvegliati per assicurarsi che non giochino con l'apparecchio.

ATTENZIONE: Utilizzare l'utensile elettrico, gli accessori, le punte ecc. in conformità alle presenti istruzioni, tenendo conto delle condizioni di lavoro e dell'attività da svolgere. L'uso dell'utensile elettrico per operazioni diverse da quelle previste potrebbe causare situazioni di pericolo.

Il termine "utensile elettrico" nelle avvertenze si riferisce all'utensile elettrico alimentato a rete (con cavo) o a batteria (senza cavo).

- Tenere libera l'area di lavoro** - Le aree ostruite e la presenza di banchi di lavoro possono causare lesioni
- Considerare l'ambiente dell'area di lavoro**
 - Non esporre gli attrezzi alla pioggia
 - Non usare attrezzi in contesti dove c'è umido o bagnato
 - Tenere ben illuminata l'area di lavoro
 - Non usare gli attrezzi alla presenza di liquidi o gas infiammabili
- Protegersi dalle scosse elettriche** - Evitare che il corpo entri in contatto con superfici di massa (ad esempio tubi, radiatori, fornelli e frigoriferi)
- Tenere altre persone a debita distanza** - Non consentire ad altre persone, in particolar modo bambini, non coinvolti col lavoro in fase di esecuzione, di toccare il dispositivo o il cavo-prolunga e tenerli a debita distanza dall'area di lavoro
- Riporre gli attrezzi non in fase di utilizzo** - Quando non vengono utilizzati, gli attrezzi vanno riposti in un luogo asciutto, fuori dalla portata dei bambini
- Non esercitare forza sul dispositivo** - Il dispositivo alimentato a corrente funzionerà in modo migliore e più sicuro se usato per lo scopo per cui è stato realizzato
- Usare lo strumento adeguato** - Non forzare accessori di piccole dimensioni per eseguire il lavoro di un dispositivo più potente
 - Non usare gli attrezzi per obiettivi non previsti; ad esempio, non usare seghe circolari per tagliare tronchi o ceppi

- 8 **Vestirsi in modo adeguato**
- Non indossare indumenti o gioielleria allentati, che possono restare impigliati nelle parti in movimento
 - Si consiglia di indossare calzature di sicurezza adeguate quando si cammina all'aperto
 - Indossare cuffie protettive per contenere i capelli lunghi
- 9 **Indossare strumentazione di protezione**
- Usare occhiali di sicurezza
 - Usare maschere per il volto o maschere anti-polvere qualora si operi in condizioni in cui viene generata polvere
- ⚠️ AVVERTENZA:** Il mancato uso di strumentazione protettiva o indumenti adeguati può causare lesioni personali o aumentare la gravità del danno.
- 10 **Collegamento di un sistema di estrazione delle polveri** - Qualora i dispositivi vengano forniti per essere collegati con sistemi di estrazione e raccolta delle polveri, verificare che i summenzionati dispositivi vengano collegati e usati in modo adeguato.
- 11 **Non usare in modo errato il cavo di alimentazione** - Non strappare mai il cavo di alimentazione per eseguire lo scollegamento dalla presa di corrente. Tenere il cavo di alimentazione lontano dalle sorgenti di calore, da olio e da superfici affilate. I cavi danneggiati o impigliati aumentano il rischio di scosse elettriche.
- 12 **Lavoro sicuro** - Ove possibile, usare una pinza o una morsa per tenere fermo il pezzo sottoposto a lavorazione. Si tratta di un metodo più sicuro rispetto all'utilizzo delle mani.
- 13 **Non allungarsi troppo** - Restare sempre ben appoggiati a terra con i piedi e in perfetto equilibrio.
- 14 **Sottoporre gli attrezzi a una manutenzione adeguata**
- Tenere gli strumenti di taglio affilati e puliti ne semplifica il controllo e riduce al tempo stesso la possibilità di blocco sul pezzo da sottoporre a lavorazione
 - Attenersi alle istruzioni per la lubrificazione e la sostituzione degli accessori
 - Ispezionare i cavi del dispositivo a intervalli periodici; se danneggiati, rivolgersi a una struttura autorizzata per l'intervento
 - Ispezionare le prolunghe a intervalli regolari; ove danneggiate, provvedere alla loro sostituzione
 - Tenere asciutte le maniglie, pulite e senza olio e grasso.
- ⚠️ AVVERTENZA:** Molti incidenti sono causati da dispositivi non regolarmente sottoposti a manutenzione
- 15 **Scollegamento degli attrezzi** - Scollegare gli strumenti dalla presa di corrente quando non sono in uso, e anche quando vengono sostituiti accessori quali ad esempio lame, punte e taglierini
- ⚠️ AVVERTENZA:** L'uso di accessori o altri dispositivi non consigliato dal produttore possono causare rischio di lesioni a persone.
- 16 **Togliere le chiavi di regolazione** - Prendere l'abitudine di controllare se le chiavi di regolazioni vengono rimosse dall'attrezzo prima di accenderlo.
- 17 **Evitare di avviare in modo accidentale il dispositivo** - Verificare che l'interruttore sia in posizione "O" quando si collega alla presa di corrente principale, quando viene inserito un pacco batterie o quando il dispositivo viene sollevato o trasportato
- ⚠️ AVVERTENZA:** L'avvio imprevisto di un accessorio può causare gravi lesioni.
- 18 **Uso di prolunghe all'esterno** - Quando il dispositivo viene usato all'aperto, usare unicamente prolunghe previste per questo tipo di utilizzo. Accertarsi che il prodotto rechi l'indicazione della possibilità di essere usato in questo senso. L'uso di prolunghe idonee per l'utilizzo all'aperto riduce il rischio di scosse elettriche.
- 19 **Restare vigili**
- Fare attenzione a ciò che si fa, usare buon senso e non usare l'attrezzo quando si è stanchi.
 - Non usare questi dispositivi quando si è sotto l'effetto di droghe, sostanze alcoliche o farmaci.
- ⚠️ AVVERTENZA:** Mentre si sta utilizzando un dispositivo alimentato a corrente, un momento di disattenzione può causare gravi lesioni personali.
- 20 **Controllare la presenza di componenti danneggiate**
- Prima di usare l'accessorio, verificarlo con attenzione per capire se può funzionare in modo adeguato conformemente allo scopo per cui è stato progettato.
 - Controllare l'allineamento delle parti mobili, il grippaggio delle componenti in movimento, la rottura delle componenti e altre situazioni che potrebbero influire sul corretto funzionamento del dispositivo.
 - Riparare le eventuali protezioni danneggiate oppure rivolgersi al centro assistenza autorizzato salvo indicazione contraria sul presente manuale.
 - Rivolgersi a un centro assistenza autorizzato per la sostituzione degli interruttori difettosi
- ⚠️ AVVERTENZA:** Non usare l'accessorio se l'interruttore ON/OFF non funziona correttamente. L'interruttore deve essere riparato prima di poter usare l'attrezzo.
- 21 **Utilizzare gli accessori consigliati** - Consultare il manuale d'uso per gli accessori consigliati
- ⚠️ AVVERTENZA:** L'uso di accessori o dispositivi diversi da quelli raccomandati nel presente manuale di istruzioni può comportare il rischio di lesioni personali.
- 22 **Rivolgersi a un tecnico qualificato per la riparazione** - Questo dispositivo è conforme alle disposizioni di sicurezza. Le riparazioni vanno eseguite unicamente da persone qualificate; in caso contrario si potrebbero verificare gravi danni per l'utente.
- ⚠️ AVVERTENZA:** Durante gli interventi di manutenzione, sostituire unicamente con componenti originali.
- ⚠️ AVVERTENZA:** Qualora il cavo di alimentazione sia danneggiato sarà opportuno rivolgersi al produttore o a un centro assistenza autorizzato per provvedere alla sua sostituzione.
- 23 **La spina del dispositivo alimentato a corrente deve corrispondere alle specifiche della presa di corrente** - Non modificare mai la presa. Non usare adattatori con nessun dispositivo alimentato a corrente dotato di messa a terra (massa). L'uso di spine non modificate e prese adeguate ridurrà il rischio di scosse elettriche.

- 24 **Qualora il dispositivo alimentato a corrente venga usato all'aperto, servirsi di un dispositivo di corrente residua (RCD)** - L'uso di un dispositivo di questo tipo riduce il rischio di scosse elettriche.
- 25 **Se il dispositivo viene usato in Australia o Nuova Zelanda, si consiglia di alimentarlo SEMPRE tramite un dispositivo di corrente residua con una corrente residua nominale di 30mA o inferiore.**
- 26 **Utilizzare una prolunga adeguata. Assicurarsi che la prolunga sia in buone condizioni. Quando si utilizza una prolunga, assicurarsi di usarne una abbastanza pesante da sopportare la corrente assorbita dal prodotto.** Un cavo sottodimensionato provoca una caduta della tensione di linea con conseguente perdita di potenza e surriscaldamento. La tabella A indica le dimensioni corrette da utilizzare in base alla lunghezza del cavo e alla potenza nominale di targa. In caso di dubbio, utilizzare il calibro immediatamente superiore. Più piccolo è il numero del calibro, più pesante è il cavo.
- 27 **Non lasciare mai l'utensile in funzione incustodito.** Spegnerne l'apparecchio. Non lasciare l'utensile finché non si arresta completamente.

Anche se usato come prescritto, non è possibile eliminare tutti i fattori di rischio residui. Usare con cautela. Se non si è sicuri del modo corretto e sicuro di usare questo strumento, non tentate di usarlo.

AVVERTENZA: Prima di collegare un dispositivo a una sorgente di alimentazione (presa di corrente, presa, ecc.) verificare che la tensione corrisponda a quella indicata sulla targhetta del dispositivo. L'uso di una sorgente di alimentazione con tensione superiore a quella indicata per il dispositivo stesso può causare gravi lesioni all'utente oltre che danni al dispositivo stesso. In caso di dubbi, non collegare il dispositivo. L'uso di una sorgente di alimentazione con tensione inferiore a quella indicata sulla targhetta è dannoso per il motore.

Tabella A

Potenza nominale in Ampere		Volts	Lunghezza totale del cavo in metri			
		120	7,5	15	30,5	46
		240	15	30,5	61	92
Più di	Non più di		Calibro minimo del cavo			
0	6		18	16	16	14
6	10		18	16	14	12
10	12		16	16	14	12
12	16		14	12	Non consigliato	

Sicurezza degli attrezzi da taglio

AVVERTENZA: Prima di collegare un dispositivo a una sorgente di alimentazione (presa di corrente, presa, ecc.) verificare che la tensione corrisponda a quella indicata sulla targhetta del dispositivo. L'uso di una sorgente di alimentazione con tensione superiore a quella indicata per il dispositivo stesso può causare gravi lesioni all'utente oltre che danni al dispositivo stesso. In caso di dubbi, non collegare il dispositivo. L'uso di una sorgente di alimentazione con tensione inferiore a quella indicata sulla targhetta è dannoso per il motore.

Uso dello strumento di taglio corretto

- Assicurarsi che l'utensile da taglio sia adatto al lavoro da svolgere. Non dare per scontato che un utensile sia adatto senza aver controllato la documentazione del prodotto prima dell'uso.

Protezione degli occhi

- Indossare sempre protezioni per gli occhi adeguate durante l'utilizzo degli strumenti di taglio
- Gli occhiali non sono stati pensati per fornire protezione durante l'utilizzo del prodotto; le normali lenti da vista non resistono agli urti e si potrebbero frantumare

Protezione dell'udito

- Indossare sempre protezioni per l'udito adeguate, qualora il livello di rumore dello strumento superi gli 85db

Protezione del sistema respiratorio

- Indossate sempre, e verificate che gli altri intorno a voi indossino sempre maschere protettive per il sistema respiratorio

Protezione delle mani

- Evitare che le mani si avvicinino alla ruota di taglio o alle lame. Servirsi di un bastoncino per i pezzi da lavorare più gli strumenti elettrici adeguati

Attenzione alle persone intorno

- L'utente ha la responsabilità di verificare che le persone nelle immediate vicinanze dell'area di lavoro non siano esposte a rumori o polveri pericolosi, e che siano dotate della strumentazione di protezione adeguata

Oggetti nascosti

- Ispezionare l'oggetto da sottoporre a lavorazione, togliere tutti i chiodi e gli altri oggetti eventualmente conficcati al suo interno prima di procedere con l'operazione di taglio
- Non cercare di tagliare materiali che contengono oggetti conficcati a meno che non si sappia con certezza che il dispositivo di taglio fornito col dispositivo è idoneo per la tipologia di lavoro da eseguire.
- Le pareti possono nascondere cablaggi, tubazioni, i pannelli delle porte dell'auto possono celare linee carburante, e l'erba lunga può nascondere sassi e vetri. Controllare sempre tutta l'area di lavoro prima di procedere

Attenzione agli scarti che volano via

- In alcune situazioni, gli scarti possono essere fatti schizzare via ad alta velocità dallo strumento di taglio. L'utente ha la responsabilità di garantire che le altre persone nell'area di lavoro siano protette dalla possibilità di scarti che schizzano via ad alta velocità.

Montaggio degli strumenti di taglio

- Verificare che gli strumenti di taglio siano inseriti in modo corretto e sicuro; verificare che le pinze/strumenti di regolazione vengano rimossi prima dell'uso
- Usare solo i dispositivi di taglio consigliati per la propria macchina
- Non cercare di modificare i dispositivi di taglio
- Verificare che le lame siano affilate, in buone condizioni e inserite in modo adeguato
- Non cercare di affilare nuovamente le lame. Le lame indurite o le lame derivanti da leghe indurite, che di norma contengono tungsteno, non possono essere nuovamente affilate a meno che non si disponga dell'apposita strumentazione
- Installare solo lame appositamente progettate e previste per essere usate con questo dispositivo
- Qualora le lame incontrino oggetti per cui non risultano idonee, sarà opportuno procedere immediatamente alla loro sostituzione

Direzione di inserimento

- Inserire il pezzo da sottoporre a lavorazione verso la lama o il taglierino sempre in direzione contraria rispetto al movimento della lama o del taglierino

Attenzione al calore

- Gli strumenti di taglio e i pezzi di lavoro si possono surriscaldare in fase di utilizzo. Non cercare di sostituire gli accessori prima che gli stessi si siano completamente raffreddati

Controllo polvere / sfido

- Non consentire la formazione di polvere o sfidi. La segatura presenta pericolo d'incendio e gli sfidi di metallo sono pericolosi.
- Prestare in particolar modo attenzione in fase di taglio di legno e metalli. Le scintille che derivano dal taglio dei metalli sono una causa comune di incendio in presenza di polveri di legno.
- Ove possibile, servirsi di un sistema di estrazione delle polveri per garantire un ambiente di lavoro più sicuro

Sicurezza della pialla a spessore

⚠ AVVERTENZA: Non utilizzare mai l'utensile senza l'apposita protezione in posizione o correttamente regolata.

⚠ AVVERTENZA: Tutte le parti del blocco fresa non utilizzate per la piallatura devono essere protette.

⚠ AVVERTENZA: Quando si piallano pezzi stretti, possono essere necessarie misure aggiuntive, come l'uso di dispositivi di pressione orizzontale, per garantire un lavoro sicuro.

⚠ AVVERTENZA: Gli utensili per piallare non devono essere utilizzati per tagliare battute, rientranze, tenoni o sagome.

- **Usare una protezione respiratoria adeguata.** *L'uso di questo strumento può generare polvere contenente sostanze chimiche note per causare cancro, difetti di nascita o altri danni riproduttivi. Alcuni legni contengono conservanti come l'arsenato di rame cromato (CCA) che può essere tossico. Durante la levigatura, la foratura o il taglio di questi materiali è necessario prestare particolare attenzione per evitare l'inalazione e ridurre al minimo il contatto con la pelle.*

- **Utilizzare esclusivamente lame affilate.** *Maneggiare le lame con molta attenzione e con guanti antitaglio.*

⚠ AVVERTENZA: Non utilizzare coltelli smussati per non aumentare il pericolo di rinculo.

- **Assicurarsi che tutti i tessuti, le corde, gli stracci, le corde e simili siano rimossi dall'area di lavoro.** *Per evitare il bloccaggio nel meccanismo della pialla.*
- **Lasciare che l'utensile raggiunga la massima velocità prima di entrare in contatto con il pezzo e iniziare il taglio.**
- **Ricordarsi SEMPRE di spegnere la macchina e lasciare che le lame si fermino completamente prima di effettuare qualsiasi regolazione, pulizia o manutenzione.**
- **Sostituire tutte le lame contemporaneamente,** *In caso contrario, lo squilibrio risultante causerà vibrazioni e ridurrà la durata della pialla e delle lame.*
- **Non tentare di eseguire operazioni di taglio non raccomandate dal produttore.** *Con questo utensile non è consentito eseguire tagli interrotti, rientranze, tenoni, sagome o piallare il legno fortemente incurvato.*
- **Non utilizzare la pialla a spessore se non è stata fissata su una superficie di lavoro sicura.** *Senza un fissaggio sufficiente, la pialla a spessore può muoversi bruscamente durante il funzionamento, causando potenzialmente gravi lesioni all'operatore.*
- **Durante le operazioni di piallatura, tenere sempre il bastone di spinta accanto al piano di lavoro.** *Quando si piallano pezzi corti, è necessario utilizzare il bastone di spinta. Utilizzare il bastone di spinta per accompagnare il pezzo in lavorazione quando si è in prossimità della lama e quando il pezzo in lavorazione ha uno spessore inferiore a 75 mm.*
- **Non tentare di piallare il materiale fortemente arcuato se il contatto con la tavola di alimentazione è insufficiente per lavorare in sicurezza.**
- **Non eseguire operazioni di piallatura su materiale più corto di una dimensione pari alla lunghezza della testa della fresa più 50 mm, più stretto di 19 mm, o più largo della capacità della fresa in pollici o più sottile di 13 mm.**
- **Mantenere i rapporti corretti tra le superfici del tavolo di ingresso e di uscita e il percorso dei coltelli della testa di taglio.**
- **Sostenere adeguatamente il pezzo da lavorare in ogni momento dell'operazione; mantenere sempre il controllo del lavoro.**
- **Non arretrare l'oggetto che si sta lavorando verso il piano d'ingresso.**
- **Non tentare di eseguire un'operazione anomala o poco utilizzata senza averla studiata o senza l'uso di adeguati blocchi di bloccaggio/spinta, maschere, dispositivi di fissaggio, arresti, ecc.**
- **Quando si trasporta l'utensile, assicurarsi che vengano utilizzate le maniglie di trasporto (non l'impugnatura di comando) e che tutti i meccanismi di bloccaggio e le protezioni siano saldamente in posizione.**

Prevenzione dei contraccolpi

Nota bene: Il contraccolpo si verifica quando la lama si blocca rapidamente, a causa di una pressione, di un vincolo o di un disallineamento, e spinge il pezzo da lavorare verso l'operatore. Può anche trascinare la mano dell'operatore all'interno della lama, causando gravi lesioni.

⚠ AVVERTENZA: Il contraccolpo è il risultato di un uso improprio dell'utensile e/o di procedure o condizioni operative non corrette; tuttavia, se si prendono le dovute precauzioni, le forze di contraccolpo possono essere controllate dall'operatore o evitate del tutto:

- a) **MAI tentare di tagliare con una lama smussata o deformata.** Assicurarsi SEMPRE che la lama sia adatta al materiale da tagliare.
- b) **Assicurarsi SEMPRE che la guida/tavolo sia parallela alla lama.** Se la guida/tavolo si inclina verso la lama, il pezzo può entrare in contatto con il bordo posteriore della lama.
- c) **FARE ATTENZIONE quando si tagliano pezzi di grandi dimensioni.** Assicurarsi che i pezzi più grandi siano adeguatamente sostenute da supporti adeguati in entrata e in uscita.
- d) **NON tagliare pezzi rotondi o che non possono essere appoggiati in piano sul tavolo.** Evitare di tagliare legno contorto, deformato o nodoso.
- e) **NON tagliare legno bagnato, poiché produce un attrito maggiore contro la lama.** La segatura bagnata può accumularsi sulla lama, aumentando ulteriormente la probabilità di contraccolpi.
- f) **Mantenere SEMPRE una presa salda con entrambe le mani sul pezzo da lavorare e posizionare le braccia in modo da resistere alle forze di contraccolpo.**
- g) **Rimanere fuori dalla traiettoria della lama e posizionare il corpo ai lati della lama, ma non in linea con la lama.**
- h) **NON uscire dal taglio.** Se si deve interrompere un taglio prima che sia completato, spegnere l'utensile e rimuovere il pezzo dall'utensile una volta che la lama ha smesso di girare.
- i) **UTILIZZARE SEMPRE bastoni di spinta, ove opportuno, per guidare il pezzo attraverso la lama.** Se possibile, utilizzare tavole di piume per tenere fermo il pezzo da lavorare.

Familiarizzazione con il prodotto

1. Cilindro del rullo
2. Viti di fissaggio del pannello laterale
3. Righello di elevazione
4. Puntatore del righello
5. Scivolo per la polvere
6. Viti esagonali per lo scivolo polvere
7. Bullone di fissaggio della manovella
8. Tappo per bullone di fissaggio manovella
9. Impugnatura della manovella
10. Banco di alimentazione
11. Centro banco
12. Pulsante reset dell'interruttore di circuito
13. Interruttore ON/OFF
14. Cappuccio di accesso spazzole

15. Chiave esagonale
16. Viti esagonali del pannello copri lama
17. Pannello copri lama
18. Posizioni di fissaggio dello scivolo polvere
19. Magneti

Uso previsto

Piallatrice montata su banco di lavoro, alimentata a corrente per attività di grande portata su fogli di legno duro e morbido più lunghi di 380 mm. In grado di preparare legno con spessori diversi e di produrre pezzi di legno quadrati per la realizzazione di giunti. Piallatura a spessore per creare tavole piatte uniformi destinate a vari progetti.

Disimballaggio

- Disimballare con cura e ispezionare lo strumento. Acquisire familiarità con tutte le sue caratteristiche e funzioni
- Assicurarsi che tutte le parti dello strumento siano presenti e in buone condizioni. In caso di parti mancanti o danneggiate, sostituirle prima di tentare di utilizzare questo strumento

Prima dell'uso

⚠ AVVERTENZA: collegare SEMPRE l'alimentazione prima di effettuare qualsiasi regolazione, ispezione, manutenzione o pulizia.

⚠ AVVERTENZA: Indossare SEMPRE guanti anti-taglio quando si maneggiano il cilindro del rullo (1) le sue sottocomponenti.

Installazione su banco

- Posizionare l'unità su una superficie solida, piana, in modo che la superficie di appoggio sia orizzontale e l'unità non possa capovolgersi.
 - Qualora la piallatrice debba essere utilizzata in una posizione permanente, si consiglia di fissarla a un piano di lavoro rigido, attenendosi a queste istruzioni:
1. Servirsi dei fori alla base della piallatrice (immagine A) come modello per segnare e praticare quattro fori nella superficie destinata al montaggio (ad esempio banco di lavoro). Fissare l'unità in posizione servendosi di bulloni, rondelle e dadi (non forniti in dotazione)
 2. Qualora si necessiti di una piallatrice più "portatile", fissare un'asse alla base; sarà dunque più facile fissarla e toglierla dalle diverse superfici di appoggio
 3. Qualora vengano usati bulloni, verificare che siano lunghi a sufficienza per penetrare nel banco di lavoro o che garantiscano una tenuta sufficiente.

Montaggio della manovella

Montare la manovella (9) in posizione (vedi immagine principale) sul lato destro della pialla:

1. Infilare la rondella a molla sul bullone di fissaggio manovella (7)
2. Montare la manovella sulla vite di elevazione (immagine B)
3. Utilizzare il bullone per fissare la manovella in posizione. Utilizzare la chiave esagonale (15) per serrare il bullone
4. Inserire il tappo del bullone di fissaggio manovella (8) per nascondere il fissaggio

Fissare lo scivolo caduta polvere

Lo scivolo per la polvere (5) può essere montato per l'estrazione dei rifiuti alle due estremità della pialla.

1. Utilizzare le 2 viti esagonali per lo scivolo per la polvere (6) per montare lo scivolo sul cilindro del rullo (1) usando le posizioni di fissaggio dello scivolo (18) (immagine C).
2. Dopo aver fissato lo scivolo in posizione, collegare il sistema di estrazione
3. Accendere il sistema di estrazione della polvere prima di utilizzare la pialla

Controllare che il cilindro del rullo sia a livello

- Il cilindro del rullo (1) è allineato e controllato in fabbrica. L'allineamento può tuttavia andare perso in fase di trasporto e movimentazione.
- Qualora il cilindro del rullo non sia a livello col centro del banco (11) si otterrà un taglio affusolato dove lo spessore di un lato è diverso rispetto all'altro. Può anche causare l'usura irregolare della lama
- Verificare che le lame siano allineate correttamente con un giro di prova: lavorare due pezzi su ogni lato (destro e sinistro) della pialla
- Misurare e confrontare i risultati per verificare che le lame siano correttamente allineate e/o per determinare la quantità di correzione richiesta
- Qualora sia necessario ri-allineare le lame rimandiamo alla sezione "Manutenzione - Ri-allineamento del cilindro del rullo"

Funzionamento

⚠ AVVERTENZA: Scollegare SEMPRE dalla corrente prima di eseguire eventuali interventi di regolazione, manutenzione o pulizia.

⚠ AVVERTENZA: Indossare SEMPRE guanti anti-taglio quando si maneggiano il cilindro del rullo (1) le sue sottocomponenti.

Linee guida importante per un utilizzo sicuro di questo strumento

- Scollegare la macchina dalla corrente ogni volta che vengono regolate o sostituite parti o accessori
- Verificare che l'interruttore ON/OFF sia in posizione "OFF" prima di collegare lo strumento alla rete elettrica.
- Tenere le mani lontane da tutte le parti in movimento
- Indossare occhiali protettivi e una mascherina
- Assicurarsi che tutte le parti mobili si muovano liberamente e che siano libere da interferenze.
- Tenere le lame affilate, allineate e correttamente fissate alla testa di taglio.
- Non accendere mai la macchina con il pezzo in lavorazione a contatto con le lame
- Ogni volta che la pialla non è in uso, spegnere e scollegare dalla rete elettrica
- Mantenere la pialla in buone condizioni di funzionamento. Seguire le istruzioni di manutenzione (vedi "Manutenzione").
- Non utilizzare mai la pialla per effettuare tagli parziali - consentire alla pialla di tagliare la lunghezza del pezzo
- Non usare la pialla per tagliare nicchie, tenoni, matrici.

Capacità del pezzo da sottoporre a lavorazione

- I pezzi sottoposti a lavorazione devono rispettare le dimensioni minime e massime seguenti:
 - I. Spessore minimo: 3,2 mm
 - II. Lunghezza minima: 380 mm
 - III. Larghezza minima: 19 mm
 - IV. Larghezza massima: 317 mm
- Non utilizzare legno debole, secco o danneggiato e con grandi nodi che potrebbe spezzarsi nel meccanismo di piallatura, in quanto ciò potrebbe danneggiare il meccanismo e il motore provocando contraccolpi
- Verificare che il legno sia privo di oggetti all'interno, tra cui viti, chiodi e graffette. Gli oggetti incorporati possono causare gravi danni allo strumento e sono un rischio per la sicurezza se espulso, un'altra causa di contraccolpo
- Non piallare legno chinato/ curvato in cui c'è contatto insufficiente con il banco di ingresso
- Questa pialla è progettata solo per legno naturale
- Rimuovere colla e oggetti estranei dal pezzo prima di eseguire la piallatura
- Utilizzare l'intera larghezza della testa di taglio per evitare l'usura irregolare delle lame

Regolazione altezza del cilindro del rullo

- Il cilindro del rullo (1) contiene il motore, la testa di taglio con le lame e i rulli di alimentazione di entrata e di uscita
- Ruotare la manovella (9) per alzare o abbassare il cilindro del rullo. Un giro completo della manovella alza o abbassa il cilindro del rullo di 1,58 mm
- Il puntatore del righello (4) e il righello di elevazione (3) forniscono una lettura, in graduazioni metrica e imperiale, dell'altezza della testa di taglio al di sopra del centro del banco (11) e, quindi, dello spessore approssimativo del pezzo di lavoro dopo la piallatura
- La scala di elevazione viene calibrata in fabbrica. Per la lavorazione precisa del legno, si consiglia di controllare la dimensione con pinze o uno spessore digitale prima e dopo ogni passata di taglio.

Impostazione della profondità di taglio

- Per proteggere il motore e la testa di taglio, la profondità massima di taglio consigliata per un singolo passaggio deve seguire le misure indicate qui di seguito:

Profondità di taglio massima	
Larghezza del pezzo in lavorazione	Profondità di taglio massima
Fino a 125 mm	2,38 mm
Da 125 mm fino a 317 mm	1,6 mm

Per impostare la profondità di taglio:

1. Misurare lo spessore attuale del pezzo in lavorazione e confrontare con lo spessore richiesto

2. Fare riferimento alla tabella sopra indicata "Profondità di taglio massima" per determinare se siano necessari uno o più passaggi con la pialla
3. Qualora sia richiesto un solo passaggio:
 - Utilizzare la manovella per alzare o abbassare il cilindro del rullo (1) fino a quando il puntatore del righello (4) non indichi, sul righello di elevazione (3), lo spessore finale del pezzo richiesto
4. Qualora sia richiesto un solo passaggio:
 - a) Si consiglia di dividere il totale richiesto in passaggi approssimativamente di profondità pari
 - b) Per il primo taglio e per gli eventuali tagli intermedi, impostare il cilindro del rullo sullo spessore attuale del pezzo da lavorare meno la profondità calcolata nel passaggio sopra (a)
 - c) Verificare le misure dopo ogni taglio servendosi di pinze o di uno spessore digitale

Accensione e spegnimento

- L'interruttore ON/OFF (13) si trova sulla parte frontale della piallatrice
- Per accendere la pialla, premere il pulsante verde ON (I)
- Per spegnere la pialla, premere il pulsante rosso OFF (O)

Interruttore

- Un interruttore di circuito è installato sull'interruttore ON/OFF (13) (Immagine M)
- Qualora venga rilevata una corrente eccessiva, l'interruttore di circuito bloccherà l'alimentazione per proteggere il motore
- Prima di resettare l'interruttore controllare il motore, l'interruttore, la presa di corrente, al fine di verificare la presenza di cortocircuiti o componenti danneggiate
- Per resettare l'interruttore:
 - o Premere il pulsante rosso (O) di modo che la macchina si spenga
 - o Premere il pulsante reset dell'interruttore di circuito (12)

Funzionamento della piallatrice

⚠ AVVERTENZA: Utilizzare sempre i dispositivi di protezione adeguati, compresa la protezione degli occhi, delle vie respiratorie e la protezione dell'udito, quando si lavora con questo strumento.

- Per ottenere i migliori risultati determinare la profondità e lo spessore di taglio desiderati prima della piallatura. Dato che c'è un limite alla massima profondità di taglio, possono essere necessari diversi passaggi per raggiungere lo spessore finale
- In generale, i tagli sottili producono un risultato migliore in termini di levigatezza della superficie finita e di spessore. Inoltre, causano meno contraccolpo, creano meno frammenti e causano una minore usura della testa di taglio e del motore
- Per evitare contraccolpi, mai fare tagli più profondi di 2,4 mm in un solo passaggio
- Qualora sia necessario più di un passaggio, il cilindro del rullo (1) deve essere abbassato manualmente prima di ogni passaggio
- Impostare sempre una profondità di taglio sottile per il legno duro, pezzi larghi e pezzi con una superficie irregolare
- Evitare legno di magazzino con molti nodi o con torsione eccessiva o pezzi che si piegano

- Se necessario, passare un lato con una fresatrice a tasselli o con una piallatrice a spessore prima per ottenere almeno una superficie piana prima di usare la pialla
 - Passare la pialla su entrambi i lati del pezzo, eliminando metà della profondità totale da ogni lato. Questo produrrà due superfici lisce con uguale contenuto di umidità e quindi minori possibilità di pieghe in fase di asciugatura naturale
 - Fare un taglio di prova con materiale simile per verificare l'esattezza delle impostazioni prima della piallatura del pezzo
 - Far avanzare il pezzo in direzione della venatura, se possibile
 - Fornire un supporto adatto per pezzi lunghi o larghi
1. Impostare la pialla/piallatrice per la profondità di taglio desiderata (vedi "Impostazione della profondità di taglio")
 2. Stare dalla parte dove si trova la manovella (9). Mai stare direttamente di fronte al pezzo e non permettere a nessuno di posizionarsi nelle vicinanze della zona di taglio della pialla quando in funzione. I contraccolpi e le schegge viaggeranno in questa direzione

3. Posizionare il pezzo sul banco frontale (10) con la superficie da piallare rivolta verso l'alto
4. Accendere la macchina (ON) e consentire alla testa di taglio di raggiungere velocità massima
5. Tenendo saldamente il pezzo, muoverlo lentamente verso e sul rullo di alimentazione

Nota: Non inserire un pezzo nella pialla tramite il banco di uscita.

6. Smettere di spingere il pezzo una volta che è innestato dal rullo di alimentazione. L'avanzamento a rulli muoverà il pezzo automaticamente attraverso la pialla
7. Non forzare il taglio. Rallentamenti o interruzioni possono surriscaldare il motore
8. Tenere sempre le mani ben lontane dalle lame o dall'area d'espulsione dei frammenti di legno, mentre il motore è in funzione
9. Sostenere il peso di pezzi di grandi dimensioni mentre si muovono attraverso la pialla per stabilizzare il pezzo e ridurre gli scarti
10. Spostarsi sulla parte posteriore della macchina per ricevere il pezzo in lavorazione. Non tirare il pezzo; consentire ai rulli di eseguire il loro lavoro
11. Se un pezzo si inceppa all'interno della macchina: spegnere la macchina (OFF), togliere la spina dalla rete di alimentazione, alzare il cilindro del rullo dal pezzo e PERMETTERE ALLA MACCHINA DI ARRIVARE A UN ARRESTO COMPLETO
12. Non avvicinarsi mai alla macchina mentre è in funzione o mentre si sta fermando
13. Utilizzare rulli di entrata e di uscita o supporti quando si lavora con pezzi lunghi
14. Per la lavorazione precisa del legno, misurare lo spessore del pezzo con pinze o uno spessore digitale dopo ogni passaggio

Accessori

- Una gamma di accessori e le lame per la pialla sono disponibili presso il vostro rivenditore Triton.
- I pezzi di ricambio possono essere acquistati presso il vostro rivenditore Triton oppure online su www.toolsaresonline.com

Manutenzione

⚠️ AVVERTENZA: Scollegare SEMPRE dalla corrente prima di eseguire eventuali interventi di ispezione, manutenzione o pulizia.

⚠️ AVVERTENZA: Indossare SEMPRE guanti anti-taglio quando si maneggiano il cilindro del rullo (1) e le sue sottocomponenti.

Nota: Gli eventuali danni al dispositivo dovrebbero essere riparati e ispezionati con cura prima dell'uso servendosi a tecnici qualificati

Nota: Rivolgersi a un tecnico qualificato per la riparazione del dispositivo; servirsi unicamente di pezzi di ricambio identici. In questo modo viene garantita la sicurezza dello strumento.

- Questo strumento è stato realizzato con componenti eccellenti e si avvale delle più recenti tecnologie intelligenti per proteggere lo strumento e le sue componenti. In condizioni d'uso normali dovrebbe fornire una lunga durata

Pulizia e lubrificazione

- Tenere la macchina pulita in ogni momento. La sporcizia e la polvere causano una rapida usura delle componenti interne e riducono la durata di vita del dispositivo stesso. Pulire il corpo della macchina con una spazzola morbida o un panno asciutto. Ove disponibile, usare aria pulita, secca e compressa tramite i fori di ventilazione
- Dopo l'uso, aspirare la piallatrice per rimuovere i trucioli di legno, la segatura e i detriti
- Utilizzare una soluzione per la pulizia (non inclusa) per rimuovere resine e residui di grasso
- Rimuovere segatura, trucioli di legno e il grasso dalle catene e gli ingranaggi
- I cuscinetti nel motore e le unità della testa di taglio sono sigillati in fabbrica e non dovrebbero richiedere ulteriore lubrificazione
- Quattro componenti richiedono lubrificazione regolare:
 - o Meccanismo delle vite di elevazione verticale sul cilindro rullo (x2)
 - o Camma di blocco cilindro rullo
 - o Guide verticali (x4) cilindro del rullo
 - o Catena di trasmissione del rullo di alimentazione di entrata
- Togliere la parte superiore e i due pannelli laterali per accedere a questi componenti
- Pulire la catena di trasmissione prima della lubrificazione. Usare spruzzi d'olio (non incluso) per lubrificare la catena. Dare tempo al lubrificante di penetrare tra le maglie, poi pulire la superficie della catena ed asciugarla
- Rimuovere eventuali residui di grasso da altri componenti, con gli spiriti minerali se necessario, quindi applicare una mano di grasso multiuso a un grado leggero (non incluso)
- Il banco di lavoro e il banco di estensione possono essere rivestiti con uno strato molto sottile di cera lubrificante (non inclusa) per proteggere la superficie dalla ruggine e per facilitare l'alimentazione durante il funzionamento

Ri-allineare il cilindro del rullo

- Testare l'allineamento delle lame passando due pezzi su ogni lato (destro e sinistro) della pialla
- Misurare e confrontare i risultati per verificare che le lame siano correttamente allineate e/o per determinare la quantità di correzione richiesta

- Per correggere eventuali disallineamenti:
 1. Girare la pialla/piallatrice e togliere la spina dalla presa di corrente
 2. Con cautela posizionare la pialla sul dorso
 3. Rimuovere le viti sulla staffa di fissaggio orizzontale del mandrino sul lato della pialla dov'è posizionata la manovella (9) (immagine D)
 4. Disinnestare con attenzione le marce (immagine E)
 5. Ruotare lentamente la manovella per alzare o abbassare il cilindro del rullo e riposizionarla sulla vite verticale
 6. Ruotare la manovella in avanti o indietro come richiesto al fine di correggere il disallineamento. Ogni giro completo della manovella rappresenta una regolazione di 1,5 mm
 7. Re-inserire la marcia e riposizionare staffa di fissaggio orizzontale del mandrino
 8. Riposizionare con cautela la pialla/piallatrice verticalmente
 9. Eseguire un test per verificare che il cilindro del rullo ora sia a livello
 10. Ripetere il processo di correzione, se è necessaria un'ulteriore regolazione

Controllo e sostituzione delle lame

Ispezione delle lame:

1. Individuare il pannello copri lama (17) sul retro della pialla. Allentare e rimuovere le viti esagonali del pannello copri lama (16) su entrambi i lati e sollevare il pannello (immagine F)
2. Identificare la testa di taglio all'interno e le DUE lame taglienti sulla testa di taglio
3. Senza toccare le lame, girare accuratamente la testa di taglio fino a quando il fermo scatti, bloccando la testa di taglio
4. Utilizzare la chiave esagonale (15) per rimuovere le sei viti sulla piastra di copertura della lama (immagine G)
5. Usando i due magneti (19), rimuovere con cautela la piastra di copertura della lama
6. Poi utilizzare i magneti per rimuovere la lama
7. Verificare che la lama non presenti segni di usura o danni. Una lama non affilata, consumata, intaccata o irregolare può compromettere le prestazioni della piallatrice

Sostituzione di una lama:

Nota: Sostituire le lame solo in coppia.

Nota: Non mescolare mai una lama nuova con una vecchia sulla testa di taglio. Non mescolare mai le lame con diversi gradi di usura. Non usare mai una lama con un'usura sbilanciata sui due lati della lama e mai utilizzare lame diverse da quelle specificate dal produttore.

1. Utilizzare i magneti (19) per raccogliere e posizionare la nuova lama sulla testa di taglio
2. Posizionare la lama in modo che si posizioni in modo sicuro sui due perni
3. Utilizzare i magneti per trasferire la piastra di copertura di nuovo sulle lame
4. Posizionare la piastra di copertura in modo che i sei fori siano allineati con i fori sulla testa di taglio
5. Stringere e fissare con i sei bulloni

Controllo e sostituzione della seconda lama:

1. Per accedere all'altra lama, tirare delicatamente e tenere premuto il fermo sul lato della testa di taglio per rilasciarlo (immagine H)
2. Una volta che la testa di taglio ruota, rilasciare il fermo
3. Senza toccare le lame, girare accuratamente la testa di taglio fino a quando il fermo per bloccare la testa non scatti di nuovo
4. Ripetere la stessa procedura per verificare e sostituire la seconda lama

Controllo e sostituzione delle spazzole

- Nel corso del tempo le spazzole di carbonio all'interno del motore si potrebbero usurare
- Delle spazzole eccessivamente usurate possono causare perdita di corrente, funzionamento a intermittenza o scintille visibili a occhio nudo
- La durata di vita delle spazzole varia, a seconda dei carichi del motore. Consigliamo di ispezionare le spazzole ogni 100 ore di utilizzo.
- Sostituire le spazzole se la lunghezza del carbonio è stata usurata fino a meno di 9,5 mm, o se le molle sono usurate, o se è stata riscontrato un calo prestazionale nel motore.
- Sostituire solo con parti nuove e sempre sostituire entrambe le spazzole
- Per controllare e sostituire le spazzole:
 1. Svitare i cappucci di accesso spazzole (14) su entrambi i lati del motore
 2. Togliere le spazzole e controllare l'usura
 3. Inserire spazzole nuove, se necessario, e riposizionare il coperchio copri spazzole

Sostituzione della cinghia di trasmissione

- Una tensione inadeguata nella cinghia di trasmissione causerà uno scivolamento della cinghia. Sostituire immediatamente le cinghie allentate.
 1. Girare la pialla e togliere la spina dalla presa di corrente
 2. Rimuovere la manovella (9), poi allentare e rimuovere le viti di fissaggio del pannello laterale (2) (immagine I) in modo che sia possibile togliere il pannello laterale. Sarà così possibile accedere alla trasmissione a cinghia (immagine J)
 3. Rimuovere il coperchio della puleggia superiore (immagine K)
 4. Rimuovere la vecchia cinghia in modo alternativo facendola scivolare fuori da ciascuna delle pulegge. Estrarre delicatamente la cinghia verso l'esterno mentre tirando le pulegge, allo stesso tempo. (immagine L)

Nota: Per attivare le pulegge cinghia di trasmissione, sarà necessario mantenere il fermo ad auto-innesto rosso, in modo che le pulegge non vengano bloccate in posizione.

5. Sostituirla con una nuova cinghia facendola passare sulla puleggia nel modo inverso rispetto a quello utilizzato per rimuovere la cinghia consumata
6. Assicurarsi che la cinghia sia appoggiata sulle scanalature della puleggia
7. Riposizionare e fissare il pannello di copertura e la manovella

Conservazione

- Conservare questo utensile con cura in un luogo sicuro, asciutto e lontano dalla portata dei bambini

Contatti

Per consigli tecnici e per eventuali riparazioni, si prega di contattare il nostro servizio di assistenza telefonico al numero (+44) 1935 382 222

Sito web: www.tritontools.com

Indirizzo (RU):

Toolstream Ltd.,
Boundary Way,
Lufton Trading Estate,
Yeovil, Somerset,
BA22 8HZ, Regno Unito

Indirizzo (UE):

Toolstream B.V.
Hogeweg 39
5301 LJ Zaltbommel
Paesi Bassi

Smaltimento

Rispettare sempre le normative nazionali per lo smaltimento di elettroattrezzi che non sono più funzionali e non sono atti alla riparazione.

- Non gettare utensili elettrici o apparecchiature elettriche ed elettroniche (RAEE) con i rifiuti domestici
- Contattare l'autorità locale di smaltimento rifiuti per informazioni sul modo corretto di smaltire gli utensili elettrici

Risoluzione dei problemi

Problema	Possibile causa	Soluzione
Surriscaldamento del motore	Sovraccarico del motore	Ridurre il carico sul motore. Spegnerne la macchina finché il motore non si raffredda
	Eccessivo accumulo di polvere con conseguente riduzione della circolazione	Eliminare l'accumulo di polvere
Perdita di potenza	Interruttore automatico scattato	Spegnerne la macchina e premere il pulsante di reset dell'interruttore di circuito.
Intervento frequente dell'interruttore automatico	Sovraccarico del motore	Ridurre il carico del motore
	Capacità inadeguata dell'interruttore automatico	Sostituire con l'interruttore automatico corretto
	Sovraccarico del circuito	Ridurre il carico del circuito
	Le lame sono smussate	Affilare o sostituire le lame
Colpi	Supporto inadeguato del pezzo da lavorare	Sostenere il pezzo lungo con una piattaforma aggiuntiva
	Lame smussate	Sostituire le lame
	Forza non uniforme sulla testa della lama	Regolare il livello del tavolo e del cilindro del rullo
	Il cilindro del rullo (1) non è parallelo al tavolo	Regolare banco e cilindro del rullo per portarli allo stesso livello
	Il pezzo non è inserito correttamente	Controllare ogni pezzo da un capo all'altro mentre passa attraverso la pialla a spessore
La superficie piallata non è liscia	Le lame sono smussate	Sostituire le lame
	Grana sfocata a causa dell'elevato contenuto di umidità nel legno	Utilizzare legno secco
	Venatura strappata a causa delle lame che tagliano contro la venatura	Cambiare direzione e far avanzare il pezzo lungo la venatura
	Il taglio è troppo profondo	Ridurre la profondità di taglio
	Spessore non uniforme da un lato all'altro	Il cilindro del rullo non è posizionato in piano rispetto alla base della pialla a spessore. Regolare l'allineamento del cilindro del rullo
Difficoltà nella regolazione dell'altezza del cilindro del rullo	Il blocco del cilindro del rullo è inserito	Sbloccare il blocco del cilindro del rullo
	Viti di elevazione usurate	Sostituire le viti di elevazione
	Viti di elevazione sporche	Pulire e lubrificare le viti di elevazione
	Il cilindro del rullo non è posizionato parallelamente al tavolo	Riallineare il cilindro del rullo
	Capacità inadeguata dell'interruttore automatico	Pulire e regolare il cilindro del rullo

Garanzia

Per la registrazione della garanzia visitare il sito web tritontools.com* e inserire i propri dettagli.

Informazioni sull'acquisto

Data di acquisto: ___/___/___

Modello N.: TPT125

Conservare lo scontrino come prova dell'acquisto

Triton Precision Power Tools garantisce all'acquirente di questo prodotto che, se qualsiasi parte dovesse presentare difetti di materiale o di fabbricazione entro 3 ANNI dalla data di acquisto originale, Triton riparerà o sostituirà, a sua discrezione, la parte difettosa gratuitamente.

Questa garanzia non si applica ad uso commerciale né si estende alla normale usura o a danni a seguito di incidenti, abuso o uso improprio dell'utensile.

Registra il tuo prodotto on-line entro 30 giorni dall'acquisto.

Vengono applicati i termini e le condizioni generali.

Ciò non pregiudica i tuoi diritti legali

Traducción del manual original

Introducción

Gracias por haber elegido esta herramienta Triton. Estas instrucciones contienen la información necesaria para utilizar este producto de forma segura y eficaz. Lea atentamente este manual para obtener todas las ventajas y características únicas de su nueva herramienta. Conserve este manual a mano y asegúrese de que todas las personas que utilicen esta herramienta lo hayan leído y entendido correctamente.

Descripción de los símbolos

Los siguientes símbolos pueden aparecer en la placa de características de su herramienta. Estos símbolos representan información importante sobre el producto o instrucciones relativas a su uso.



Lleve protección auditiva
Lleve protección ocular
Lleve protección respiratoria
Lleve un casco de seguridad



Lleve guantes de seguridad



ADVERTENCIA: Para reducir el riesgo de lesiones, el usuario debe leer y comprender completamente el manual de instrucciones.



Lleve ropa de protección adecuada



Protección de clase I (protección a tierra)



NO utilizar en ambientes húmedos o bajo la lluvia



ADVERTENCIA: Los mecanismos móviles de esta herramienta pueden causar cortes y lesiones personales.



Tenga precaución - ¡Peligro de contragolpe!



Para uso solo en interiores



Protección medioambiental

Los productos eléctricos usados no se deben mezclar con la basura convencional. Están sujetos al principio de recogida selectiva. Solicite información a su ayuntamiento o distribuidor sobre las opciones de reciclaje.



ADVERTENCIA

LEVANTAMIENTO DE CARGAS PESADAS.

LEVANTAMIENTO DE CARGAS PESADAS. Riesgo de lesiones. Solicite asistencia para levantar o mover este producto.

ADVERTENCIA: Producto pesado. Se necesitan más de una persona para montar esta herramienta.




Conforme a las normas de seguridad y la legislación correspondiente

Abreviaturas de términos técnicos

V	Voltio/s
~	Corriente alterna
A, mA	Amperio/s, miliamperio/s
n_0	Velocidad sin carga
\varnothing	Diámetro
°	Grados
Hz	Hercio/s
W, kW	Vatio/s, kilovatio/s
min ⁻¹	(revoluciones/oscilaciones) por minuto
c/min	Cortes por minutos
dB(A)	Nivel de decibelios (ponderada A)
m/s ²	Metros cuadrados por segundo (vibración)

Características técnicas

Modelo:	TPT125
Tensión de entrada:	220 - 240 V~, 50/60 Hz
Potencia:	1100 W
Cortes por minuto:	17.500 c/min
Velocidad sin carga:	8.750 min ⁻¹
Altura de corte:	3,2 - 152 mm
Ancho de corte:	317 mm
Longitud de corte mínima:	380 mm
Dimensiones de la mesa:	317 x 597 mm
Diámetro de la salida de extracción de polvo:	Interior: 48 mm Exterior: 53 mm

Clase de protección:	
Grado de protección:	IP20
Peso:	22,2 kg
Como parte de nuestra política de desarrollo de productos, los datos técnicos de los productos Triton pueden cambiar sin previo aviso.	
Información sobre ruido y vibración:	
Presión acústica L_{pa} :	90,9 dB(A)
Potencia acústica L_{wa} :	103,9 dB(A)
Incertidumbre k	3 dB(A)
El nivel de intensidad sonora para el usuario puede exceder de 85 dB(A). Se recomienda usar medidas de protección auditiva.	

⚠ ADVERTENCIA: Utilice siempre protección auditiva cuando el nivel ruido exceda 85 dB(A) o cuando esté expuesto durante largos periodos de tiempo. Si por algún motivo nota algún tipo de molestia auditiva incluso llevando orejeras de protección, detenga inmediatamente la herramienta y compruebe que las orejeras de protección estén colocadas adecuadamente.

⚠ ADVERTENCIA: La exposición a la vibración durante la utilización de una herramienta puede provocar pérdida del sentido del tacto, entumecimiento, hormigueo y disminución de la capacidad de sujeción. La exposición durante largos periodos de tiempo puede provocar enfermedad crónica. Si es necesario, limite el tiempo de exposición a la vibración y utilice guantes anti-vibración. No utilice la herramienta cuando sus manos estén muy frías, las vibraciones tendrán un mayor efecto. Utilice los datos técnicos de su herramienta para evaluar la exposición y medición de los niveles de ruido y vibración.

⚠ ADVERTENCIA: Las vibraciones producidas durante el uso de esta herramienta pueden ser diferentes al valor total declarado. Las variaciones pueden variar dependiendo del tipo de método de uso de esta herramienta. Por lo tanto, será necesario aplicar todas las medidas de seguridad apropiadas para proteger al usuario durante el uso de esta herramienta. Habrá que tener en cuenta todos los aspectos relacionados con el ciclo de trabajo (apagado de la herramienta, funcionamiento sin carga y tiempo de accionamiento).

El nivel total de vibraciones producidas ha sido medido mediante un proceso estándar y podrá evaluarse tomando como referencia los datos de emisión comparativos de máquinas similares. El nivel de vibración total también podrá utilizarse en una evaluación de exposición previa.

Los niveles de vibración y ruido están determinados según las directivas internacionales vigentes.

Los datos técnicos se refieren al uso normal de la herramienta en condiciones normales. Una herramienta defectuosa, mal montada o desgastada puede incrementar los niveles de ruido y vibración. Para más información sobre ruido y vibración, puede visitar la página web www.osha.europa.eu

Instrucciones de seguridad

⚠ ADVERTENCIA: Lea siempre cuidadosamente todas las advertencias e instrucciones seguridad para utilizar este producto de forma segura. No seguir estas instrucciones podría causar una descarga eléctrica, incendio y/o lesiones graves. Guarde estas instrucciones con la herramienta para poderlas consultar en el futuro.

⚠ ADVERTENCIA: Esta herramienta no ha sido diseñada para ser utilizada por personas (incluidos niños) con capacidades físicas o mentales reducidas, o por falta de experiencia o conocimiento, salvo que estén bajo la supervisión de una persona responsable que garantice la seguridad durante el uso del producto. Se recomienda vigilar a los niños para que no jueguen con esta herramienta.

⚠ ADVERTENCIA: Utilice esta herramienta eléctrica y los accesorios según el manual de instrucciones y teniendo en cuenta las condiciones y el trabajo que necesite realizar. El uso de cualquier accesorio diferente a los mencionados en este manual podría ocasionar daños o lesiones graves.

El término "herramienta eléctrica" descrito en este manual se refiere a una herramienta alimentada por conexión eléctrica mediante cable (herramienta alámbrica) o una herramienta eléctrica alimentada por batería (herramienta inalámbrica).

- Las áreas de trabajo desordenadas y oscuras** son peligrosas y pueden provocar un accidente.
- Entorno de trabajo adecuado**
 - No utilice esta herramienta bajo la lluvia.
 - No utilice esta herramienta en áreas húmedas o mojadas.
 - Mantenga el área bien iluminada.
 - No utilice esta herramienta en áreas con gases o líquidos inflamables.
- Descargas eléctricas** - Evite el contacto con superficies puestas a tierra tales como tuberías, radiadores, estufas y refrigeradores.
- Mantenga alejadas a otras personas** - Mantenga alejados a los niños y personas que se encuentren a su alrededor mientras esté trabajando con una herramienta eléctrica.
- Almacenaje de la herramienta** - Guarde siempre las herramientas eléctricas en un lugar seco fuera del alcance de los niños.
- No fuerce la herramienta** - La herramienta correcta funcionará mejor y con más seguridad a la velocidad para la que se ha diseñado.
- Utilice las herramientas y accesorios adecuados** - No intente realizar una herramienta pequeña para intentar realizar trabajos intensivos.

No intente realizar un trabajo con una herramienta o accesorio que no sea adecuado; por ejemplo, no utilice esta sierra para cortar ramas o troncos de árboles.

8 Vístase de forma correcta

- No lleve ropa holgada ni joyas.
- Se recomienda un calzado de seguridad adecuado cuando se trabaje en exteriores
- Mantenga el pelo recogido.

9 Use equipo de protección personal

- Utilice siempre protección ocular.
- Use mascarara de protección anti-polvo.

⚠ ADVERTENCIA: No usar equipo de protección o ropa apropiada puede causar lesiones personales o aumentar la gravedad de una lesión.

- 10 **Extracción de polvo** - Utilice siempre un dispositivo de extracción de polvo/aspiradora y asegúrese de utilizarlos de manera apropiada.
- 11 **No use nunca el cable de alimentación** para transportar la herramienta eléctrica, tirar de ella o desenchufarla. Mantenga el cable de alimentación alejado de fuentes de calor, del aceite, de los bordes afilados o piezas móviles. Sujete las piezas de trabajo.
- 12 **Sujete la pieza de trabajo** - Utilice siempre abrazaderas o un tornillo de banco para sujetar la pieza de trabajo. No adopte posturas forzadas.
- 13 **No se estire demasiado** - Colóquese en posición firme y mantenga el equilibrio en todo momento.
- 14 **Mantenimiento de las herramientas**
- Mantenga las herramientas de corte siempre afiladas y limpias. Las herramientas de corte correctamente afiladas son menos propensas a trabarse y son más fáciles de controlar.
 - Lubrique las piezas y accesorios necesarios.
 - Inspeccione el cable de alimentación periódicamente. En caso de estar dañado, contacte con un servicio técnico autorizado para su reparación.
 - Inspeccione los cables de extensión regularmente y repárelos si están dañados.

Mantenga siempre las empuñaduras limpias de grasa y aceite.

⚠ ADVERTENCIA: Muchos accidentes son causados por herramientas eléctricas que carecen de un mantenimiento adecuado.

- 15 **Desenchufe la herramienta.** Desconecte la herramienta eléctrica antes de instalar accesorios (brocas, fresas, disco de corte) o realizar cualquier tarea de mantenimiento.
- ⚠ ADVERTENCIA:** Utilice sólo accesorios y piezas recomendadas por el fabricante para evitar riesgos de lesiones y accidentes.
- 16 **Retire todas las llaves de ajuste** - Retire siempre todas las llaves de ajuste antes de encender y utilizar la herramienta.
- 17 **Encendido accidental.** Asegúrese de que el interruptor esté en la posición de apagado antes de enchufar la herramienta.

⚠ ADVERTENCIA: El encendido accidental puede causar lesiones graves.

- 18 **Cables de extensión para exteriores** - Cuando utilice una herramienta eléctrica en el exterior, use un cable de extensión adecuado para uso en exteriores. La utilización de un cable adecuado para exteriores reduce el riesgo de descargas eléctricas.

19 Manténgase alerta

- Fíjese en lo que está haciendo y use el sentido común cuando esté utilizando una herramienta eléctrica.
- No use herramientas eléctricas si se encuentra cansado o bajo la influencia de drogas, alcohol o medicamentos.

⚠ ADVERTENCIA: Distraerse mientras esté utilizando una herramienta eléctrica puede provocar lesiones graves.

20 Piezas en mal estado

- Compruebe que su herramienta funcione correctamente antes de utilizarla.
- Revise que no haya piezas en movimiento mal alineadas, trabadas, piezas rotas o cualquier otra condición que pueda afectar el funcionamiento de la herramienta eléctrica.
- Algunas de las piezas (ej. protector) deben ser reparadas solamente por un servicio técnico autorizado.
- Los enchufes dañados deben repararse únicamente por un servicio técnico autorizado.

⚠ ADVERTENCIA: No utilice la herramienta si el botón de encendido/apagado no funciona correctamente. El interruptor deberá ser reparado antes de utilizar la herramienta.

- 21 **Reparación de su herramienta.** Utilice la herramienta eléctrica y los accesorios compatibles< siguiendo siempre las instrucciones suministradas por el fabricante.

⚠ ADVERTENCIA: Utilice sólo accesorios y piezas recomendadas por el fabricante para evitar riesgos de lesiones y accidentes.

- 22 **Lleve siempre su herramienta eléctrica a un servicio técnico cualificado** - Esta herramienta eléctrica cumple con las normas de seguridad pertinentes. No seguir estas instrucciones podría provocar lesiones graves e invalidar la garantía.

⚠ ADVERTENCIA: Utilice únicamente piezas de recambio idénticas.

⚠ ADVERTENCIA: Si el cable de alimentación está dañado, deberá ser sustituido por el fabricante o un servicio técnico autorizado.

- 23 **El enchufe de su herramienta eléctrica debe coincidir con la toma de corriente** - Nunca realice ningún tipo de modificación en el enchufe. No utilice enchufes de adaptadores con herramientas eléctricas conectadas a tierra (puestas a tierra). No modifique los enchufes y tomas de corriente para reducir el riesgo de descargas eléctricas.

- 24 **Si utiliza esta herramienta eléctrica en lugares exteriores, use un suministro protegido por un interruptor diferencial o disyuntor por corriente diferencial o residual (RCD).** - El uso de un RCD reduce el riesgo de descargas eléctricas.

- 25 **Cuando utilice esta herramienta en Australia o Nueva Zelanda, se recomienda conectar esta herramienta SIEMPRE una toma de corriente protegida con dispositivo de protección de corriente diferencial residual de 30 mA o inferior.**

- 26 **Utilice un cable alargador adecuado. Asegúrese de que el cable sea lo suficientemente resistente para el nivel de corriente requerido. Asegúrese de que el cable sea lo suficientemente resistente para el nivel de corriente requerido.** Un cable más fino disminuirá la tensión de corriente y provocará la pérdida de potencia y sobrecalentamiento de este producto. La tabla mostrada a continuación muestra el tipo de cable adecuado dependiendo de la longitud y amperaje requerido. Para mayor seguridad se recomienda utilizar siempre el cable más grueso. A menor calibre mayor será la resistencia del cable.

- 27 **Nunca deje la herramienta desatendida cuando esté en funcionamiento. Apague siempre la herramienta.** Asegúrese de que la herramienta se haya detenido completamente antes de dejarla desatendida.

Incluso cuando se esté utilizando según lo prescrito, no es posible eliminar todos los factores de riesgo residuales. Utilizar con precaución. Si no está completamente seguro de cómo utilizar este aparato correctamente, no intente utilizarlo.

⚠️ ADVERTENCIA: Antes de conectar esta herramienta a la toma de corriente, asegúrese de que la tensión eléctrica sea la misma que el especificada en la placa de datos de esta herramienta. Nunca conecte esta herramienta a una toma de corriente con una tensión incompatible, podría dañar la herramienta y provocar lesiones al usuario. En caso de duda, no conecte la herramienta a la red eléctrica. Utilizar una fuente con un voltaje inferior al valor nominal indicado en la placa de datos puede dañar el motor.

Tabla A						
Amperaje		Voltios	Longitud del cable			
		120	7,5	15	30,5	46
		240	15	30,5	61	92
Superior a	Inferior a		Calibre mínimo del cable			
0	6		18	16	16	14
6	10		18	16	14	12
10	12		16	16	14	12
12	16		14	12	No recomendado	

Instrucciones de seguridad para herramientas de corte

⚠️ ADVERTENCIA: Antes de conectar esta herramienta a la toma de corriente, asegúrese de que la tensión eléctrica sea la misma que el especificada en la placa de datos de esta herramienta. Nunca conecte esta herramienta a una toma de corriente con una tensión incompatible, podría dañar la herramienta y provocar lesiones al usuario. En caso de duda, no conecte la herramienta a la red eléctrica. Utilizar una fuente con un voltaje inferior al valor nominal indicado en la placa de datos puede dañar el motor.

Uso adecuado de la herramienta de corte

- Asegúrese de que la herramienta de corte sea la adecuada para el trabajo a realizar. No utilice esta herramienta sin haber leído antes toda la documentación suministrada con el producto.

Protección ocular

- Lleve siempre protección ocular adecuada cuando utilice herramientas de corte.
- Las gafas convencionales no están diseñadas para usar con esta herramienta. Este tipo de gafas no son resistentes a los impactos, usarlas podría causarle lesiones graves.

Protección auditiva

- Utilice siempre protección acústica adecuada cuando el ruido producido por la herramienta supere los 85 dB(A).

Protección respiratoria

- Asegúrese de que el usuario, así como las personas de su alrededor, utilicen siempre mascarillas adecuadas contra el polvo.

Protéjase las manos

- Nunca coloque sus manos cerca del accesorio de corte. Utilice siempre empujadores cuando vaya a cortar piezas de trabajo pequeñas.

Personas cercanas a la zona de trabajo

- Es responsabilidad del usuario asegurarse de que las personas cercanas al área de trabajo no estén expuestas al ruido o al polvo excesivo. Asegúrese de que todas las personas que se encuentren cerca del área de trabajo lleven equipo de protección adecuado.

Objetos ocultos

- Inspeccione el material a cortar y asegúrese de que no hay objetos ocultos (clavos, etc.) antes de empezar a cortar.
- Nunca corte piezas de trabajo que puedan tener objetos ocultos, excepto cuando el accesorio de corte utilizado en la herramienta sea adecuado para ello.
- En las paredes puede haber cables y tuberías ocultos, los paneles de la carrocería de los vehículos pueden esconder tubos de combustible. La hierba crecida puede haber piedras y trozos de cristal. Inspeccione siempre a fondo la zona de trabajo antes de empezar a cortar.

Material despedido de forma inesperada

- En algunas situaciones, el material puede salir despedido de la herramienta de corte a gran velocidad. Asegúrese de que no haya otras personas en la zona de trabajo. Si es necesaria la presencia de otras personas, es responsabilidad del usuario asegurarse de que lleven equipo protector adecuado.

Instalación de los accesorios de corte

- Asegúrese de que los accesorios de corte estén instalados correctamente y retire todas las llaves de ajuste antes de comenzar a cortar.
- Utilice solo accesorios de corte recomendados para su herramienta.
- No intente modificar los accesorios de corte.
- Asegúrese de que las hojas/cuchillas estén afiladas y colocadas firmemente.
- Nunca intente afilar cuchillas que no estén diseñadas para volver a afilarse. Nunca intente afilar cuchillas que no estén diseñadas para volver a afilarse, incluido hojas/cuchillas fabricadas en aleaciones endurecidas con carburo de tungsteno.
- Utilice solamente cuchillas compatibles con esta herramienta.
- Sustituya inmediatamente la hoja/cuchilla si esta queda atrapada por un objeto durante el corte.

Dirección de corte

- Introduzca siempre la pieza de trabajo hacia la cuchilla en sentido contrario al movimiento de la cuchilla.

Piezas calientes

- Recuerde que los accesorios de corte y el material a cortar pueden calentarse durante el uso. Nunca sustituya los accesorios hasta que se hayan enfriado completamente.

Polvo y residuos

- No deje que se acumulen el polvo o las virutas. El aserrín supone un riesgo de incendio y algunas virutas metálicas pueden ser explosivas.
- Tenga mucha precaución cuando corte madera y metal. Las chispas que produce el corte de metal son causa habitual de incendios producidos donde hay serrín.
- Utilice un dispositivo de extracción de polvo/aspiradora para mantener un entorno de trabajo limpio y seguro.

Instrucciones de seguridad para cepillos de banco y regresadoras

⚠️ ADVERTENCIA: Nunca utilice la herramienta sin la protección adecuada en su lugar o ajustada correctamente.

⚠️ ADVERTENCIA: Cualquier parte del mecanismo de corte que no se utilice para cepillar deberá estar protegida.

⚠️ ADVERTENCIA: Cuando se cepillan piezas de trabajo estrechas, pueden ser necesarias medidas adicionales, como el uso de dispositivos o empujadores horizontales, para garantizar un trabajo seguro.

⚠️ ADVERTENCIA: Los cepillos eléctricos no deben utilizarse para cortar rebajes, ranuras, espigas o moldes.

- **Utilice siempre protección respiratoria.** *Uso de esta herramienta puede generar polvo que contiene productos químicos que pueden provocar cáncer, defectos congénitos y otros daños reproductivos. Algunos tipos de maderas contienen conservantes altamente tóxicos como el arseniato de cobre cromado (CCA). Tenga especialmente precaución al lijar, perforar o cortar este tipo de materiales. Evite la inhalación y el contacto directo con la piel.*
- **Utilice solo cuchillas afiladas.** *Manipule las cuchillas con mucha precaución.*

⚠️ ADVERTENCIA: No utilice cuchillas desgastadas, ya que esto aumentará el riesgo de contragolpe.

- **Asegúrese de objetos tales como cuerdas, trapos y bayetas estén fuera del área de trabajo.** *De esta forma evitará que puedan quedar atascados en el mecanismo del cepillo de banco.*
- **Asegúrese de que la herramienta alcance su velocidad máxima antes de comenzar la tarea.**
- **Desconecte SIEMPRE la herramienta y deje que las cuchillas se detengan completamente antes de sustituir un accesorio o realizar cualquier tarea de mantenimiento.**

• **Sustituya todas las cuchillas al mismo tiempo, de lo contrario no obtendrá un buen funcionamiento y podría dañar la herramienta.**

• **Nunca realice cortes que no hayan sido recomendados por el fabricante.** *Los cortes de rebajes, ranuras, espigas o moldes no son compatibles con esta herramienta.*

• **Nunca utilice esta herramienta si no está sujeta sobre una superficie estable.** *El cepillo de banco debe estar sujeto de forma correcta para evitar que se produzcan accidentes.*

- **Mantenga siempre un empujador cerca de la mesa de entrada.** *Cuando se cepillen piezas cortas, se deberá utilizar siempre un empujador. Utilice un empujador para introducir el material cuando sus manos estén demasiado cerca de la cuchilla y cuando el grosor de la pieza de trabajo sea inferior a 75 mm.*
- **No intente cepillar material mal curvado si el contacto con la mesa de entrada es inadecuado.**
- **Nunca realice rebajes en piezas de trabajo con grosor menor a (las dimensiones equivalen a la longitud de la cuchilla más 50 mm, más estrechas que 19 mm o con grosor menor de 13 mm.**
- **Mantenga las relaciones adecuadas de las superficies de la mesa de entrada y salida y la trayectoria de la cuchilla del cabezal de corte.**
- **Mantenga los soportes para introducir y extraer la pieza al mismo nivel.**
- **Nunca introduzca la pieza de trabajo en la dirección opuesta.**
- **Nunca intente utilizar esta herramienta sin los accesorios, empujadores, topes y herramientas de sujeción adecuadas.**
- **Cuando transporte el cepillo de banco/regresadora, asegúrese de que se utilicen sus asas de transporte (no el asa/empuñadura de trabajo) y de que todos los mecanismos de bloqueo y protección estén colocados de forma segura.**

Prevención contra el contragolpe

Nota: El contragolpe es una reacción repentina causada por una hoja apresada, atascada o mal alineada, que hace que la sierra se levante de manera incontrolada dirigiendo la pieza de trabajo bruscamente hacia el usuario. En algunas ocasiones el contragolpe puede dirigir la mano del usuario hacia la hoja y provocar lesiones graves.

⚠️ ADVERTENCIA: El contragolpe es el resultado de un uso incorrecto de la herramienta y se puede evitar o controlar si toma las precauciones apropiadas de la siguiente manera:

- a) **NUNCA intente realizar un corte con una hoja dañada o desgastada.** *Asegúrese que el disco de corte sea adecuado para el material que vaya a cortar.*
- b) **Asegúrese SIEMPRE que la guía de corte esté colocada paralelamente a la hoja.** *Si la guía se mueve hacia la hoja, la pieza de trabajo podría entrar en contacto con la parte posterior de la hoja.*
- c) **Tenga PRECAUCIÓN al cortar paneles de madera de gran tamaño.** *Asegúrese de apoyar la pieza de trabajo utilizando soportes adecuados.*
- d) **NO corte piezas de trabajo con forma redondas o que no puedan colocarse de forma plana.** *Evite siempre cortar piezas de madera con formas deformadas e irregulares.*
- e) **NUNCA corte madera mojada ya que se producirá fricción en dirección opuesta al sentido de la hoja.** *Los restos de aserrín y polvo acumulados en la hoja incrementarán el riesgo de que se produzca un contragolpe.*
- f) **Agarre firmemente la pieza de trabajo con ambas manos y coloque sus brazos de forma que pueda contrarrestar el movimiento brusco producido en caso de contragolpe.**
- g) **Colóquese siempre en uno de los lados de la hoja. Nunca se coloque frente a la hoja.**

- h) **NUNCA retire la pieza de trabajo durante un corte.** En caso de interrupción durante el corte, apague y desenchufe la sierra y retire la pieza de trabajo una vez se haya detenido completamente la hoja.
- i) **Utilice SIEMPRE empujadores para guiar la pieza de trabajo durante el corte.** Utilice empujadores para sujetar la pieza de trabajo de forma segura.

Características del producto

1. Conjunto del rodillo
2. Tornillos de sujeción del panel lateral
3. Escala de ajuste de altura
4. Puntero de la escala
5. Salida de extracción de polvo
6. Tornillos hexagonales de la salida de extracción de polvo
7. Perno de sujeción de la manivela de ajuste
8. Tapa de la manivela de ajuste
9. Manivela de ajuste
10. Mesa de entrada
11. Mesa central
12. Botón de reinicio del disyuntor
13. Interruptor de encendido/apagado
14. Tapa de acceso a las escobillas
15. Llave hexagonal
16. Tornillos hexagonales del protector de la cuchilla
17. Protector de la cuchilla
18. Puntos de fijación para la salida de extracción de polvo
19. Imanes

Aplicaciones

Cepilladora/regresadora eléctrica de banco para utilizar en maderas duras y blandas con longitud superior a 380 mm. Ideal para crear paneles de madera uniformes y alterar el grosor de la pieza de trabajo.

- Desembale e inspeccione la herramienta con cuidado. Familiarícese con todas sus características y funciones.
- Asegúrese de que el embalaje incluya todas las piezas y compruebe que estén en buenas condiciones. Si faltan piezas o están dañadas, sustitúyalas antes de utilizar esta herramienta.

Antes de usar

⚠ ADVERTENCIA: Desconecte SIEMPRE la herramienta de la toma de corriente antes de inspeccionar, limpiar o realizar cualquier tarea de mantenimiento.

⚠ ADVERTENCIA: Lleve SIEMPRE guantes de protección resistentes a los cortes cuando manipule el conjunto del rodillo (1) y sus componentes.

Montaje en un banco de trabajo

- Coloque la herramienta sobre una superficie firme y plana para evitar que la herramienta pueda volcarse.

- Cuando utilice esta herramienta en un lugar fijo, deberá sujetar permanentemente la herramienta a la superficie de trabajo rígida:
 1. Utilice los agujeros situados en la base de la herramienta (Imagen A) para marcar y perforar cuatro agujeros en la superficie de montaje (banco de trabajo). Fije la herramienta utilizando pernos, arandelas y tuercas adecuadas (no suministrados).
 2. Cuando desee utilizar la herramienta en modo portátil, fije un tablero en la base para montar y desmontar la herramienta fácilmente sobre varias superficies de trabajo.
 3. Asegúrese de que los pernos sean lo suficientemente largos para poder sujetar la herramienta sobre una superficie o tablero de forma segura.

Instalación de la manivela de ajuste

Instale la manivela (9) en posición en el lado derecho de la herramienta (ver imagen principal):

1. Pase la arandela de resorte por el perno de sujeción de la manivela de ajuste (7).
2. Coloque la manivela sobre el tornillo de elevación (Imagen B).
3. Fije la manivela en la posición requerida apretando el perno de la manivela. Utilice la llave hexagonal (15) suministrada para apretar el perno.
4. Introduzca la tapa de la manivela de ajuste (8) para ocultar el perno.

Instalación de la salida de extracción de polvo

La salida de extracción de polvo (5) puede instalarse en ambos lados de la herramienta.

1. Utilice los 2 tornillos hexagonales de la salida de extracción de polvo (6) para montar la salida de extracción de polvo sobre el conjunto del rodillo (1) y los puntos de fijación de la salida de extracción de polvo (18) (Imagen C).
2. Conecte el tubo de aspiración a una aspiradora o dispositivo de aspiración.
3. Encienda el aspirador/sistema de extracción antes de encender la herramienta.

Comprobación de la alineación del conjunto del rodillo

- El conjunto del rodillo (1) ha sido previamente alineado y comprobado en la fábrica. Sin embargo, puede quedar desalineado durante el transporte y la manipulación.
- Cuando el conjunto del rodillo no esté nivelado con la mesa central (11), provocará que ambos lados de la pieza de trabajo tengan grosores diferentes. También puede desgastar la cuchilla uniformemente.
- Compruebe que las cuchillas estén alineadas correctamente realizando una prueba: introduzca dos piezas de trabajo a través de cada lado (izquierdo y derecho) de la herramienta.
- Mida y compare los resultados para comprobar que las cuchillas estén correctamente alineadas y para reajustarlas si es necesario.
- Para volver a alinear las cuchillas, consulte la sección de mantenimiento "Re-alinear el conjunto del rodillo".

Funcionamiento

⚠️ ADVERTENCIA: Desconecte SIEMPRE la herramienta de la toma de corriente antes de inspeccionar, limpiar o realizar cualquier tarea de mantenimiento.

ADVERTENCIA: Lleve SIEMPRE guantes de protección resistentes a los cortes cuando manipule el conjunto del rodillo (1) y sus componentes.

Indicaciones importantes para un uso seguro de esta herramienta

- Desconecte siempre la herramienta de la toma de corriente antes de cambiar o sustituir cualquier accesorio.
- Asegúrese de que el interruptor de encendido/apagado se encuentre en la posición de apagado "OFF" antes de conectar la herramienta a la toma de corriente.
- Mantenga las manos lejos de todas las partes móviles.
- Utilice protección ocular y respiratoria cuando utilice esta herramienta.
- Asegúrese de que todas las partes móviles no estén obstruidas.
- Mantenga las cuchillas afiladas, alineadas y sujetas firmemente en el cabezal de corte.
- Nunca encienda la herramienta cuando la pieza de trabajo esté en contacto con las cuchillas.
- Cuando no utilice el cepillo de banco/regruesadora, apáguelo y desconéctelo de la toma de corriente.
- Mantenga el cepillo de banco/regruesadora en buen estado. Siga las instrucciones descritas en la sección de mantenimiento (véase "Mantenimiento").
- Nunca utilice el cepillo de banco/regruesadora para realizar cortes parciales. Deje que corte toda la longitud de la pieza de trabajo.
- No utilice el cepillo de banco/regruesadora para cortar huecos, espigas o moldes.

Capacidad de la pieza de trabajo

- La pieza de trabajo de cumplir con las dimensiones máximas/mínimas especificadas a continuación:
 - I. Grosor mínimo: 3,2 mm
 - II. Longitud mínima: 381 mm
 - III. Anchura mínima: 19 mm
 - IV. Anchura máxima: 317 mm
- Nunca utilice piezas de madera secas, débiles, dañadas o con gran cantidad de nudos, podría dañar el motor de la herramienta y provocar el riesgo de contragolpe.
- No utilice piezas de trabajo que contengan objetos ocultos (grapas, clavos, etc.). Los objetos empotrados pueden causar daños importantes a la herramienta y son un riesgo para la seguridad del usuario ya que pueden salir expulsados de forma violenta y causar un contragolpe.
- No intente cepillar material mal curvado si el contacto con la mesa de entrada es inadecuado.
- Esta herramienta solo puede utilizarse con maderas naturales.
- Retire el adhesivo y los objetos ocultos de la pieza de trabajo antes de utilizar esta herramienta.

- Utilice siempre la anchura completa del cabezal de corte para evitar un desgaste irregular en las cuchillas.

Ajuste de altura del conjunto del rodillo

- El conjunto del rodillo (1) contiene el motor, el cabezal de corte con las cuchillas, y los rodillos de entrada y salida.
- Gire la manivela de ajuste (9) para subir o bajar el conjunto del rodillo. Una vuelta completa de la manivela sube o baja el conjunto del rodillo aproximadamente 1,58 mm.
- El puntero de escala (4) y la escala de altura (3) proporcionan una lectura, en graduaciones métricas e imperiales, de la altura del cabezal de corte por encima de la mesa central (11), equivalente al grosor aproximado de la pieza de trabajo después de realizar el corte.
- La escala de ajuste de altura viene calibrada por defecto. Para trabajos precisos, se recomienda comprobar las mediciones con un pie de rey o un medidor de grosor digital antes y después de cada corte.

Ajuste de la profundidad de corte

- Para proteger el motor y el cabezal de corte, la profundidad máxima recomendada de corte para una sola pasada debe ser la siguiente:

Profundidad máxima de corte	
<i>Anchura de la pieza de trabajo</i>	<i>Profundidad máxima de corte</i>
Hasta 125 mm	2,38 mm
Desde 125 mm hasta 317 mm	1,6 mm

Para establecer la profundidad del corte:

1. Mida el grosor de la pieza de trabajo y compárelo con el grosor requerido.
2. Consulte la tabla "Profundidad máxima de corte" para determinar si son necesarias una o varias pasadas.
3. Si solo necesita una pasada:
 - Utilice la manivela de ajuste para mover el conjunto del rodillo (1) arriba o abajo hasta que el puntero de escala (4) indique, en la escala de ajuste de altura (3), el grosor final de la pieza de trabajo.
4. Si necesita más de una pasada:
 - a) Se recomienda que se divida el total requerido en pasadas con la misma profundidad.
 - b) Durante los primeros cortes y los cortes intermedios, ajuste la altura del conjunto del rodillo para el espesor de la pieza actual y reste la profundidad calculada en el paso anterior (a).
 - c) Utilice un pie de rey o una galga de grosor digital para comprobar las mediciones después de cada pasada.

Encendido y apagado

- El interruptor de encendido/apagado (13) está situado en la parte frontal de herramienta.
- Para encender la herramienta, pulse el botón verde de encendido (I).
- Para apagar la herramienta, pulse el botón rojo de apagado (O).

Funcionamiento del disyuntor

- Esta herramienta dispone de un disyuntor situado junto al interruptor de encendido/apagado (13) (imagen M).
- El disyuntor cortará la alimentación eléctrica para proteger el motor en caso de exceso de tensión eléctrica.
- Antes de reiniciar el disyuntor, revise el motor, el interruptor y la conexión a la toma de corriente para comprobar que no existen cortocircuitos o algún componente averiado.
- Para reiniciar el disyuntor:
 - o Para apagar la herramienta, pulse el botón rojo de apagado (0).
 - o Pulse el botón de reinicio del disyuntor (12).

Funcionamiento de la regresadora

⚠ ADVERTENCIA: Lleve SIEMPRE protección adecuada cuando utilice esta herramienta, incluido protección ocular, protección auditiva y guantes de protección.

- Determine la profundidad deseada y el grosor de la pieza de trabajo antes de realizar el corte. Puesto que hay un límite respecto a la profundidad máxima de corte, puede que sea necesario realizar varias pasadas hasta alcanzar el grosor requerido.
 - Generalmente, los cortes finos producen un resultado más suave en la pieza de trabajo, menos riesgo de contragolpe, menos imperfecciones y desgastan menos el cabezal de corte y el motor de la herramienta.
 - Para evitar el contragolpe, nunca supere la profundidad de corte de 2,4 mm en cada pasada.
 - Cuando necesite realizar más de un corte, baje manualmente el conjunto del rodillo (1) antes de realizar cada pasada.
 - Ajuste siempre la profundidad de corte lo más baja posible cuando trabaje con maderas duras, piezas anchas y piezas con una superficie irregular.
 - Evite cortar maderas con nudos de gran tamaño, dobladas, deformadas o cóncavas.
 - Si es necesario, primero nivele un lado de la pieza de trabajo para obtener al menos una superficie plana antes de usar la herramienta.
 - Rebaje ambos lados de la pieza de trabajo, eliminando la mitad de la profundidad total en cada lado. De esta forma obtendrá dos superficies lisas con el mismo porcentaje de humedad y por lo tanto será menos probable que se deforme cuando se seque de forma natural.
 - Haga un corte de prueba en un material similar para comprobar los ajustes antes de cortar la pieza de trabajo.
 - Avance la pieza de trabajo en la dirección del grano de la madera.
 - Apoye adecuadamente las piezas de trabajo largas o anchas.
1. Ajuste la herramienta la profundidad de corte requerida (véase "Ajuste de la profundidad de corte").
 2. Colóquese en el lado de la manivela (9). Nunca se coloque en frente de la pieza de trabajo y no permita que nadie se sitúe o cerca de la cuchilla. El contragolpe y los restos de virutas saldrán despedidos hacia esa dirección.

3. Coloque la pieza sobre la mesa de entrada (10), con la superficie a cortar colocada hacia arriba.
4. Encienda la herramienta y deje que la cuchilla alcance la velocidad máxima.
5. Sujete la pieza de trabajo firmemente y muévala lentamente hacia el rodillo de entrada.

Nota: Nunca introduzca la pieza de trabajo por el lado de la mesa de salida.

6. Deje de empujar la pieza una vez que haya sido introducida en rodillo de entrada. El rodillo de entrada moverá la pieza de trabajo automáticamente a través de la herramienta.
7. No fuerce el corte. Ralentizar o forzar el movimiento de la pieza de trabajo hará que el motor se sobrecaliente.
8. Mantenga siempre las manos alejadas de la zona de corte y la cuchilla mientras que el motor esté en marcha.
9. Apoye las piezas de trabajo de gran tamaño a medida que avanzan a través de la herramienta.
10. Colóquese en la parte posterior de la herramienta y espere a que salga la pieza de trabajo. No tire de la pieza de trabajo, deje que los rodillos hagan el trabajo.
11. Si una pieza de trabajo se queda atascada dentro de la herramienta: apague y desenchufe la herramienta, suba el conjunto del rodillo y DEJE QUE LA HERRAMIENTA SE DETENGA POR COMPLETO.
12. Nunca introduzca las manos en la herramienta mientras esté en funcionamiento.
13. Utilice los rodillos de entrada y salida o soportes cuando utilice piezas de trabajo largas.
14. Para trabajos precisos, mida el grosor de la pieza con un pie de rey o un medidor de grosor digital después de cada corte realizado.

Accesorios

- Existen gran variedad de accesorios y cuchillas de repuesto para esta herramienta disponibles en su distribuidor Triton más cercano.
- Las piezas de repuesto pueden obtenerse en su distribuidor Triton más cercano o a través de www.tools paresonline.com.

Mantenimiento

⚠ ADVERTENCIA: Desconecte SIEMPRE la herramienta de la toma eléctrica antes de realizar cualquier tarea de mantenimiento o limpieza.

⚠ ADVERTENCIA: Lleve SIEMPRE guantes de protección resistentes a los cortes cuando manipule el conjunto del rodillo (1) y sus componentes.

Nota: Cualquier tipo de avería debe ser reparada e inspeccionada por un servicio técnico autorizado.

Nota: Repare siempre esta herramienta en un servicio técnico autorizado y utilice sólo partes de repuesto compatibles. Esto garantizará un funcionamiento óptimo y seguro de su herramienta eléctrica.

- Esta herramienta está fabricada con componentes de primera calidad además de utilizar sistema de protección electrónica para proteger los componentes internos y garantizar su vida útil. En condiciones normales de uso, debe garantizar una larga vida útil.

Limpieza y lubricación

- Mantenga la herramienta siempre limpia. La suciedad y el polvo pueden dañar y reducir la vida útil su herramienta. Utilice un cepillo suave o un paño seco para limpiar la herramienta. Si dispone de un compresor de aire comprimido, sople con aire seco y limpio para limpiar los orificios de ventilación.
- Después de su uso, aspire la herramienta para eliminar desechos de madera, aserrín y astillas.
- Utilice un producto de limpieza adecuado (no incluido) para eliminar la resina y los restos de grasa.
- Elimine el aserrín, madera y grasa de cadenas y engranajes.
- Los rodamientos del motor y del cabezal de corte vienen sellados de fábrica y no requieren lubricación adicional.
- Hay cuatro componentes que deben lubricarse regularmente:
 - o El mecanismo de dos tornillos de elevación del conjunto del rodillo .
 - o El pestillo del cierre del conjunto del rodillo.
 - o Los 4 carriles verticales del conjunto del rodillo.
 - o La transmisión por cadena del rodillo de entrada.
- Retire la parte superior y los dos paneles laterales para acceder a estos componentes.
- Limpie la transmisión por cadena antes de proceder a la lubricación. Utilice spray lubricante (no incluido) para lubricar la cadena. Espere un tiempo para que el lubricante penetre entre los eslabones de la cadena y a continuación limpie la superficie de la cadena.
- Elimine los restos de grasa de los otros componentes, con alcohol mineral o disolventes si es necesario, a continuación, aplique una capa ligera de grasa multiusos (no incluida).
- La mesa de trabajo y mesa de extensión pueden cubrirse con una capa muy fina de cera lubricante (no incluida) para proteger la superficie de la oxidación y para facilitar el avance de la pieza de trabajo durante el uso.

Alineación del conjunto del rodillo

- Compruebe la alineación de la cuchilla introduciendo dos piezas por cada lado (izquierdo y derecho) de la herramienta.
 - Mida y compare los resultados para comprobar que las cuchillas estén correctamente alineadas y para reajustarlas si es necesario.
 - Repita el proceso de afilado para corregir cualquier imperfección.
1. Apague la herramienta y desenchúfela de la toma de corriente.
 2. Encienda el aspirador/dispositivo de extracción de polvo antes de encender la herramienta.
 3. Retire los tornillos del soporte del husillo horizontal en el lado de la manivela (9) de la regruesadora (Imagen D).
 4. Desbloquee con cuidado los engranajes (Imagen E).
 5. Gire la manivela de ajuste para subir o bajar el conjunto del rodillo según sea necesario para reposicionarlo en el tornillo vertical.

6. Gire la manivela hacia adelante o hacia atrás según sea necesario para corregir la desalineación. Una vuelta completa de la manivela sube o baja el conjunto del rodillo aproximadamente 1,5 mm.
7. Vuelva desbloquear los engranajes, y vuelva a colocar el soporte del husillo horizontal.
8. Vuelva a colocar la herramienta en su posición correcta.
9. Realice un corte de prueba para comprobar que el conjunto del rodillo esté correctamente nivelado.
10. Repita los pasos anteriores si es necesario.

Comprobación y sustitución de las cuchillas

Inspección de las cuchillas:

1. Localice el protector de la cuchilla (17) situado en la parte posterior de la herramienta. Afloje y retire los tornillos hexagonales del protector de la cuchilla (16) (Imagen F).
2. Identifique el cabezal de corte situado en el interior y las 2 cuchillas del cabezal de corte.
3. Sin tocar las cuchillas, gire el cabezal de corte hasta que el cierre de autobloqueo haga clic y bloquee el cabezal de corte.
4. Utilice la llave hexagonal (15) para quitar los seis pernos del protector de la hoja (Imagen G).
5. Utilice dos imanes (19) para retirar el protector de la cuchilla.
6. Utilice los imanes para retirar la cuchilla.
7. Inspeccione el estado y desgaste de la cuchilla. Una hoja desafilada, desgastada, agrietada, rasgada o irregular puede afectar al corte, produciendo un acabado rugoso, astillado y cortado uniforme.

Sustitución de una cuchilla:

Nota: Sustituya siempre ambas cuchillas al mismo tiempo.

Nota: Nunca mezcle una cuchilla nueva con una cuchilla antigua en el cabezal de corte. Nunca mezcle cuchillas con distintos grados de desgaste. Nunca utilice una cuchilla desgastada uniformemente. Utilice solamente cuchillas recomendadas por el fabricante.

1. Utilice los imanes (19) para sujetar y colocar la cuchilla nueva en el cabezal de corte.
2. Coloque la cuchilla de manera que quede asentada de forma segura sobre los dos pasadores.
3. Utilice los imanes para colocar el protector sobre la cuchilla.
4. Coloque la placa de la cuchilla de tal forma que los seis agujeros estén alineados con los orificios del cabezal de corte.
5. Apriete firmemente los seis pernos.

Inspección y sustitución la segunda cuchilla:

1. Para acceder a las otras cuchillas, tire y empuje suavemente el cierre en el lado del cabezal de corte para desbloquearlo (Imagen H).
2. Suelte el cierre una vez que gire el cabezal de corte.
3. Sin tocar las cuchillas, gire el cabezal de corte hasta que el cierre haga clic para bloquear el cabezal de nuevo.
4. Repita los pasos previos para instalar y sustituir la segunda cuchilla.

Comprobación y sustitución de las escobillas

- Con el tiempo, las escobillas de carbono del motor se desgastarán.
- Si las escobillas se han desgastado excesivamente, el rendimiento del motor puede disminuir, la herramienta tal vez no arranque o quizás observe una excesiva presencia de chispas.
- La vida útil de las escobillas varía en función de las cargas del motor. Se recomienda realizar una inspección de las escobillas cada 100 horas de uso.
- Sustituya las escobillas si la sección de carbón de la escobilla es inferior a 9,5 mm, cuando los muelles están desgastados o cuando note una pérdida de potencia en el motor.
- Sustituya siempre las escobillas simultáneamente.
- Para inspeccionar y sustituir las escobillas:
 1. Desensrosque las tapas de acceso a las escobillas (14) situadas en ambos lados del motor.
 2. Retire las escobillas y compruebe que estén desgastadas.
 3. Sustituya las escobillas si es necesario y vuelva a colocar las tapas de las escobillas.

Sustitución de la correa de transmisión

- Una tensión inadecuada en la correa de transmisión hará que la correa se deslice. Una correa destensada debe ser reemplazada inmediatamente.
 1. Apague la herramienta y desenchúfela de la toma de corriente.
 2. Retire la manivela de ajuste (9) y retire los tornillos de sujeción (2) del panel lateral (Imagen I) para poder retirar el panel. Esto le permitirá acceder a la correa de transmisión.
 3. Retire la cubierta de la polea superior (Imagen K).
 4. Retire la correa desgastada sacándola hacia fuera de cada una de las poleas. Gire las poleas mientras tira con precaución la correa hacia fuera (Imagen L).

Nota: Para girar y desbloquear las poleas necesitará presionar permanentemente el cierre de color rojo.

5. Sustituya con una nueva correa desplazándola hacia las poleas de la manera opuesta a la utilizada para quitar la correa desgastada.
6. Asegúrese de que la correa queda asentada de forma uniforme sobre las ranuras de las poleas.
7. Vuelva a colocar el panel lateral y la manivela de ajuste.

Almacenaje

- Guarde esta herramienta y accesorios en un lugar seco y seguro fuera del alcance de los niños.

Contacto

Servicio técnico de reparación - Tel: (+44) 1935 382 222

Web: www.tritontools.com

Dirección (RU):

Toolstream Ltd.
Boundary Way
Lufton Trading Estate
Yeovil, Somerset
BA22 8HZ, Reino Unido.

Dirección (UE):

Toolstream B.V.
Hogeweg 39
5301 LJ Zaltbommel
Países Bajos.

Reciclaje

Deshágase siempre de las herramientas eléctricas adecuadamente respetando las normas de reciclaje indicadas en su país.

- No deseche las herramientas y aparatos eléctricos junto con la basura convencional.
- Póngase en contacto con la autoridad local encargada de la gestión de residuos para obtener más información sobre cómo reciclar este tipo de herramientas correctamente.

Solución de problemas

Problema	Causa	Solución
El motor se sobrecalienta	Motor sobrecalentado	Reduzca la carga sobre el motor Apague la herramienta hasta que el motor se enfríe
	El exceso de polvo acumulado resulta en una disminución de la circulación del aire	Elimine la acumulación de polvo
Pérdida de potencia	Interruptor diferencial apagado	Apague el suministro eléctrico y reinicie el interruptor diferencial
El disyuntor se activa regularmente	Motor sobrecalentado	Reduzca la carga sobre el motor
	Capacidad inadecuada del disyuntor	Reemplace el disyuntor
	Sobrecarga de tensión	Reduzca la carga eléctrica
	Las cuchillas no están afiladas	Afile o sustituya las cuchillas
Acabado de mala calidad	Apoyo insuficiente de la pieza de trabajo	Apoye la pieza de trabajo sobre un soporte adicional
	Las cuchillas no están afiladas	Sustituya las cuchillas
	Fuerza excesiva en el cabezal de corte	Empuje suavemente la pieza de trabajo
	El conjunto del rodillo (1) no está paralelo con la mesa	Nivele la mesa y del conjunto del rodillo
	La pieza de trabajo no está correctamente colocada con la pieza siguiente	Apoye bien cada pieza de trabajo contra la pieza precedente a medida que la introduce por la herramienta
La superficie de la pieza de trabajo no está lisa	Las cuchillas no están afiladas	Sustituya las cuchillas
	Fibra rugosa debida a un alto contenido de humedad en la madera	Utilice madera seca
	Fibra rasgada debido a las hojas que están cortando en contra de la dirección de la fibra	Cambie la dirección y introduzca la pieza de trabajo siguiendo la dirección de la fibra
	Corte es demasiado profundo	Disminuya la profundidad de corte
	El conjunto del rodillo está mal alineado con la mesa	El conjunto del rodillo no está nivelado con la base de la herramienta Ajuste la alineación del conjunto del rodillo
Dificultad en ajustar la altura del conjunto del rodillo	El cierre del conjunto del rodillo está accionado	Libere cierre del conjunto del rodillo
	Tornillos de ajuste de altura desgastados	Sustituya los tornillos de ajuste de altura
	Tornillos de ajuste de altura sucios	Limpie los tornillos de ajuste de altura
	El conjunto del rodillo está mal alineado con la mesa	Vuelva a alinear el conjunto del rodillo
	Capacidad inadecuada del disyuntor	Limpie y ajuste el conjunto del rodillo

Garantía

Para registrar su garantía, visite nuestra página Web en tritontools.com* e introduzca sus datos personales.

Recordatorio de compra

Fecha de compra: ___/___/___

Modelo: TPT125

Conserve su recibo como prueba de compra.

Las herramientas Triton disponen de un período de garantía de 3 años. Para obtener esta garantía, deberá registrar el producto online en un plazo de 30 días contados a partir de la fecha de compra. Si durante ese período apareciera algún defecto en el producto debido a la fabricación o materiales defectuosos, Triton se hará cargo de la reparación o sustitución del producto adquirido.

Esta garantía no se aplica al uso comercial por desgaste de uso normal, daños accidentales o por mal uso de esta herramienta.

* Registre el producto online en un plazo de 30 días contados a partir de la fecha de compra.

Se aplican los términos y condiciones.

Esto no afecta a sus derechos legales como consumidor.

Tradução das instruções originais

Introdução

Obrigado por comprar este produto Triton. Este manual contém as informações necessárias para a operação segura e eficiente deste produto. Este equipamento apresenta recursos exclusivos e, mesmo que você esteja familiarizado com produtos similares, é necessário ler o manual cuidadosamente para garantir que as instruções sejam totalmente compreendidas. Assegure-se de que todos os usuários do produto leiam e compreendam este manual, completamente. Mantenha este manual sempre à mão, e assegure-se de que todos os usuários da ferramenta leiam e compreendam completamente seu conteúdo..

Descrição dos símbolos

A placa de identificação do seu produto pode apresentar alguns símbolos. Estes indicam informações importantes sobre o produto, ou instruções sobre seu uso..



Use proteção auricular
Use proteção ocular
Use proteção respiratória
Use proteção de cabeça



Use proteção nas mãos



AVISO: Para reduzir o risco de lesões, o usuário deve ler o manual de instruções



Use equipamento de proteção



Construção de classe I (com proteção terra)



NÃO use sob chuva ou em ambientes úmidos!



AVISO: As peças móveis podem causar ferimentos por esmagamento ou corte.



Cuidado com os contragolpes!



Para utilização exclusivamente no interior!



Proteção ambiental

O descarte de produtos elétricos não deve ser feito no lixo doméstico. Faça a reciclagem em locais próprios para isso. Consulte as autoridades locais ou seu revendedor para saber como reciclar.



AVISO PERIGO NA ELEVÇÃO

O levantamento por uma única pessoa poderá provocar ferimentos.

Use assistência quando for mover ou erguer este equipamento.

AVISO: Este produto é pesado e, como precaução, aconselhamos que a máquina seja montada por duas pessoas.




Cumpra a legislação e os padrões de segurança aplicáveis

Abreviações técnicas

V	Volts
~	Corrente alternada
A, mA	Ampere, miliampere
n_0	Velocidade sem carga
\varnothing	Diâmetro
°	Graus
Hz	Hertz
W, kW	Watt, Quilowatt
min ⁻¹	Operações por minuto
CPM	Cortes por minuto
dB (A)	Nível sonoro, em decibéis (A ponderado)
m/s ²	Metros por segundo ao quadrado (magnitude de vibração)

Especificação

Modelo:	TPT125
Voltagem de entrada:	220-240 V~, 50/60 Hz
Potência:	1100 W
Cortes por minuto:	17.500 CPM
Velocidade sem carga:	8.750 min ⁻¹
Altura de aplainamento:	3,2 - 152 mm
Largura de aplainamento:	317 mm
Comprimento mínimo de aplainamento:	380 mm
Tamanho da mesa:	317 x 597 mm

Coleta de pó:	Dimensões internas: 48 mm Dimensões externas: 53 mm
Classe de proteção:	
Proteção de entrada:	IP20
Peso:	22,2 kg
Como parte do desenvolvimento contínuo de nossos produtos Triton, as especificações poderão ser alteradas sem aviso.	
Informações sobre ruído e vibração	
Pressão sonora L_{pA} :	90,9 dB (A)
Pressão sonora L_{WA} :	103,9 dB (A)
Incerteza K:	3 dB (A)
O nível de intensidade sonora para o operador poderá exceder 85 dB (A) e medidas de proteção auditiva são necessárias.	

⚠️ AVISO: Use sempre proteção auditiva apropriada, quando o ruído da ferramenta ultrapassar 85 dB (A), e limite o tempo de exposição ao mínimo necessário. Caso os níveis de ruído se tornem desconfortáveis, mesmo com proteção auditiva, pare imediatamente de usar a ferramenta e verifique se a proteção auditiva está ajustada da forma correta, de modo prover a atenuação sonora suficiente, para o nível de ruído produzido pela ferramenta.

⚠️ AVISO: A exposição do usuário à vibração da ferramenta pode resultar em perda de sentido do tato, dormência, formigamento e diminuição da capacidade de agarrar. A exposição por longo prazo pode levar a uma condição crônica. Caso necessário, limite o período de tempo que fica exposto à vibração e use luvas antivibração. Não use a ferramenta com as mãos expostas a uma temperatura abaixo da temperatura normal confortável, uma vez que a vibração tem mais impacto nessa condição. Use os valores fornecidos na especificação relativa a vibrações, para calcular a duração e frequência de uso da ferramenta.

⚠️ AVISO: A produção de vibração, durante o uso atual da ferramenta elétrica, pode diferir do valor total declarado, dependendo da forma como a ferramenta é usada. Existe a necessidade de identificar medidas de segurança para proteger o operador, as quais são baseadas em uma estimativa de exposição nas condições reais de uso (levando em consideração todas as partes do ciclo de operação, como os momentos em que a ferramenta é desligada, quando está funcionando sem carga e o tempo de acionamento).

O valor total declarado de vibração foi determinado de acordo com o método de teste padrão, e pode ser usado para se comparar uma ferramenta com outra. O valor total declarado de vibração também pode ser usado em uma avaliação preliminar de exposição.

Os níveis sonoros da especificação são determinados de acordo com padrões internacionais.

Os valores consideram o uso normal da ferramenta, sob condições de trabalho normais. Uma ferramenta montada, mantida ou usada incorretamente, poderá produzir níveis de ruído, e de vibração, superiores. O site: www.osha.europa.eu fornece mais informações sobre níveis de vibração e ruído no local de trabalho e pode ser útil para usuários domésticos que usam ferramentas por longos períodos de tempo.

Avisos de segurança geral

⚠️ AVISO: Quando se trabalha com ferramentas elétricas, devem ser tomadas precauções básicas de segurança para se reduzir o risco de incêndio, choques elétricos e ferimentos pessoais, incluindo as seguintes informações de segurança. Leia todas estas instruções antes de tentar operar este produto e guarde-as para uso posterior.

⚠️ AVISO: Este equipamento não se destina ao uso por pessoas (incluindo crianças) com capacidade física ou mental reduzida, ou sem experiência ou conhecimento, a menos que estejam sob a supervisão, ou recebam instruções sobre o uso do equipamento, de uma pessoa responsável por sua segurança. As crianças devem ser supervisionadas para garantir que não brinquem com o equipamento.

PRECAUÇÃO: Utilize a máquina elétrica, seus acessórios, ferramental, etc. de acordo com estas instruções, levando em conta as condições de trabalho e o serviço a ser realizado. O uso da máquina elétrica para operações diferentes das pretendidas pode resultar em uma situação perigosa.

O termo "ferramenta elétrica" nos avisos refere-se a uma ferramenta que usa alimentação da rede elétrica (com cabo elétrico), ou uma ferramenta de bateria (sem cabo elétrico).

- 1 Mantenha o local de trabalho desobstruído** - Locais e bancadas desordenados são um convite a ferimentos.
- 2 Providencie um ambiente de trabalho adequado**
 - onde as ferramentas não fiquem expostas à chuva
 - onde as ferramentas não tenham contato com água ou umidade
 - que seja bem iluminado
 - onde as ferramentas não serão utilizadas na presença de líquidos ou gases inflamáveis
- 3 Proteja-se contra os choques elétricos** - Evite contato do seu corpo com superfícies aterradas (p. ex., canos, radiadores, fogões, geladeiras).
- 4 Mantenha outras pessoas afastadas do local** - Não deixe que outras pessoas não envolvidas no trabalho, especialmente crianças, toquem na máquina ou o cabo de alimentação elétrica e mantenha-as afastadas do local de trabalho.
- 5 Guarde ferramentas que não estejam em uso** - Quando não em uso, as ferramentas devem ser guardadas num local seco e trancadas, fora do alcance de crianças.
- 6 Não aplique força excessiva na ferramenta** - Ela fará o trabalho de forma melhor e mais segura quando usada da maneira pretendida.
- 7 Use a ferramenta correta** - Não force ferramentas pequenas para fazer o trabalho de uma ferramenta maior.

Não use as ferramentas para fins não previstos; por exemplo, não use serras circulares para cortar galhos ou troncos de árvores.

8 Vista-se de forma adequada

- Não use roupas soltas ou joias, que possam ser agarradas por partes móveis da máquina.
- Recomenda-se o uso de calçados de segurança adequados, quando trabalhar ao ar livre.
- Use uma proteção adequada para prender cabelos longos.

9 Use equipamento de Proteção Individual

- Use óculos de segurança
- Use uma máscara contra poeira se o trabalho gera poeira

⚠️ AVISO: A não utilização de equipamento de proteção ou de vestuário adequado poderá provocar ferimentos ou aumentar a gravidade de um ferimento.

10 Use equipamento de extração de poeira - Se a máquina tiver um eixo para o acoplamento de equipamento de extração ou coleta de poeira, certifique-se de que este seja conectado e utilizado corretamente.

11 Não abuse do cabo de alimentação - Não arranque ou puxe o cabo de alimentação para desconectá-lo da tomada. Mantenha o cabo de alimentação longe do calor, óleo e bordas afiadas. Cabos de energia danificados ou emaranhados aumentam o risco de choque elétrico

12 Prenda firmemente a peça de trabalho - Sempre que possível, use braçadeiras ou um torno para prender a peça de trabalho. É mais seguro do que usar sua mão

13 Não se estique demais - Mantenha sempre o seu equilíbrio e sua postura firme

14 Faça a manutenção cuidadosa das ferramentas

- Manter as ferramentas de corte afiadas e limpas torna-as mais fáceis de controlar e reduz as chances de elas ficarem presas na peça de trabalho.

- Siga as instruções para a lubrificação e substituição de acessórios

- Inspeccione os cabos de alimentação da máquina periodicamente e, se danificados, providencie seu reparo por uma oficina de assistência técnica autorizada.

- Inspeccione os cabos de extensão periodicamente e substitua se estiverem danificados.

- Mantenha as alças secas, limpas e livres de óleo e graxa

⚠️ AVISO: Muitos acidentes são causados por ferramentas elétricas mal conservadas.

15 Desconecte as ferramentas - Quando não estiverem em uso e antes de efetuar a manutenção ou de trocar acessórios, como lâminas, brocas e lâminas, desconecte as ferramentas da alimentação elétrica.

⚠️ AVISO: O uso de acessórios não recomendados pelo fabricante poderá resultar em risco de ferimentos.

16 Remova as chaves e ferramentas de ajuste - Crie o hábito de verificar que as chaves ou ferramentas de ajuste tenham sido removidas da máquina antes de ligar a alimentação elétrica.

17 Evite a partida não intencional - Certifique-se de que o interruptor esteja na posição de 'O' antes de conectar a máquina a uma tomada de energia ou inserir uma bateria, ou ao pegar ou transportar a máquina.

⚠️ AVISO: A partida não intencional de uma máquina pode causar ferimentos graves.

18 Uso de cabos de extensão no aberto - Ao usar a máquina ao ar livre, utilize apenas cabos de extensão destinados ao uso ao ar livre e que tenham tal uso indicado neles. O uso de um cabo de extensão adequado para uso ao ar livre reduz o risco de choque elétrico

19 Fique atento

- Preste atenção ao que está fazendo; use o bom senso e não opere a máquina quando estiver cansado.

- Não use ferramentas elétricas quando estiver sob influência de drogas, álcool ou medicamentos.

⚠️ AVISO: Um momento de desatenção, quando se opera uma máquina elétrica, pode resultar em ferimentos pessoais graves.

20 Verifique se existem peças danificadas

- Antes de usar a máquina, esta deverá ser cuidadosamente inspecionada para se garantir que funcionará corretamente e de acordo com sua finalidade pretendida.

- Verifique o alinhamento de peças móveis, ou se há emperramento destas, se existem peças quebradas, problemas de montagem ou outras condições que possam afetar a operação da máquina.

- Uma proteção, ou outra peça que esteja danificada deverá ser consertada de forma correta, ou substituída, em uma oficina de assistência técnica autorizada, a menos que este Manual de Instruções dê outra orientação.

- Interruptores defeituosos devem ser consertados em uma oficina de assistência técnica autorizada.

⚠️ AVISO: Não use a máquina se o interruptor ON/OFF não está funcionando. O interruptor deve ser consertado antes de usar a máquina.

21 Utilize os acessórios recomendados - Consulte o manual do proprietário para informações sobre acessórios recomendados

⚠️ AVISO: O uso de qualquer acessório ou peça que não seja recomendado neste manual de instruções pode apresentar risco de lesão corporal.

22 A máquina deve ser reparada por uma pessoa qualificada - Esta máquina elétrica está em conformidade com as normas de segurança pertinentes. Os reparos só devem ser efetuados por pessoal qualificado, pois de outro modo, poderão surgir perigos consideráveis para o usuário.

⚠️ AVISO: Durante a manutenção, use apenas peças de reposição idênticas.

⚠️ AVISO: Um cabo de alimentação danificado deverá ser substituído pelo fabricante ou por uma oficina de assistência técnica autorizada.

23 O plugue da máquina deve ser compatível com a tomada da rede elétrica - Não modifique o plugue de forma alguma. Não utilize um adaptador de plugue com ferramentas elétricas aterradas. Plugues sem modificações e tomadas corretas reduzem o risco de choques elétricos.

24 Se for operar uma máquina elétrica ao ar livre, utilize um dispositivo de corrente residual (RCD) - O uso de um RCD reduz o risco de choque elétrico.

- 25 Quando utilizada nos Estados Unidos, Austrália ou Nova Zelândia, recomenda-se que esta máquina seja SEMPRE alimentada através de um Dispositivo de Corrente Residual (RCD) com uma corrente residual nominal de 30mA ou menos.
- 26 Use um cabo de extensão adequado. Certifique-se de que o cabo de extensão esteja em boas condições. Ao usar um cabo de extensão, certifique-se de que este seja adequado para a corrente exigida pelo produto. Um cabo subdimensionado causará uma queda na tensão da linha, resultando na perda de potência e sobreaquecimento. A Tabela A mostra o tamanho correto a ser usado dependendo do comprimento do cabo e dos amperes da classificação nominal na placa de identificação. Em caso de dúvida, use a próxima classificação maior. Quanto menor o número da classificação, maior o cabo
- 27 Nunca deixe a máquina funcionando desatendida. Desligue a energia. Não deixe a máquina sozinha antes de ela parar por completo

Mesmo quando utilizada como prescrito não é possível eliminar todos os fatores de risco residuais. Use com cautela. Se tiver alguma dúvida sobre como usar esta máquina corretamente, não tente usá-la.

AVISO: Antes de conectar a máquina a uma fonte de energia (conector de interruptor, tomada de parede, etc.), certifique-se de que a voltagem de alimentação seja a especificada na placa de identificação na máquina. Uma fonte de energia com tensão maior do que a especificada para a máquina pode resultar em ferimentos graves ao usuário e danos à máquina. Em caso de dúvida, não conecte a máquina. O uso de uma fonte de energia com tensão menor que a nominal especificada na placa de identificação será prejudicial para o motor.

Tabela A						
Amperagem nominal		Volts	Comprimento total do cabo em metro			
		120	7,5	15	30,5	46
		240	15	30,5	61	92
Mais do que	Não mais do que		Amperagem mín. do cabo			
0	6		18	16	16	14
6	10		18	16	14	12
10	12		16	16	14	12
12	16		14	12	Não recomendado	

Segurança de ferramentas de corte

AVISO: Antes de conectar uma ferramenta a uma fonte de energia (conector do interruptor de energia da rede, tomada de parede, etc.), certifique-se de que a voltagem de alimentação tem o mesmo valor que o especificado na etiqueta de identificação da ferramenta. Uma fonte de energia com uma voltagem acima da especificada para a ferramenta poderá resultar em ferimentos graves e danificar a ferramenta. Se estiver em dúvida, não conecte a ferramenta. Usar uma fonte de energia com voltagem abaixo da voltagem nominal, especificada na placa de identificação, poderá ser prejudicial ao motor.

Use a ferramenta de corte correta

- Assegure-se de que a ferramenta de corte é adequada ao trabalho. Não assume que uma ferramenta é adequada sem antes ler a documentação do produto.

Proteja seus olhos

- Use sempre proteção adequada para os olhos, quando estiver usando ferramentas de corte.
- Óculos comuns não são concebidos para oferecer qualquer proteção quando se usa este produto, pois suas lentes não são resistentes a impactos e podem se despedaçar.

Proteja sua audição

- Use sempre proteção auricular apropriada, quando o ruído da ferramenta ultrapassar 85 dB.

Proteja sua respiração

- Assegure-se de que você e os demais à sua volta estão utilizando máscaras contra poeira adequadas.

Proteja suas mãos

- Não deixe suas mãos se aproximarem do disco ou lâminas de corte. Quando trabalhar com peças de madeira mais curtas, use um extensor e as ferramentas elétricas adequadas.

Esteja ciente de onde estão os outros à sua volta

- É responsabilidade do usuário da máquina garantir que as pessoas que estão na vizinhança do local de trabalho não sejam expostas a ruído e poeiras perigosas e também que estejam usando equipamento de proteção adequado.

Objetos ocultos

- Inspecione a peça de trabalho e remova todos os pregos e outros objetos embutidos, antes de iniciar o corte.
- Não tente cortar materiais que contenham objetos embutidos, a menos que a ferramenta de corte instalada em sua máquina seja própria para esse tipo de trabalho.
- Podem existir fiações e tubulações escondidas atrás de paredes, painéis de carrocerias podem esconder tubulações de combustível, e gramados altos podem esconder pedras e vidros. Verifique sempre a área de trabalho antes de prosseguir.

Tome cuidado com o material arremessado pela máquina

- Em algumas situações, os resíduos são arremessados com muita velocidade pela ferramenta. É responsabilidade do usuário garantir que outras pessoas que estejam no local de trabalho estejam protegidas contra a possibilidade de serem atingidas por material arremessado.

Instalação de ferramentas de corte

- Garanta que as ferramentas de corte são instaladas de forma correta e firme e verifique se todas as ferramentas e chaves foram removidas da máquina, antes do uso.
- Use apenas as ferramentas de corte recomendadas para sua máquina.
- Não tente fazer modificações em ferramentas de corte.
- Assegure-se de que as lâminas estão afiadas, em boas condições e corretamente instaladas.
- Não tente amolar as lâminas. Lâminas endurecidas, ou lâminas feitas de ligas endurecidas, normalmente contêm tungstênio e não podem ser amoladas sem o uso de equipamento profissional.
- Use apenas lâminas especificamente concebidas para esta ferramenta.
- O afiamento das lâminas que puderem ser afiadas deve ser feito de acordo com as instruções do fabricante referentes à respectiva lâmina.

Sentido de alimentação

- Introduza sempre as peças de trabalho na área de corte contra o sentido de movimentação da lâmina ou ferramenta de corte.

Tome cuidado com o calor

- As ferramentas de corte e peças de trabalho podem ficar quentes durante o uso. Não tente trocar as ferramentas até que tenham esfriado completamente.

Controle o pó / serragem

- Não deixe que poeira ou serragem se acumulem. A serragem representa um perigo de incêndio e alguns tipos de limalhas metálicas são explosivas.
- Tome cuidado adicional quando estiver cortando madeira ou metal. As centelhas produzidas pelo corte de metais são uma causa comum de incêndios em madeiras.
- Sempre que possível, use um sistema de coleta e extração de serragem de modo a manter um ambiente de trabalho mais seguro.

Segurança da plaina desgrossadeira

⚠️ AVISO: Nunca use a máquina sem um protetor adequado posicionado ou ajustado corretamente.

⚠️ AVISO: Qualquer parte do bloco de corte não em uso durante o aplainamento deve ser protegida.

⚠️ AVISO: Ao aplainar peças de trabalho estreitas, medidas adicionais, como o uso de dispositivos de pressão horizontal, podem ser necessárias para garantir um trabalho seguro.

⚠️ AVISO: As máquinas de aplainamento não devem ser usadas para corte de entalhes, rebaixo, espigas ou moldes.

- **Use proteção respiratória adequada.** *O uso desta máquina pode produzir pó contendo substâncias químicas causadoras de câncer, defeitos congênitos ou outros danos reprodutivos. Algumas madeiras contêm conservantes como o arsênio de cromo de cobre (CCA) que pode ser tóxico. Ao lixar, perfurar ou cortar esses materiais deve ser tomado cuidado adicional para evitar a inalação e minimizar o contato com a pele.*

- **Use apenas lâminas afiadas.** *Use luvas à prova de corte e tome cuidado ao manusear as lâminas.*

⚠️ AVISO: Não use facas cegas, pois isso aumenta o perigo de rechaço.

- **Certifique-se de que a área de trabalho esteja livre de tecidos, cabos, trapos, cordas ou itens similares.** *A fim de evitar emaranhamento no mecanismo da plaina.*
- **Permita que a máquina atinja a velocidade máxima antes de fazer contato com a peça de trabalho e iniciar o corte.**
- **SEMPRE DESLIGUE e permita que as lâminas parem completamente antes de tentar fazer quaisquer ajustes, limpeza ou manutenção.**
- **Substitua todas as lâminas ao mesmo tempo, caso contrário, o desequilíbrio resultante provocará vibração e encurtará a vida útil da plaina e das lâminas.**
- **Não tente efetuar operações de corte não recomendadas pelo fabricante.** *No uso desta máquina, não são permitidos cortes interrompidos, corte de entalhes, espigas ou moldes ou o aplainamento de madeira severamente deformada.*
- **Não utilize a plaina desgrossadeira se ela não estiver firmemente fixada numa superfície de trabalho segura.** *Sem fixação adequada, a plaina desgrossadeira poderá se mover abruptamente durante a operação, causando ferimentos graves ao operador.*
- **Mantenha sempre a vara de empurrar ao lado da mesa de alimentação durante as operações de aplainamento.** *Deve usar a vara de empurrar ao aplainar peças de trabalho curtas. Use a vara de empurrar para inserir a peça de trabalho quando estiver perto da lâmina e quando a peça de trabalho tiver menos de 75 mm de espessura.*
- **Não tente aplainar material muito deformado se não houver contato adequado com a mesa de alimentação.**
- **Não efetue operações de aplainamento de material cujo comprimento é menor que o da cabeça de corte mais 50mm mais estreito que 19mm, ou mais largo que a capacidade do cortador em polegadas ou mais fino que 13mm.**
- **Mantenha os relacionamentos corretos entre as superfícies das mesas de alimentação e saída e o trajeto da cabeça de corte.**
- **Apoie a peça de trabalho adequadamente durante toda a operação; mantenha controle do trabalho em todos os momentos.**
- **Não recue o trabalho em direção à mesa de alimentação.**
- **Não tente fazer uma operação anormal ou pouco utilizada sem estudá-lo antes, ou sem o uso de blocos de retenção/empurro acessórios de fixação, batentes, etc. adequados.**

Ao transportar a máquina, certifique-se de usar as alças de transporte (não as alças de operação) e que todos os mecanismos de travamento e proteção estejam firmemente posicionados.

Prevenção de rechaço

Nota: Rechaço ocorre quando a lâmina para rapidamente devido a empicilho, travamento, ou desalinhamento e empurra a peça de trabalho de volta para o operador. Isso também pode puxar a mão do operador para dentro da lâmina com ferimentos graves.

⚠️ AVISO: Rechaço resulta-se do mal uso da máquina e/ou de procedimentos ou condições operacionais incorretos, mas, com a tomada de precauções, as forças do rechaço podem ser controladas pelo operador ou evitadas completamente:

- a) **NUNCA tente cortar com uma lâmina cega ou deformada.**
Certifique-se SEMPRE de que a lâmina seja apropriada para o material a ser cortado.
- b) **Certifique-se SEMPRE de que a barreira/mesa fique paralela à lâmina.** *Se a barreira/mesa inclinar-se para dentro em direção à lâmina, a peça de trabalho poderá entrar em contato com a borda traseira da lâmina.*
- c) **Tome cuidado ao cortar peças de trabalho grandes.**
Certifique-se de que materiais maiores sejam corretamente apoiados por suportes adequados na alimentação e saída.
- d) **NÃO corte material redondo ou peças de trabalho que não possam ficar planas sobre a mesa.** *Evite cortar madeira torcida, deformada ou com nós.*
- e) **NÃO corte madeira molhada, pois isto causa maior atrito com a lâmina.** *A serragem molhada poderá se acumular na lâmina, aumentando ainda mais a probabilidade de rechaço.*
- f) **SEMPRE segure a peça de trabalho firmemente com as duas mãos e posicione seus braços para resistir às forças de rechaço.**
- g) **Use fora do trajeto da lâmina e posicione seu corpo a um lado ou noutro da lâmina, mas não em linha com a lâmina.**
- h) **NÃO repuxe uma peça que está sendo cortada.** *Se tiver que interromper um corte, desligue a máquina e remova a peça de trabalho da máquina quando a lâmina parar de girar.*
- i) **USE SEMPRE varas de empurro quando apropriado, para guiar a peça de trabalho pela lâmina.** *Use tábuas leves para segurar a peça de trabalho sempre que possível.*

Familiarização com o produto

- 1. Caixa de rolos
- 2. Parafusos de retenção do painel lateral
- 3. Escala de elevação
- 4. Ponteiro da escala
- 5. Coletor de serragem
- 6. Parafusos sextavados do coletor de serragem
- 7. Parafuso de retenção da manivela
- 8. Tampa de fixação da manivela
- 9. Manivela
- 10. Mesa de alimentação
- 11. Mesa central
- 12. Botão de rearme do disjuntor
- 13. Interruptor de ON/OFF (LIGAR/DESLIGAR)
- 14. Tampa de acesso à escova
- 15. Chave Allen
- 16. Parafusos sextavados do painel de cobertura das lâminas
- 17. Painel de cobertura das lâminas
- 18. Posições de fixação do coletor de serragem
- 19. Ímãs

Uso pretendido

Plaina desengrossadeira de alimentação da rede elétrica, montada em bancada, para tarefas pesadas de aplainamento de tábuas de madeira de lei e madeira macia com comprimento de mais de 380mm. Capaz de beneficiar material irregular, produzir madeira quadrada para fazer juntas e de aplainar para produzir tábuas planas uniformes para diversos projetos.

Desembalagem da sua ferramenta

- Desembale e inspecione sua ferramenta, cuidadosamente. Familiarize-se com todos os seus recursos e funções.
- Certifique-se de que todas as peças da ferramenta estão presentes e em bom estado. Caso estejam faltando peças ou existam peças danificadas, substitua-as primeiro, antes de tentar usar a ferramenta.

Antes do uso

⚠️ AVISO: Desconecte SEMPRE a máquina da alimentação elétrica antes de realizar qualquer ajuste, inspeção, manutenção ou limpeza.

⚠️ AVISO: Use SEMPRE luvas adequadas, à prova de cortes, ao manusear a caixa de rolos (1) e seus subcomponentes

Montagem em bancada

- Coloque a unidade em uma superfície firme e plana, com a mesa horizontal para a unidade não se desequilibrar e cair.
- Se a plaina desengrossadeira será usada num local permanente, recomenda-se que ela seja fixada numa superfície de trabalho rígida, da seguinte forma:
 1. Use os furos na base da plaina desengrossadeira (Figura A) como gabarito para marcar e fazer quatro furos na superfície onde pretende instalar a máquina (por ex., bancada). Fixe a unidade no local usando parafusos, arruelas e porcas grandes (não fornecidos).
 2. Caso deseje que a plaina desengrossadeira seja mais portátil, prenda uma placa na base que possa ser presa e solta com facilidade usando braçadeiras em diversos locais de instalação
 3. Certifique-se de usar parafusos de comprimento adequado para passar pela bancada ou placa para uma fixação segura.

Instalação da manivela

Instale a manivela (9) no seu lugar (veja a Figura principal) no lado direito da plaina desengrossadeira:

1. Coloque a arruela-mola no parafuso de retenção da manivela (7)
2. Coloque a manivela no parafuso de elevação (Figura B)
3. Use o parafuso de retenção da manivela para fixar a manivela no seu lugar. Use a chave Allen (15) para apertar o parafuso
4. Insira a tampa de fixação da manivela (8) para cobrir o parafuso

Instalação do coletor de poeira

O coletor de poeira (5) pode ser instalado em um lado ou noutro para a extração de resíduos da plaina desengrossadeira.

1. Use os dois parafusos sextavados (6) para instalar o coletor de poeira na caixa de rolos (1) usando os pontos de fixação do coletor (18) (Figura C)
2. Com o coletor de poeira instalado, conecte a mangueira do sistema de extração.

3. Ligue o sistema de extração antes de operar a plaina desengrossadeira.

Verificação do nivelamento da caixa de rolos

- A caixa de rolos (1) é alinhada e inspecionada na fábrica. No entanto, poderá ficar desalinhado durante o transporte e movimentação.
- Se a caixa de rolos não estiver nivelada com a mesa central (11), isto resultará em um corte afilado onde a espessura de um lado da peça de trabalho é diferente da outra. Isso também pode causar o desgaste desigual das lâminas
- Verifique se as lâminas estão alinhadas corretamente por meio de uma operação de teste: passe duas peças, uma de cada lado (esquerdo e direito) da plaina.
- Meça e compare os resultados para se certificar de que as lâminas estejam corretamente alinhadas, e/ou para determinar o grau de correção necessário.
- Se as lâminas precisarem de realinhamento, consulte 'Manutenção - Realinhamento da caixa de rolos' para obter orientação.

Operação

⚠ AVISO: Desconecte SEMPRE a máquina da alimentação elétrica antes de realizar qualquer ajuste, inspeção, manutenção ou limpeza.

⚠ AVISO: Use SEMPRE luvas adequadas, à prova de cortes, ao manusear a caixa de rolos (1) e seus subcomponentes.

Orientações importantes para o uso seguro desta máquina

- Desconecte a máquina da fonte de alimentação sempre que for ajustar ou substituir qualquer peça
- Certifique-se de que o interruptor ON/OFF esteja na posição 'OFF' (DESLIGADO) antes de conectar a máquina à alimentação da rede elétrica.
- Mantenha os membros longe de todas as partes móveis da máquina
- Use proteção ocular e uma máscara no rosto ao usar esta máquina
- Certifique-se de que todas as peças móveis se movimentam livremente e estejam livres de interferências
- Mantenha as lâminas afiadas, alinhadas e corretamente fixadas na cabeça de corte.
- Nunca ligue a máquina com a peça de trabalho já em contato com as lâminas
- Sempre que a plaina desengrossadeira não estiver em uso, desligue-a e desconecte-a da tomada elétrica.
- Mantenha a plaina desengrossadeira em bom estado. Siga as instruções de manutenção (veja 'Manutenção')
- Nunca use a plaina desengrossadeira para efetuar cortes parciais. Deixe a plaina cortar todo o comprimento da peça de trabalho.
- Não use a plaina desengrossadeira para corte de entalhes, espigas ou moldes.

Dimensões das peças de trabalho

- As peças de trabalho devem ter as seguintes dimensões mínimas e máximas:
 - I. Espessura mín.: 3,2mm
 - II. Comprimento mín.: 380mm
 - III. Largura mín.: 19mm
 - IV. Largura máx.: 317mm
- Não use madeira fraca, seca ou danificada, ou com muitos nós, que possa quebrar ao passar pelo mecanismo de aplainamento, danificando o mecanismo e o motor e causando rechaço
- Certifique-se de que a madeira a ser trabalhada esteja livre de objetos embutidos como parafusos, pregos e grampos. Objetos embutidos podem danificar seriamente a máquina e poderão ser um risco de segurança se forem ejetados, bem como uma causa de rechaço.
- Não aplane madeiras curvas/deformadas que não fazem contato adequado com a mesa de alimentação.
- Esta plaina desengrossadeira foi projetada para trabalhar apenas com madeira natural.
- Remova a cola e objetos estranhos da peça de trabalho antes de aplainá-la
- Use toda a largura da cabeça de corte para evitar o desgaste irregular das lâminas

Ajuste de altura da caixa de rolos

- A caixa de rolos (1) contém o motor, a cabeça de corte com as lâminas, e os rolos de alimentação e de saída
- Gire a manivela (9) para levantar ou abaixar a caixa de rolos. Uma volta completa da manivela levanta ou abaixa a caixa de rolos em 1,58mm
- O Ponteiro de Escala (4) e a Escala de Elevação (3) fornecem uma leitura, em graduações métricas e imperiais, da altura da cabeça de corte acima da Mesa Central (11) - e, portanto, da espessura aproximada da peça de trabalho após o aplainamento
- A escala de elevação é calibrada na fábrica. Para marcenaria de precisão, recomenda-se verificar a dimensão com um paquímetro ou um medidor de espessura digital antes e depois de cada passe de corte

Ajuste da profundidade de corte

- Para proteger o motor e a cabeça de corte, a profundidade máxima de corte recomendada para um único passe é a seguinte:

Profundidade máx de corte	
Largura da peça de trabalho	Profundidade máx de corte
Até 125mm	2,38mm
De 125mm até 317mm	1,6mm

Para ajustar a profundidade de corte:

1. Meça a espessura atual da peça de trabalho e compare com a espessura necessária
2. Consulte a tabela 'Profundidade máxima de corte' acima para determinar se um ou mais passes são necessários
3. Se for necessário apenas um passe:
 - Use a manivela para mover a caixa de rolos (1) para cima ou para baixo até que o Ponteiro de Escala (4) indique, na Escala de Elevação (3), a espessura final desejada da peça de trabalho
4. Se for necessário fazer mais de um passe:
 - a) Recomenda-se que se divida o total necessário em passes de profundidade aproximadamente igual
 - b) Para o primeiro passe, e os passes intermediários, ajuste a altura da caixa de rolos para um valor igual à espessura atual da peça de trabalho menos a profundidade calculada no passo (a) acima.
 - c) Verifique a espessura depois de cada passe usando um paquímetro ou com um medidor de espessura digital.

Ligar e Desligar

- O interruptor ON/OFF (Ligar/Desligar) (13) está localizado na parte dianteira da plaina.
- Para ligar a plaina, pressione o botão verde ON (I)
- Para desligar a plaina, pressione o botão vermelho OFF (O)

Disjuntor

- Existe um disjuntor instalado no lado esquerdo do interruptor 'ON/OFF' (13) (Figura M)
- Caso seja detectado um excesso de corrente, o disjuntor desligará a alimentação elétrica para proteger o motor.
- Antes de rearmar o disjuntor, inspecione o motor, o interruptor e a fiação de alimentação elétrica para verificar que não há curto-circuito ou componente defeituoso.
- Para rearmar o disjuntor:
 - o Pressione o botão vermelho (O) para desligar a máquina
 - o Pressione o botão de rearme do disjuntor (12)

Operação da plaina

⚠ AVISO: Use sempre equipamento de proteção adequado, incluindo proteção ocular, respiratória e auditiva ao trabalhar com esta máquina.

- Para obter os melhores resultados, determine a profundidade de corte e a espessura final desejadas para a peça de trabalho antes de aplainar. Visto que existe um limite máximo para a profundidade de corte por passe, poderão ser necessários vários passes para se atingir a espessura final.
- Geralmente, cortes finos produzem uma superfície acabada mais lisa com espessura mais uniforme e menos vacilação e rechaço, bem como menor desgaste da cabeça de corte e do motor.
- Para evitar a ocorrência de rechaço, não faça cortes mais profundos do que 2,4 mm em um passe
- Caso seja necessário fazer mais de um passe, a caixa de rolos (1) deve ser abaixada manualmente antes de cada passe.
- Use sempre cortes de pouca profundidade para madeiras de lei, peças de trabalho largas e peças com superfícies irregulares.
- Evite madeiras que possuem muitos nós ou nós grandes, ou torção excessiva, cavidades ou curvatura.

- Se necessário, processe primeiro um dos lados com uma fresadora ou plaina de superfícies para ter pelo menos uma superfície plana antes de usar a plaina desengrossadeira.
 - Aplane ambos os lados da peça de trabalho, removendo metade da profundidade final de cada lado. Isto produzirá duas superfícies lisas com igual teor de umidade e, portanto, uma tábua menos provável de empenar ao secar naturalmente.
 - Faça um teste de aplainamento com material similar para verificar a precisão dos ajustes, antes de aplainar a peça de trabalho.
 - Sempre que possível, alimente a peça de trabalho em sentido da textura das fibras da madeira.
 - Providencie suporte adequado para peças de trabalho compridas ou largas.
1. Prepare a plaina desengrossadeira de acordo com a profundidade de corte desejada (Veja 'Ajuste da profundidade de corte' acima).
 2. Posicione-se no lado onde a manivela (9) está instalada. Nunca fique diretamente na frente da peça de trabalho, e não permita que ninguém fique ou atravesse na linha do plano de rotação das lâminas. Detritos expelidos ou de rechaço serão lançados nesta direção
 3. Coloque a peça de trabalho na mesa de alimentação (10), com a superfície a ser aplainada virada para cima.
 4. Ligue a máquina e permita que a cabeça de corte atinja a velocidade máxima
 5. Segure firmemente a peça de trabalho e insira-a lentamente na direção do rolo de alimentação.

NOTA: Nunca alimente uma peça de trabalho na plaina desengrossadeira pela mesa de saída.

6. Pare de empurrar a peça de trabalho quando ela entrosar-se com o rolo de alimentação. O rolo de alimentação transportará a peça de trabalho automaticamente pela plaina desengrossadeira.
7. Não force o corte. A retardação ou impedimento do movimento da peça resultará no sobreaquecimento do motor.
8. Mantenha sempre suas mãos bem longe das lâminas e das áreas de ejeção de cavacos durante a operação do motor.
9. Apoie o peso de peças de trabalho grandes ao passarem pela plaina a fim de estabilizá-las e reduzir vacilação.
10. Siga para a parte traseira da máquina para receber a peça de trabalho. Não puxe a peça de trabalho; deixe que os rolos façam o trabalho de movê-la.
11. Se uma peça de trabalho ficar presa dentro da máquina, desligue a plaina, tire o plugue da tomada, levante a caixa de rolos, afastando-a da peça de trabalho, e AGUARDE A MÁQUINA PARAR POR COMPLETO.
12. Nunca meta as mãos na máquina enquanto ela está funcionando ou desacelerando.
13. Use os rolos de alimentação e saída, ou suportes, ao trabalhar com peças de trabalho compridas.
14. Para marcenaria de precisão, meça a espessura da peça de trabalho com um paquímetro ou com um medidor digital após cada passe

Acessórios

- Seu revendedor Triton pode fornecer vários acessórios, incluindo lâminas para a plaina desengrossadeira
- Peças de reposição podem ser obtidas do seu revendedor Triton, ou on-line pelo site www.toolsparsonline.com

Manutenção

⚠️ AVISO: Desconecte SEMPRE a máquina da alimentação elétrica, antes de realizar qualquer manutenção ou limpeza.

⚠️ AVISO: Use SEMPRE luvas adequadas, à prova de cortes, ao manusear a caixa de rolos (1) e seus subcomponentes

Nota: Qualquer dano a esta máquina deverá ser reparado por técnicos qualificados e a máquina inspecionada antes de ser usada novamente.

Nota: Esta máquina deve ser reparada por um técnico de conserto qualificado que use apenas peças de reposição idênticas. Isto garantirá que segurança da máquina.

- Esta máquina é fabricada com componentes de primeira linha e utiliza os circuitos inteligentes mais recentes para a proteção da máquina e seus componentes. No uso normal, a máquina terá uma longa vida útil

Limpeza e lubrificação

- Mantenha sua ferramenta limpa o tempo todo. A sujeira e o pó produzem desgaste acelerado das peças internas e encurtam a vida útil da ferramenta. Limpe o corpo de sua ferramenta com uma escova macia e pano seco. Se houver ar comprimido disponível, use-o para soprar a sujeira nas fendas de ventilação.
- Após o uso, use um aspirador para remover cavacos, serragem e detritos.
- Use uma solução de limpeza (não incluída) para remover resíduos de resina e graxa.
- Limpe as correntes e engrenagens, removendo serragem, lascas de madeira e graxa destas.
- Os rolamentos do motor e da cabeça de corte são selados na fábrica e não exigem lubrificação adicional.
- Quatro componentes requerem lubrificação regular:
 - o O mecanismo do parafuso vertical da caixa de rolos (x2)
 - o O came da trava da caixa de rolos.
 - o Os trilhos verticais da caixa de rolos (x4)
 - o O acionador da corrente dos rolos de alimentação
- Tire os painéis laterais e de cima para acessar esses componentes.
- Limpe o acionador da corrente antes de lubrificá-lo. Use óleo aerossol (não incluído) para lubrificar a corrente. Dê tempo para o lubrificante penetrar entre os elos da corrente e, em seguida, seque a superfície da corrente com um pano.
- Limpe quaisquer resíduos de graxa dos demais componentes, usando um solvente mineral se necessário, e aplique uma camada de graxa multiuso de baixo grau (não incluída)
- A mesa de trabalho e a mesa de extensão podem ser revestidas com uma camada fina de cera lubrificante (não incluída) para proteger as superfícies contra ferrugem e facilitar a alimentação suave das peças de trabalho durante a operação.

Realinhamento da caixa de rolos

- Verifique o alinhamento das lâminas passando duas peças, uma em cada lado (esquerdo e direito) da plaina.
- Meça e compare os resultados para verificar se as lâminas estão alinhadas corretamente e/ou para determinar o grau de correção necessário.
- Para corrigir qualquer desalinhamento:
 1. Desligue a plaina desengrossadeira e tire o plugue da tomada de alimentação elétrica.
 2. Com cuidado, coloque a plaina desengrossadeira em suas costas
 3. Remova os parafusos do suporte horizontal de retenção do fuso no lado da plaina em que está instalada a manivela (9) (Figura D).
 4. Desengate as engrenagens cuidadosamente (Figura E).
 5. Gire lentamente a manivela para levantar ou abaixar a caixa de rolos conforme necessário para posicioná-la no parafuso vertical.
 6. Gire a manivela para a frente, ou para trás, conforme necessário, para corrigir o desalinhamento. Cada volta completa da manivela fará um ajuste de 1,5 mm
 7. Engate novamente as engrenagens e reinstale o suporte horizontal de retenção do fuso.
 8. Com cuidado, coloque a plaina desengrossadeira de volta na sua posição vertical.
 9. Faça um teste para verificar se a caixa de rolos está nivelada.
 10. Repita o processo de correção se ajustes adicionais forem necessários

Inspeção e substituição de lâminas

Inspeção das lâminas:

1. Localize o painel que cobre as lâminas (17) na parte traseira da plaina. Solte e remova os parafusos do painel de cobertura das lâminas (16), em ambos os lados, e retire o painel (Figura F).
2. Identifique a cabeça de corte e as DUAS lâminas afiadas na cabeça de corte.
3. Sem tocar nas lâminas, gire cuidadosamente a cabeça de corte até que a trava de engate automático trave a cabeça.
4. Use a chave Allen (15) para remover os seis parafusos do painel de cobertura das lâmina (figura G).
5. Usando os dois ímãs (19), remova cuidadosamente o painel de cobertura das lâminas.
6. Em seguida, use os ímãs para remover a lâmina
7. Inspeção a lâminas, observando se há indícios de desgaste ou dano. Uma lâmina cega, gasta, entalhada, cortada ou irregular poderá resultar em baixo desempenho, como a textura rugosa das fibras, textura lascada ou levantada, bordas levantadas ou corte desigual.

Substituição de uma lâmina

Nota: Substitua as lâminas apenas aos pares.

Nota: Nunca coloque uma lâmina nova com uma velha na cabeça de corte. Nunca misture lâminas com diferentes graus de desgaste. Nunca use uma lâmina desgastada de forma desigual de um lado para o outro e nunca use lâminas diferentes das especificadas pelo fabricante.

1. Use os Ímãs (19) para pegar e colocar a nova lâmina na cabeça de corte
2. Posicione a lâmina de modo que ela assente firmemente sobre os dois pinos
3. Use os ímãs para reinstalar a tampa de cobertura sobre as lâminas
4. Reinstale a tampa de modo que os seis furos de fixação fiquem alinhados com os furos da cabeça de corte.
5. Aperte firmemente os seis parafusos

Inspeção e substituição da segunda lâmina:

1. Para acessar a outra lâmina, puxe suavemente e segure a trava no lado da cabeça de corte para soltá-la (Figura H)
2. Quando a cabeça de corte girar, solte a trava
3. Sem tocar nas lâminas, gire cuidadosamente a cabeça de corte até que a trava de engate automático trave a cabeça novamente
4. Repita o procedimento de troca de lâmina para inspecionar e substituir a segunda lâmina

Inspeção e substituição de escovas

- Com o tempo, as escovas de carbono dentro do motor poderão ficar gastas
- As escovas com desgaste excessivo podem causar perda de força, falhas intermitentes ou faíscas visíveis
- A vida útil das escovas varia de acordo com as cargas impostas sobre o motor. Recomenda-se a inspeção das escovas após cada 100 horas de uso
- Substitua as escovas se o comprimento do carbono foi desgastado para menos de 9,5 mm, ou se as molas estiverem gastas, ou se houve uma perda de desempenho no motor
- Substitua apenas por peças novas, e substitua sempre ambas as escovas
- Para inspecionar e substituir as escovas:
 1. Desaparafuse as tampas de acesso às escovas (14) em ambos os lados do motor
 2. Tire as escovas e verifique se há desgaste
 3. Insira novas escovas, se necessário, e reinstale as tampas das escovas

Substituição da correia de acionamento

- Tensão inadequada na correia fará com que ela deslize. Uma correia frouxa deve ser substituída
- 1. Desligue a plaina e remova o plugue da tomada de alimentação
- 2. Remova a manivela (9), solte e remova os parafusos de retenção do painel lateral (2) (Figura I), podendo, assim, colocá-lo de lado. Isso permitirá o acesso ao acionador da correia (Figura J)
- 3. Remova a tampa da polia superior (Figura K)
- 4. Tire a correia velha, retirando-a alternadamente de cada uma das polias. Puxe levemente a correia para fora, girando as polias ao mesmo tempo (Figura L)

Nota: Para girar as polias da correia de acionamento, será necessário segurar a trava vermelha de engate automático de modo que as polias não fiquem travadas.

5. Instale a correia nova nas polias usando um procedimento inverso ao usado para retirar a correia gasta.
6. Certifique-se de que a correia esteja assentada uniformemente nas ranhuras das polias.
7. Reinstale e fixe o painel lateral e a manivela

Armazenamento

- Guarde esta máquina e seus acessórios na sua caixa, em um local seco e seguro, fora do alcance de crianças.

Contato

Para obter orientações técnicas ou sobre reparos, ligue para o número da Assistência ao Cliente: (+44) 1935 382 222

Web: www.tritontools.com

Endereço (RU):

Toolstream Ltd.
Boundary Way
Lufton Trading Estate
Yeovil, Somerset
BA22 8HZ, Reino Unido

Endereço (UE):

Toolstream B.V.
Hogeweg 39
5301 LJ Zaltbommel
Países Baixos

Descarte

Cumpra sempre as leis nacionais ao descartar ferramentas elétricas que não funcionam mais e cujo reparo não é mais viável.

- Não descarte ferramentas elétricas, ou outros equipamentos elétricos e eletrônicos (WEEE) no lixo doméstico.
- Contate a autoridade local de eliminação de resíduos para saber o modo correto de descartar ferramentas elétricas.

Resolução de problemas

Problema	Possível causa	Solução
Superaquecimento do motor	Sobrecarga do motor	Reduza a carga no motor. Desligue a máquina até o motor esfriar
	Acúmulo excessivo de poeira resultando na diminuição da circulação	Remova o acúmulo de poeira
Perda de energia	Disjuntor desarmou	Desligue a energia elétrica da tomada e pressione a chave de rearme do disjuntor
Desarme frequente do disjuntor	Sobrecarga do motor	Reduza a carga no motor
	Capacidade inadequada do disjuntor	Substitua pelo disjuntor correto
	Sobrecarga do circuito	Reduza a carga do circuito
	Lâminas cegas	Amole ou substitua as lâminas
Vacilação	Apoio inadequado da peça de trabalho	Apoie as peças de trabalho longas com plataforma adicional
	Lâminas cegas	Substitua as lâminas
	Força desigual na cabeça de corte	Empurre a peça de trabalho suavemente durante a operação
	A caixa de rolos (1) não está paralela com a mesa	Ajuste corretamente o nível da mesa e da caixa de rolos
	A peça de trabalho não está encostada corretamente	Encoste a ponta de cada peça de trabalho à ponta da outra ao passarem pela plaina
Superfície aplainada não está lisa	Lâminas cegas	Substitua as lâminas
	Textura rugosa das fibras devido ao alto teor de umidade na madeira	Use madeira seca
	Fibras rasgadas devido a corte pelas lâminas em sentido contrário à textura das fibras	Mude a direção e insira a peça de trabalho no sentido das fibras
	O corte é profundo demais	Diminua a profundidade do corte
	Espessura desigual de um lado para o outro	A caixa de rolos não está nivelada com base da plaina. Ajuste o alinhamento da caixa de rolos
Dificuldades para ajustar a altura da caixa de rolos	A trava da caixa de rolos está engatada	Solte a trava da caixa de rolos
	Parafusos de elevação desgastados	Substitua os parafusos de elevação
	Parafusos de elevação sujos	Limpe e lubrifique os parafusos de elevação
	A caixa de rolos não está paralela com a mesa	Realinhe a caixa de rolos
	Capacidade inadequada do disjuntor	Limpe e ajuste a caixa de rolos

Garantia

Para registrar sua garantia, visite nosso site em tritontools.com* e cadastre suas informações.

Registro de compra

Data de compra: ___/___/___

Modelo: TPT125

Retenha sua nota fiscal como comprovante de compra.

A Triton Precision Power Tools garante ao comprador deste produto que se qualquer peça estiver comprovadamente defeituosa devido a falhas de material ou mão de obra durante os próximos 3 anos a partir da data da compra original, Triton irá reparar ou, a seu critério, substituir a peça defeituosa sem custo.

Esta garantia não se aplica ao uso comercial nem se estende ao desgaste normal ou a danos decorrentes de acidente, abuso ou uso indevido.

* Registre-se online dentro de 30 dias após a compra.

Termos e condições aplicáveis.

Isto não afeta seus direitos legais.

Tłumaczenie oryginalnej instrukcji

Wprowadzenie

Dziękujemy za zakup narzędzia marki Triton. Zapoznaj się z niniejszymi instrukcjami: zawierają one informacje niezbędne dla bezpiecznej i wydajnej obsługi produktu. Produkt posiada szereg unikalnych funkcji, dlatego też, nawet jeśli jesteś zaznajomiony z podobnymi produktami, przeczytanie tego podręcznika jest niezbędne w celu pełnego zrozumienia instrukcji obsługi. Przechowuj niniejsze instrukcje w zasięgu ręki i upewnij się, że użytkownicy narzędzia przeczytali i w pełni zrozumieli wszystkie zalecenia.

Opis symboli

Tabela zamionowa zawiera symbole dotyczące narzędzia. Stanowią one istotne informacje o produkcie lub instrukcje dotyczące jego stosowania.



Należy nosić środki ochrony słuchu

Należy nosić okulary ochronne

Należy nosić środki ochrony dróg oddechowych

Należy nosić okulary ochronne



Należy używać rękawic ochronnych



OSTRZEŻENIE: Aby zmniejszyć ryzyko obrażeń, użytkownik musi przeczytać i w pełni zrozumieć instrukcję obsługi.



Należy nosić odzież ochronną



Konstrukcja klasy I (uziemienie ochronne)



NIE UŻYWAĆ na deszczu ani w wilgotnym otoczeniu!



OSTRZEŻENIE: Ruchome części mogą spowodować obrażenia ciała w postaci zwichnięć i ran ciętych



Bądź świadomy odrzutu!



Do użytku wyłącznie w pomieszczeniach!



Ochrona środowiska

Nie należy wyrzucać zużytych produktów elektrycznych wraz z odpadami komunalnymi. Jeśli jest to możliwe, należy przekazać produkt do punktu recyklingu. W celu uzyskania wskazówek dotyczących recyklingu należy skontaktować się z władzami lokalnymi lub sprzedawcą.



OSTRZEŻENIE

DOTYCZĄCE PODNOSZENIA CIĘŻKICH PRZEDMIOTÓW

dźwiganie i przenoszenie ciężkich przedmiotów przez jedną osobę może spowodować obrażenia.

Należy korzystać z pomocy drugiej osoby podczas przenoszenia lub podnoszenia.

OSTRZEŻENIE: Ten produkt jest ciężki i jako środek ostrożności zaleca się, aby dwie osoby składały urządzenie.




Zgodne z odpowiednimi przepisami i normami bezpieczeństwa

Kluczowe skróty techniczne

V	Wolt
~	Prąd przemienny
A, mA	Amper, milli-Amp
n ₀	Prędkość bez obciążenia
∅	Średnica
°	Stopnie
Hz	Herc
W, kW	Wat, kilowat
min ⁻¹	Obroty lub ruch postępowo zwrotny na minutę
cpm	Cięć na minutę
dB(A)	Poziomy hałasu w decybelach (A mierzony)
m/s ²	Metry na sekundę do kwadratu (wartość drgań)

Dane techniczne

Numer modelu:	TPT125
Napięcie wejściowe:	220-240 V~, 50/60 Hz
Moc:	1100 W
Ilość cięć na minutę:	17.500 cpm
Prędkość bez obciążenia:	8750 min ⁻¹
Wysokość strugania:	3,2 - 152 mm
Szerokość strugania:	317 mm
Minimalna długość strugania:	380 mm
Rozmiar blatu:	317 x 597 mm

Port odsysania pyłu:	Wew. średnica: 48 mm Średnica zew.: 53 mm
Klasa ochrony:	
Stopień ochrony:	IP20
Waga:	22,2 kg
W wyniku nieprzerwanego procesu rozwojowego produktów specyfikacje produktów Triton mogą ulec zmianie bez uprzedniego powiadomienia.	
Parametry emisji dźwięku i wibracji:	
Poziom ciśnienia akustycznego L_{pA} :	90,9 dB(A)
Poziom mocy akustycznej L_{WA} :	103,9 dB(A)
Niepewność pomiaru K:	3 dB(A)
Poziom natężenia dźwięku dla operatora może przekroczyć 85 dB(A) dlatego konieczne jest zastosowanie środków ochrony słuchu.	

⚠ OSTRZEŻENIE: Jeżeli poziom hałasu przekracza 85dB(A) należy zawsze stosować środki ochrony słuchu oraz ograniczyć czas narażenia słuchu na nadmierny hałas. Jeśli poziom hałasu powoduje dyskomfort, nawet w przypadku zastosowania środków ochrony słuchu, należy niezwłocznie przestać korzystać z narzędzia i sprawdzić, czy środki ochrony słuchu są prawidłowo zamontowane i zapewniają odpowiedni poziom tłumienia dźwięku w odniesieniu do poziomu hałasu wytwarzanego przez narzędzie.

⚠ OSTRZEŻENIE: Narażenie użytkownika na wibracje narzędzia może spowodować utratę zmysłu dotyku, drętwienie, mrowienie i zmniejszenie zdolności uchwytu. Długotrwałe narażenie może prowadzić do stanu przewlekłego. Jeśli jest to konieczne, ogranicz czas narażenia na wibracje i stosuj rękawice antywibracyjne. Nie korzystaj z urządzenia w trybie ręcznym w temperaturze niższej niż normalna komfortowa temperatura otoczenia, ponieważ zwiększy to efekt wywołany przez wibracje. Skorzystaj z wartości liczbowych podanych w specyfikacji dotyczącej wibracji, aby obliczyć czas trwania i częstotliwość pracy z narzędziem.

⚠ OSTRZEŻENIE: Emisja drgań podczas rzeczywistego użytkowania elektronarzędzia może różnić się od podanej wartości całkowitej w zależności od sposobu używania narzędzia. Należy zidentyfikować i wprowadzić dodatkowe środki bezpieczeństwa, mające na celu ochronę operatora przed skutkami ekspozycji na drgania w konkretnych warunkach (trzeba wziąć pod uwagę także okresy, gdy urządzenie jest wyłączone, lub gdy jest wprawdzie włączone, ale nie jest używane do pracy).

Podany w niniejszej instrukcji poziom drgań pomierzony został zgodnie z procedurą pomiarową i może zostać użyty do porównywania elektronarzędzi. Można go też użyć do wstępnej oceny ekspozycji na drgania.

Poziom hałasu i wibracji w specyfikacjach jest określony zgodnie z normami międzynarodowymi.

Wartości te reprezentują korzystanie z urządzenia w normalnych warunkach roboczych. Niedbała konserwacja, nieprawidłowy montaż lub nieprawidłowe użytkowanie urządzenia mogą spowodować wzrost poziomu hałasu oraz wibracji. www.osha.europa.eu dostarcza informacji na temat poziomów hałasu i wibracji w środowisku pracy, które mogą być przydatne dla użytkowników prywatnych, korzystających z urządzenia przez długi czas.

Ogólne instrukcje dotyczące bezpieczeństwa

⚠ OSTRZEŻENIE: Zawsze należy się stosować do podstawowych zasad korzystania z elektronarzędzi (w tym informacji na temat bezpieczeństwa ujętych w niniejszej instrukcji) podczas ich użytkowania dla zmniejszenia ryzyka pożaru, porażenia prądem obrażeń ciała. Należy przeczytać wszystkie instrukcje przed rozpoczęciem pracy oraz zachować ją na przyszłość.

⚠ OSTRZEŻENIE: Urządzenie nie jest przeznaczone do użytkowania przez osoby (w tym dzieci) o ograniczonej sprawności fizycznej lub umysłowej, lub o braku doświadczenia i wiedzy, chyba, że będą one nadzorowane lub zostaną poinstruowane na temat korzystania z urządzenia przez osobę odpowiedzialną za ich bezpieczeństwo. Należy pilnować, aby dzieci nie wykorzystwały urządzenia, jako zabawki.

UWAGA: Używaj elektronarzędzia, akcesoria, końcówki itp. zgodnie z tymi instrukcjami, biorąc pod uwagę warunki pracy i realizowane zadania. Używanie narzędzi do wykonywania prac niezgodnych z ich przeznaczeniem może doprowadzić do niebezpiecznych sytuacji.

Termin „elektronarzędzie” odnosi się do urządzenia zasilanego sieciąwo (przewodowego) lub urządzenia zasilanego za pomocą baterii (bezprowadowego).

- 1 Bezpieczeństwo obszaru pracy - Brak porządku sprzyja wypadkom**
- 2 Przemysłany obszar pracy**
 - Nie wystawiać urządzeń na deszcz
 - Nie korzystać z narzędzi w miejscach wilgotnych i mokrych
 - Miejsce pracy powinno być dobrze oświetlone
 - Nie używać narzędzi w obecności cieczy palnych lub gazów
- 3 Ochrona przed porażeniem prądem elektrycznym - Należy unikać kontaktu elementów uziemionych (jak np. grzejniki, kuchenki, lodówki)**
- 4 Ochrona osób postronnych - Nie wolno pozwolić osobom postronnym zwłaszcza dzieciom, na korzystanie z narzędzia, dotykanie przedłużacza, ani zbliżanie się do miejsca pracy**
- 5 Przechowywanie nieużywanych urządzeń -** Podczas niekorzystania z narzędzi, należy je przechowywać w suchym i bezpiecznym miejscu z dala od dzieci
- 6 Nie przeciążanie urządzeń -** Zaleca się pracę w tempie dla lepszej eksploatacji i bezpieczeństwa pracy narzędzi.
- 7 Korzystanie z odpowiednich narzędzi -** Nie wolno używać drobnych narzędzi do dużych prac,

Nie używaj narzędzi nieprzeznaczonych do danych celów, np. korzystania z piły tarczowej do cięcia gałęzi lub pni

8 Odpowiedni ubiór

- Nie należy zakładać do pracy z elektronarzędziem luźnej odzieży ani biżuterii
- Należy nosić odpowiednie obuwie podczas pracy na zewnątrz
- Nosić osłonę ochronną na długie włosy

9 Korzystanie z środków ochrony

- Należy nosić okulary ochronne
- Należy nosić środki ochrony dróg oddechowych

⚠️ OSTRZEŻENIE: Brak odpowiednich środków ochrony może spowodować uszkodzenie ciała bądź doprowadzić do urazu.

10 Podłączenie system ssącego - Jeśli narzędzie jest wyposażone w króciec ssący do odsysania pyłu, należy się upewnić, że jest przyłączone i prawidłowo zamocowane do systemu ssącego

11 Nie wolno ciągnąć przewodu zasilającego - Nigdy nie należy szarpać przewodu zasilającego, w celu odłączenia go od gniazda. Należy utrzymywać go z dala od ciepła, oleju i ostrych krawędzi. Uszkodzony bądź splątany przewód zwiększa ryzyko porażenia prądem.

12 Asekuracja - Kiedy jest to możliwe należy użyć zacisków bądź imadła, zwiększa to komfort i bezpieczeństwo pracy operatora. Jest to bezpieczniejsze od użycia rąk

13 Nie należy się wychylać - Należy utrzymywać balans i równowagę ciała podczas pracy

14 Konserwacja narzędzi

- Należy utrzymywać narzędzie w czystości i dobrze naostrzone. Zadbane narzędzia tnące z ostrymi krawędziami tnącymi rzadziej się zacinają i łatwiej nimi sterować
- Postępowanie zgodne z instrukcjami smarowania i wymiany akcesoriów
- Należy systematycznie dokonywać kontroli przewodów zasilających w razie jakichkolwiek uszkodzeń należy je naprawić w autoryzowanym serwisie
- Należy systematycznie dokonywać kontroli przewodów przedłużających i wymienić w razie uszkodzenia
- Należy utrzymywać uchwyty w czystości, bez oleju i smaru

⚠️ OSTRZEŻENIE: Niewłaściwa konserwacja elektronarzędzi jest przyczyną wielu wypadków.

15 Odłączać narzędzie z zasilania - Podczas niekorzystania z elektronarzędzia, przed oddaniem do naprawy, podczas wymiany akcesoriów, ostrej i innych przyrządzenia zawsze należy odłączyć elektronarzędzie od zasilania

⚠️ OSTRZEŻENIE: Korzystanie z akcesoriów i innego wyposażenia niezalecanego przez producenta może spowodować ryzyko powstania obrażeń.

16 Usunięcie kluczy regulacyjnych - Przed włączeniem zasilania zawsze należy się upewnić o usunięciu kluczy z urządzenia

17 Unikanie przypadkowego włączenia - Zawsze należy się upewnić, że przełącznik zasilania jest w pozycji "off" podczas podłączenia do gniazda sieciowego lub włożeniu akumulatora, bądź podczas podnoszenia lub przenoszenia elektronarzędzia

⚠️ OSTRZEŻENIE: Niezamierzone uruchomienie urządzenia może spowodować poważne obrażenia.

18 Używanie przedłużaczy na zewnątrz tylko do tego przeznaczonego - Podczas korzystania z elektronarzędzia na zewnątrz należy używać przedłużaczy przeznaczonych specjalnie do stosowania na zewnątrz. Korzystanie z przedłużacza przystosowanego do używania na zewnątrz zmniejsza ryzyko porażenia prądem

19 Pozostań czujny

- Należy uważać na to się robi, nie wolno korzystać z elektronarzędzia, gdy jest się zmęczonym
- Nie wolno korzystać z urządzenia będąc pod wpływem środków odurzających bądź leków

⚠️ OSTRZEŻENIE: Chwila nieuwagi podczas obsługi urządzenia może spowodować poważne obrażenia ciała.

20 Sprawdzanie uszkodzonych części

- Przed dalszym korzystaniem z urządzenia należy się upewnić o poprawności ich działania
- Należy sprawdzić ustawienie ruchomych części, ich oprawy, pęknięć montażu oraz wszelkich innych warunków, które mogą mieć wpływ na jego działanie
- Osłona lub inne części, które zostały uszkodzone powinny zostać naprawione lub wymienione przez autoryzowany serwis, chyba, że zaznaczono inaczej w niniejszej instrukcji
- Uszkodzone przełączniki należy wymienić w autoryzowanym centrum serwisowym

⚠️ OSTRZEŻENIE: Nie należy używać urządzenia, jeśli nie można go włączyć lub wyłączyć za pomocą odpowiedniego przełącznika. Przełącznik musi zostać naprawiony przed dalszym użyciem narzędzia.

21 Należy korzystać z odpowiednich akcesoriów - Zalecane akcesoria można znaleźć w instrukcji obsługi

⚠️ OSTRZEŻENIE: Korzystanie z akcesoriów i innego wyposażenia niezalecanego przez producenta może spowodować ryzyko powstania obrażeń.

22 Naprawa urządzenia musi przebiegać przez wykwalifikowaną osobę - Niniejsze elektronarzędzie jest zgodne z odpowiednimi normami i zasadami bezpieczeństwa. Naprawa powinna mieć miejsce tylko u wykwalifikowanej osoby, w przeciwnym razie może to spowodować niebezpieczeństwo podczas użytkowania

⚠️ OSTRZEŻENIE: Podczas serwisowania należy używać wyłącznie autoryzowanych części zamiennych.

⚠️ OSTRZEŻENIE: Jeśli przewód zasilający jest uszkodzony musi zostać wymieniony przez producenta lub autoryzowane centrum serwisowe.

23 Wtyczki sieciowe elektronarzędzi muszą pasować do gniazda sieciowego - Nigdy nie wolno modyfikować wtyczki w jakikolwiek sposób. W przypadku elektronarzędzi z uziemieniem nie należy stosować przejściówek. Oryginalne i pasujące wtyczki zmniejszają ryzyko porażenia prądem.

24 Podczas korzystania z urządzenia na zewnątrz należy korzystać z wyłącznika różnicoprądowego (RCD) - Korzystaj z wyłącznika RCD co zmniejszy porażenie prądem

25 W przypadku korzystania z urządzenia w Australii lub Nowej Zelandii, zalecane jest zasilanie urządzenia TYLKO z wykorzystaniem wyłącznika różnicoprądowego (RCD) o znamionowym prądzie różnicowym nieprzekraczającym 30 Ma

- 26 **Użyj odpowiedniego przedłużacza. Upewnij się, że przedłużacz jest w dobrym stanie. Używając przedłużacza, upewnij się, że używasz przedłużacza wystarczająco solidnego, aby utrzymać prąd pobierany przez produkt.** Zbyt mały przewód spowoduje spadek napięcia w sieci, co spowoduje utratę mocy i przegrzanie. Tabela A pokazuje właściwy rozmiar do użycia w zależności od długości przewodu i znamionowego prądu znamionowego. W razie wątpliwości użyj następnego cięższego miernika. Im mniejszy numer, tym cięższy przewód
- 27 **Nigdy nie należy pozostawiać urządzenia uruchomionego bez nadzoru. Wylącz urządzenie.** Nie pozostawiaj maszyny dopóki kompletnie się nie zatrzyma.

Nawet przy stosowaniu zgodnie z zaleceniami nie jest możliwe wyeliminowanie wszystkich szczytkowych czynników ryzyka. Używaj ostrożnie. Zachowaj wszystkie ostrzeżenia i instrukcje na przyszłość.

⚠ OSTRZEŻENIE: Przed podłączeniem narzędzia do źródła zasilania (gniazda zasilania wyłącznika sieciowego, sieci itp.) należy upewnić się, że napięcie zasilania jest takie samo, jak podano na tabliczce znamionowej urządzenia. Źródło zasilania o napięciu większym niż napięcie określone dla narzędzia może spowodować poważne obrażenia użytkownika oraz uszkodzenie narzędzia. W przypadku wątpliwości nie podłączaj urządzenia do danego źródła zasilania. Korzystanie ze źródła zasilania o napięciu mniejszym niż napięcie określone na tabliczce znamionowej jest szkodliwe dla silnika.

Tabela A						
Ocena w amperach		Wolty	Całkowita długość przewodu zasilania w metrach			
		120	7,5	15	30,5	46
		240	15	30,5	61	92
Więcej niż	Nie więcej niż		Minimalny przekrój przewodu			
0	6		18	16	16	14
6	10		18	16	14	12
10	12		16	16	14	12
12	16		14	12	Nie zaleca się	

Bezpieczeństwo korzystania z narzędzi tnących

⚠ OSTRZEŻENIE: Przed podłączeniem narzędzia do źródła zasilania (gniazda zasilania wyłącznika sieciowego, sieci itp.) należy upewnić się, że napięcie zasilania jest takie samo, jak podano na tabliczce znamionowej urządzenia. Źródło zasilania o napięciu większym niż napięcie określone dla narzędzia może spowodować poważne obrażenia użytkownika oraz uszkodzenie narzędzia. W przypadku wątpliwości nie podłączaj urządzenia do danego źródła zasilania. Korzystanie ze źródła zasilania o napięciu mniejszym niż napięcie określone na tabliczce znamionowej jest szkodliwe dla silnika.

Użytkowanie odpowiedniego narzędzia tnącego

- Należy się upewnić, że narzędzie tnące jest odpowiednie do danej pracy. Nie wolno zakładać, że narzędzie jest odpowiednie bez sprawdzenia dokumentacji produktu przed zastosowaniem.

Ochrona oczu

- Zawsze należy nosić odpowiednie środki ochrony oczu podczas korzystania z narzędzi tnących
- Okulary do czytania nie zapewniają żadnej ochrony podczas korzystania z narzędzia; zwykłe soczewki nie są odporne na uderzenia i mogą ulec zniszczeniu

Ochrona słuchu

- Zawsze należy nosić odpowiednie środki ochrony słuchu podczas korzystania z narzędzi, których poziom natężenia dźwięku może przekroczyć 85dB

Ochrona dróg oddechowych

- Należy się upewnić o własnym oraz osób przebywających wokół o posiadaniu odpowiednich środków ochrony dróg oddechowych

Ochrona dłoni

- Nie dopuszczać do zbliżania dłoni do tarczy tnącej lub brzeszczotu. Używać odpowiedniego popychacza do krótszych przedmiotów i odpowiednich elektronarzędzi

Świadomość innych osób przebywających wokół

- Obowiązkiem operatora jest upewnić się o nie narażeniu osób znajdujących się w pobliżu obszaru roboczego na hałas lub kurz i wyposażeńiu ich w odpowiedni sprzęt ochronny

Ukryte przedmioty

- Należy sprawdzić przedmiot roboczy i usunąć wszystkie gwoździe i inne obiekty osadzone w przedmiocie przed rozpoczęciem cięcia
- Nie wolno ciąć przedmiotu, który posiada osadzone obiekty, wyjątkiem są narzędzia, które nadają się do takiej pracy
- Ściany mogą ukrywać okablowanie, rury odpływowe, panele nadwozia przewody paliwowe, zaś wysoka trawa kamienie i szkło. Należy, więc zawsze przed rozpoczęciem pracy dokładnie sprawdzić obszar roboczy.

Uwaga na wyrzucane odpady

- W pewnych sytuacjach materiał może być wyrzucany z prędkością z urządzenia. Odpowiedzialnością użytkownika jest zadbać, by osoby znajdujące się w pobliżu były chronione przed wyrzutem odpadów

Montaż akcesoriów tnących

- Należy się upewnić, że narzędzie tnące zostało prawidłowo zmontowane, a klucze i inne regulatory zostały usunięte przed rozpoczęciem pracy
- Należy używać tylko zalecanych akcesoriów dla danego urządzenia
- Nie wolno podejmować prób modyfikacji narzędzi skrawających
- Upewnij się, że noże są wystarczająco ostre, w dobrym stanie i odpowiednio zamontowane
- Nie wolno próbować ostrzyć noży/tarczy. Ostrza hartowane lub wykonane z hartowanych stopów zawierających zazwyczaj wolfram nie mogą być ponownie ostrzone bez profesjonalnego sprzętu

- Zamontuj ostrza, które są przeznaczone wyłącznie dla danego elektronarzędzia
- W przypadku gdy brzeszczot napotka osadzony w detalu obiekt wymagający stosowania innego brzeszczotu, powinien zostać natychmiast wymieniony

Kierunek wprowadzania materiału

- Należy zawsze wprowadzać materiał w kierunku przeciwnym do obrotu ostrzy/tarczy/noża

Uwaga na emisję ciepła

- Narzędzia tnące i obrabiane przedmioty nagrzewają się podczas użytkowania. Nie wolno dokonywać próby wymiany narzędzia do jego całkowitego ostygnięcia

Kontrola odpadów/wiór

- Nie wolno dopuścić do spiętrzania się kurzu i materiału odpadowego. Trociny są zagrożeniem pożarowym, zaś niektóre metalowe opiłki są wybuchowe
- Należy zachować szczególną ostrożność podczas cięcia drewna i metalu. Wytwarzane iskry podczas cięcia metalu są częstą przyczyną zapalenia się drewnianych strużyn
- W miarę możliwości należy używać systemu odsysania pyłu w celu zapewnienia bezpiecznego środowiska pracy

Bezpieczeństwo korzystania z grubościówki

⚠ OSTRZEŻENIE: Nigdy nie używaj urządzenia bez zamontowanej i prawidłowo ustawionej odpowiedniej osłony.

⚠ OSTRZEŻENIE: Każda część bloku tnącego, która nie jest używana do strugania, powinna być chroniona.

⚠ OSTRZEŻENIE: Podczas strugania wąskich elementów, w celu zapewnienia bezpiecznej pracy, mogą być konieczne dodatkowe środki, takie jak użycie poziomych urządzeń ciśnieniowych.

⚠ OSTRZEŻENIE: Narzędzia do strugania nie powinny być używane do cięcia przylgi, wnęki, czopu lub formy.

- **Należy korzystać z odpowiednich masek przeciwpyłowych.** Korzystanie z powyższego urządzenia, powoduje emisję pyłu, który może zawierać substancje chemiczne, znane, jako przyczyna raka, wad wrodzonych oraz innych zaburzeń procesu reprodukcyjnego. Niektóre rodzaje drewna mogą zawierać substancje konserwujące, jak np. arsenian chromu miedzi (CCA), który może okazać się toksyczny. Podczas szlifowania, wiercenia lub cięcia takich materiałów należy podjąć dodatkowe środki ostrożności, jednocześnie unikając wdychania oparów i zminimalizowania kontaktu ze skórą.
- **Korzystaj wyłącznie z ostrych noży.** Uważaj podczas przenoszenia noży i zakładaj rękawice odporne na przecięcia.

⚠ OSTRZEŻENIE: Nie używać noży, które są tępe, gdyż zwiększa to ryzyko odrzutu.

- **Wszelkie szmatki, sznurki, wystające elementy, które mogą zostać wciągnięte w mechanizm struga należy usunąć z powierzchni pracy elektronarzędzia.** W celu uniknięcia wciągnięcia tych materiałów w mechanizm maszyny.

- **Pozwól, aby urządzenie osiągnęło swoją pełną prędkość, przed zetknięciem się z materiałem obróbki i rozpoczęciem cięcia.**

- **ZAWSZE wyłączać i odczeka dopóki ostrza kompletnie się nie zatrzymają, przed dokonaniem jakichkolwiek ustawień, czyszczeniem bądź konserwacją.**
- **Wymieniać wszystkie noże w tym samym czasie, w przeciwnym wypadku, rezultat braku równowagi, spowoduje wibracje i skróci czas eksploatacji maszyny oraz noży.**
- **Nie próbować wykonywać cięć, które nie zostały opisane przez producenta.** Cięcia zatrzymywane, wgłębienia, czopy, formowanie, bądź struganie mocno pochylonego drewna nie jest dozwolone tym narzędziem.
- **Nie korzystaj ze strugarki, jeśli nie została przymocowana do stabilnej powierzchni.** Bez odpowiedniego mocowania strugarki, maszyna może zostać przesunięta podczas pracy, potencjalnie powodując obrażenia ciała operatora.
- **Należy zawsze trzymać popychacz obok blatu wprowadzania materiału podczas strugania.** Podczas strugania krótkich elementów, należy korzystać z popychaczy. Korzystaj z popychaczy podczas wprowadzania przedmiotu obróbki, gdy są w bliskim sąsiedztwie ostrza i obrabianego materiału, bądź kiedy grubość ostrza jest mniejsza niż 75 mm.
- **Nie próbuj strugać wygiętego materiału, jeśli nie ma odpowiedniego kontaktu z blatem wprowadzania materiału.**
- **Nie należy dokonywać strugania na materiałach krótszych niż średnica równa długości głowicy tnącej plus 50 mm, węższej niż 19 mm bądź szerszej niż zdolność cięcia w calach, bądź cięższej niż 13 mm.**
- **Zachować właściwe relacje powierzchni blatu wprowadzania i wyjścia materiału oraz drogi noża głowicy tnącej.**
- **Przez cały czas pracy należy odpowiednio podtrzymywać przedmiot pracy; a także zachowywać kontrolę nad pracą.**
- **Nie należy cofać pracy w kierunku blatu wprowadzania.**
- **Nie należy próbować wykonywać nietypowych lub mało używanych operacji bez nauki lub bez użycia odpowiednich bloków przytrzymujących/popychaczy, przyrządów, uchwytów, ograniczników itp.**
- **Podczas transportu narzędzia należy upewnić się, że używane są jego uchwyty transportowe (nie uchwyty operacyjne) oraz że wszystkie mechanizmy blokujące i osłony są bezpiecznie umieszczone.**

Zapobieganie efektowi odrzutu

Uwaga: Odrzut to gwałtowna reakcja narzędzia na zaklinowanie, zablokowanie lub przemieszczenie ostrza piły, powodujące podniesienie i wyrzucenie bezwładnej piły z przedmiotu obróbki w stronę operatora. Może także pociągnąć dłoń użytkownika w stronę tarczy tnącej, powodując poważne obrażenia.

⚠ OSTRZEŻENIE: Odrzut jest efektem niewłaściwego użytkowania piły i nieprzestrzegania właściwych procedur lub warunków obsługi urządzenia, któremu można zapobiec w następujący sposób:

- NIGDY nie wolno próbować ciąć nożem, który jest zużyty, bądź wygięty. ZAWSZE się upewnij, iż ostrze jest kompatybilne z ciętym materiałem.**

- b) **ZAWSZE** należy pamiętać o równoległym ustawieniu prowadnicy w stosunku do tarczy tnącej. *Prowadnica przechyla się do środka w kierunku tarczy tnącej, obrabiany przedmiot może się stykać z tylną krawędzią ostrza i zostać wyrzucony w kierunku użytkownika w niekontrolowany sposób.*
- c) **Należy zachować szczególną OSTROŻNOŚĆ podczas cięcia dużych elementów.** *Upewnij się, że duże przedmioty zostało odpowiednio zabezpieczone przy wprowadzaniu i wyprowadzaniu materiału.*
- d) **NIE WOLNO** ciąć okrągłych elementów, które nie mogą płasko leżeć na blacie. *Unikaj obrabiania skręconego, zniekształconego, bądź sękatego drewna.*
- e) **NIE WOLNO** ciąć mokrego drewna, gdyż powoduje ono większe tarcie dla ostrza. *Mokry pył, może się zbierać na tarczy, zwiększając prawdopodobieństwo odrzutu.*
- f) **ZAWSZE** należy zachować solidny uchwyt na obrabianym przedmiocie obiema rękami, ustawiając swoje ramiona w taki sposób, aby przeciwdziałać odrzutowi.
- g) **Ustaw się z dala od tarczy tnącej, najlepiej po drugiej stronie tarczy, jednakże nie stojąc równo w linii z tarczą.**
- h) **NIE WOLNO** wycofywać elementu obróbki podczas cięcia. *Jeśli musisz niespodziewanie zaprzestać pracę, należy najpierw wyłączyć pilarkę, a następnie wyjąć przedmiot z tarczy tnącej, po tym jak całkowicie się zatrzyma.*
- i) **ZAWSZE** korzystaj z popychaczy bądź innych elementów w celu naprowadzenia materiału. *Skorzystaj z grzebieni dociskowych do przytrzymania przedmiotu obróbki, kiedy tylko to jest możliwe.*

Przedstawienie produktu

1. Obudowa wału nożowego
2. Boczne śruby mocujące panel
3. Skala wysokości
4. Wskaźnik skali
5. Rynna do odciążu wiórów
6. Wkręty sześciokątne do rynny do odciążu wiórów
7. Śruba mocująca uchwyt korbowy
8. Zaślepka mocująca uchwyt korbowy
9. Uchwyt korbowy
10. Błat wprowadzania materiału
11. Błat centralny
12. Przycisk reset wyłącznika obwodu
13. Przełącznik ON/OFF
14. Zaślepka dostępu do szczotek węglowych
15. Klucz sześciokątny
16. Wkręty sześciokątne panelu osłony noży
17. Panel osłony noży
18. Miejsce do mocowania rynny do odciążu wiórów
19. Magnesy

Zastosowanie zgodne z przeznaczeniem

Montowana do blatu roboczego, zasilana siecią grubościówka, przeznaczona do ciężkich zadań związanych ze struganiem arkuszy drewna twardego i miękkiego o długości większej niż 380 mm. Przygotowuje nierówny materiał i wytwarza kantówki do wykonania połączeń i strugania na grubość w celu uzyskania nielolitych płaskich desek do różnych projektów.

Rozpakowanie urządzenia

- Ostrożnie rozpakuj i sprawdź narzędzie. Zapoznaj się ze wszystkimi mechanizmami i funkcjami
- Upewnij się, że narzędzie zawiera wszystkie części i są one w dobrym stanie. Jeśli brakuje pewnych części lub są one uszkodzone, należy uzupełnić lub wymienić je przed rozpoczęciem korzystania z narzędzia

Przygotowanie do eksploatacji

⚠️ OSTRZEŻENIE: ZAWSZE przed przeprowadzeniem czynności konserwacyjnych, czyszczenia, bądź inspekcji należy odłączyć urządzenie od głównego zasilania.

⚠️ OSTRZEŻENIE: ZAWSZE należy nosić odpowiednie rękawice ochronne odporne na przecięcia podczas obsługi wału nożowego (1) tego urządzenia bądź podobnych elementów.

Mocowanie do stołu

- Należy ustawić urządzenie na stabilnej płaskiej powierzchni, tak, że stół jest ustawiony poziomo, a urządzenie nie może się przewrócić
- Jeśli grubościówka jest zazwyczaj używana w stałej pozycji zaleca się zabezpieczenie jej na stabilnym podłożu, w następujący sposób:
 1. W podstawie grubościówki, na czterech narożnikach wykonane zostały otwory montażowe (zdjęcie A) umożliwiające mocowanie urządzenia do powierzchni (stołu warsztatowego). Za pomocą dużych śrub, podkładek i nakrętek (brak w zestawie) należy zabezpieczyć urządzenie
 2. Jeśli grubościówka ma mieć zastosowanie, jako urządzenie przenośne, zaleca się przymocować deskę, którą można łatwo zacisnąć i zdjąć z różnych powierzchni montażowych
 3. Jeśli używasz śrub, upewnij się, że są wystarczająco długie, aby wbić się w stół warsztatowy lub płytę na tyle, aby zapewnić bezpieczne mocowanie

Instalacja uchwytu korbowego

Mocowanie korby (9) na miejscu dla niej przeznaczonym (patrz zdjęcie główne) odbywa się po prawej stronie panelu grubościówki:

1. Przekręcić podkładkę sprężystą na śrubie mocującej uchwyt korbowy (7)
2. Umieścić uchwyt korbowy na gwintowanym trzpieniu (zdjęcie B)
3. Przymocować uchwyt korbowy przy pomocy śruby mocującej w celu zabezpieczenia uchwytu. Przykręcić śrubę za pomocą klucza sześciokątnego (15)
4. Włożyć zaślepkę montażową na uchwyt korbowy (8), w celu zamaskowania montażu

Podłączenie rynny do odciągu wiórów

Rynna do odciągu wiórów (5) jest montowana w celu wydobycia zbędnych resztek materiału powstałych podczas pracy.

1. Przy pomocy 2 x wkrętów sześciokątnych do rynny (6) należy zamontować ją do obudowy wału nożowego grubościówki (1) korzystając z miejsca do mocowania rynny do odciągu wiórów (18) (zdjęcie C)
2. Po zamontowaniu rynny w odpowiednim miejscu, należy podłączyć wąż do systemu odsysania
3. Należy najpierw uruchomić system odsysania wiórów przed włączeniem grubościówki

Sprawdzanie poziomu obudowy wału nożowego grubościówki

- Rolka obudowy (1) jest sprawdzona i wyrównywana fabrycznie. Jednakże może zostać przesunięta podczas transportu i przenoszenia
- Jeśli obudowa wału nie jest wypoziomowana z białem centralnym (11) może to spowodować cięcie stożkowe, kiedy jedna strona materiału jest grubsza niż druga. Może to także spowodować nierównomierne zużycie noża
- Zaleca się sprawdzenie równości noży poprzez przeprowadzenie testu: przepuszczenie przez maszynę dwóch kawałków materiału z każdej strony (lewej i prawej)
- Wykonanie pomiaru i porównanie wyników pozwoli ocenić, czy noże są prawidłowo ustawione i/lub zdeterminować ilość przeprowadzenia wymaganych korekt
- Jeśli noże muszą zostać wyrównane ponownie, należy odnieść się do paragrafu 'Konserwacja – ponowne wyrównanie obudowy wału nożowego'

Obsługa

⚠ OSTRZEŻENIE: ZAWSZE przed przeprowadzeniem czynności konserwacyjnych, czyszczenia, bądź inspekcji należy odłączyć urządzenie od głównego zasilania.

⚠ OSTRZEŻENIE: Podczas obsługi wału nożowego (1) i jej podzespołów należy zawsze zakładać odpowiednie rękawice chroniące przed przecięciem.

Zasady bezpiecznej pracy powyższym urządzeniem

- Należy odłączyć maszynę od źródła zasilania za każdym razem przed przeprowadzaniem regulacji bądź wymianą części
- Upewnić się, że przełącznik ON/OFF znajduje się w pozycji 'OFF' przed podłączeniem urządzenia do źródła zasilania
- Trzymać kończyny z daleka od poruszających się elementów maszyny
- Nosić maskę przeciwpyłową oraz okulary ochronne podczas obsługi powyższego urządzenia
- Upewnić się, że wszystkie części ruchome swobodnie się poruszają i nie wpadają w żadne zakłócenia
- Noże powinny być odpowiednio naostrzone, wyrównane i prawidłowo zabezpieczone do głowicy tnącej
- Nigdy nie wolno uruchamiać urządzenia, kiedy obrabiany materiał jest w kontakcie z nożami
- Za każdym razem, kiedy urządzenie nie jest w użyciu, należy je wyłączyć i odłączyć od źródła zasilania

- Należy utrzymywać grubościówkę w dobrym stanie. Postępować zgodnie z instrukcjami dotyczącymi konserwacji (patrz 'Konserwacja')
- Nie wolno przeprowadzać częściowych cięć materiału – należy pozwolić strugarce na całkowitą obróbkę
- Grubościówka nie jest przeznaczona do wykonywania cięć wgłębnych, stożkowych i innych kształtów formujących materiał

Wymiary obrabianego materiału

- Obrabiany materiał musi posiadać minimalne i maksymalne wymiary zgodne z następującymi:
 - I. Minimalna grubość: 3,2 mm
 - II. Minimalna długość: 380 mm
 - III. Minimalna szerokość: 19 mm
 - IV. Maksymalna szerokość: 317 mm
- Nie należy używać, słabego, suchego, bądź uszkodzonego drewna, który może zepsuć mechanizm strugarki, silnik oraz spowodować efekt odrzutu
- Upewnij się, że drewno nie posiada ukrytych obiektów, w tym gwoździ, wkrętów, bądź zszywek. Ukryte elementy mogą doprowadzić do odrzutu
- Nie należy strugać wypaczonego drewna, przez co nie ma bezpośredniego kontaktu z białem wprowadzania
- Powyższe urządzenie jest przeznaczone wyłącznie do obrabiania naturalnego drewna
- Należy usunąć klej oraz jakiegokolwiek obiektu osadzone w materiale przed jego struganiem
- Zaleca się korzystanie z całkowitej szerokości głowicy tnącej, w celu uniknięcia nierównomiernego zużycia noża

Regulacja wysokości obudowy wału nożowego

- Obudowa wału nożowego (1) zawiera silnik, głowicę tnącą z nożami oraz rolki wprowadzania i wysuwania
- Należy obrócić uchwyt korbowy (9), aby podnieść bądź obniżyć obudowę wału. Jeden pełny obrót uchwytem korbowym podwyższa bądź obniża obudowę wału nożowego strugarki o 1,58 mm
- Wskaźnik skali (4) oraz skala grubości struganego materiału (3) zapewnią odczyt metryczny i calowy, wysokości głowicy tnącej nad białem centralnym (11) – oraz przybliżoną grubość materiału po obróbce
- Skala grubości struganego materiału jest kalibrowana fabrycznie. Przy precyzyjnej obróbce drewna zaleca się sprawdzenie wymiarów z kalibrem lub miernikiem cyfrowym grubości przed i po każdej obróbce

Ustawienie głębokości cięcia

- W celu zabezpieczenia silnika oraz głowicy tnącej, zaleca się ustawienie maksymalnej głębokości cięcia, jak poniżej:

Maksymalna głębokość strugania	
Szerokość obrabianego materiału	Maksymalna głębokość cięcia
do 125 mm	2,38 mm
Od 125 mm do 317 mm	1,6 mm

Aby ustawić głębokość strugania należy:

1. Zmierzyc aktualną głębokość obrabianego materiału i porównać z wymaganą grubością
2. Odnieść się do tabeli 'Maksymalna głębokość strugania', aby określić ile razy materiał będzie musiał przejść przez maszynę
3. Jeśli materiał wymaga pojedynczego przejścia:
 - Użyj uchwytu korbowego, aby przesunąć obudowę wału (1) w górę bądź w dół, dopóki wskaźnik skali (4) na skali do grubości struganego materiału nie wskaże wymaganej grubości obrabianego materiału
4. Jeśli materiał wymaga więcej niż jednego przejścia przez maszynę:
 - a) Zaleca się podzielenie całej wymaganej ilości na przejścia o mniej więcej równej głębokości
 - b) Dla pierwszego cięcia należy ustawić aktualną wysokość wału obudowy minus ilość obliczona w punkcie powyżej
 - c) Sprawdzić pomiar po każdym cięciu za pomocą kalibru bądź miernika cyfrowego grubości

Włączanie i wyłączanie grubościówki

- Przełącznik ON/OFF (13) znajduje się z przodu grubościówki
- Aby uruchomić maszynę, należy wcisnąć zielony przycisk ON (I)
- Aby wyłączyć strugarkę należy wcisnąć czerwony przycisk OFF (O)

Wyłącznik obrotu

- Wyłącznik obrotu został zainstalowany obok przełącznika ON/OFF (13) (zdjęcie M)
- Jeśli zostanie wykryty nadmierny prąd elektryczny, wyłącznik obrotu automatycznie odetnie zasilanie elektryczne
- Przed zresetowaniem wyłącznika obrotu należy sprawdzić silnik, włącznik oraz podłączenie zasilania, czy nie doszło do zwarcia bądź uszkodzenia elementów urządzenia
- W celu zresetowania wyłącznika obrotu:
 - o Wcisnąć czerwony przycisk (O) w celu wyłączenia urządzenia
 - o Wcisnąć wyłącznik reset obrotu (12)

Obsługa grubościówki

⚠ OSTRZEŻENIE: Zawsze należy używać odpowiedniego wyposażenia ochronnego, podczas operowania tym narzędziem min. okularów ochronnych, środków ochrony dróg oddechowych oraz środków ochrony słuchu

- Aby uzyskać lepszy efekt zaleca się określenie żądanej głębokości strugania oraz końcowej grubości obrabianego materiału przed rozpoczęciem strugania. Ponieważ została określona maksymalna głębokość strugania, może być konieczne kilka przejść przez strugarkę, w celu uzyskania wymaganej grubości materiału
- Ogólnie rzecz biorąc cieńsze kawałki obrabianego materiału, gwarantują lepsze efekty pod względem gładkości materiału, grubości, mniejszego efektu odrzutu, mniejszego zużycia głowicy tnącej oraz silnika
- Aby zapobiec efektowi odrzutu, nie należy wykonywać cięć głębszych niż 2,4 mm (3/32") przy jednym przejściu
- Jeśli będzie konieczne cięcie więcej niż jedno, wał nożowy strugarki musi być opuszczony ręcznie po zakończeniu każdego cięcia

- W przypadku twardego drewna, szerokiego oraz o nierównej powierzchni należy ustawić płytką głębokość strugania
- Należy unikać drewna wypaczonego bądź z wieloma sękami
- W razie konieczności należy wyrównać powierzchnię, co najmniej z jednej strony przy pomocy innych urządzeń przed użyciem strugarki
- Należy strugać materiał z obu stron po połowie wymaganej grubości materiału, w celu uzyskania całkowitego efektu. Dzięki temu uzyskamy dwie gładkie powierzchnie z tą samą zawartością wilgoci i z mniejszym prawdopodobieństwem wygięcia po naturalnym wyschnięciu materiału
- Należy wykonać próbę z podobnym materiałem, w celu sprawdzenia dokładności ustawień przed rozpoczęciem prawidłowego strugania
- W miarę możliwości należy obrabiać materiał w kierunku włókien drewna
- Dla długich i szerokich przedmiotów obróbki, należy zapewnić odpowiednią podporę zabezpieczającą materiał

1. Ustaw głębokość strugania (patrz wyżej 'Ustawienie głębokości strugania')
2. Stań po stronie uchwytu korbowego (9). Nigdy nie wolno stać naprzeciwko obrabianego materiału, a także nie wolno pozwolić nikomu stać, ani przekraczać linii głowicy tnącej. Efekt odrzutu bądź wyrzucane strużyny i zbędny materiał będzie się kierował właśnie w tym kierunku
3. Ustaw obrabiany element na blacie do wprowadzania materiału (10) z powierzchnią do obróbki skierowaną w górę
4. Włącz urządzenie i pozwól, aby głowica tnąca osiągnęła maksymalną prędkość
5. Trzymając mocno i pewnie materiał należy go wolno przesuwać w kierunku wału nożowego strugarki

UWAGA: Nigdy nie wolno wprowadzać obrabianego materiału od odwrotnej strony, czyli biału wyjścia

6. Zaprzestać przesuwania materiału, kiedy zostanie on złapany przez wał nożowy strugarki. Rolka podająca przesuwa element automatycznie przez strugarko-grubościówkę
7. Nie wolno stosować siły podczas wykonywania cięć. Zwalnianie siłowe bądź przyspieszanie spowoduje przegrzanie silnika
8. Należy pamiętać o trzymaniu rąk z daleka od noży bądź wyrzucanych strużyn, podczas gdy silnik pracuje
9. Należy zabezpieczyć duże elementy obróbki, w celu stabilizacji materiału gdyż jest on przesuwany podczas pracy strugarką
10. Przesunąć się na tył maszyny, aby odebrać obrabiony element. Nie ciągnąć materiału na siłę
11. Jeśli element obróbki został zakleszczony wewnątrz maszyny, należy wyłączyć urządzenie od zasilania, podnieść obudowę wału nożowego od obrabianego elementu i POZWOLIĆ, ABY MASZYNA SAMOCZYNNIE SIĘ ZATRZYMAŁA
12. Kiedy urządzenie jest włączone, bądź nie zostało kompletnie zatrzymane nigdy nie wolno wkładać rąk do jego wnętrza
13. Używaj rolek wprowadzania i wyprowadzania materiału podczas pracy z dużymi i długimi elementami
14. Przy precyzyjnej obróbce drewna zaleca się sprawdzenie wymiarów z kalibrem lub miernikiem cyfrowym grubości przed i po każdej obróbce

Akcesoria

- Szeroki zakres akcesoriów, w tym noże do grubościówek, są dostępne u dystrybutora Triton
- Zakup części zamiennych jest dostępny do zakupu u dystrybutora marki Triton oraz na stronie internetowej tools.paresonline.com

Konserwacja

⚠️ OSTRZEŻENIE: ZAWSZE przed przeprowadzeniem czynności konserwacyjnych, czyszczenia, bądź inspekcji należy odłączyć urządzenie od głównego zasilania.

⚠️ OSTRZEŻENIE: ZAWSZE należy nosić odpowiednie rękawice ochronne odporne na przecięcia podczas obsługi wału nożowego (1) tego urządzenia bądź podobnych elementów.

Jakiekolwiek uszkodzenia maszyny powinny być naprawione i szczegółowo sprawdzone przed użyciem, przez wykwalifikowany personel techniczny.

Uwaga: Urządzenie powinno być serwisowane przez wykwalifikowany personel naprawy przy użyciu wyłącznie oryginalnych części zamiennych. Zagwarantuje to bezpieczeństwo elektronarzędzia

- Niniejsze narzędzie zostało wyprodukowane przy użyciu wiodącej klasy komponentów i wykorzystaniu inteligentnych układów, które chronią narzędzie i jego element. Przy normalnej obsłudze powinno zapewnić operatorowi długi czas użytkowania

Czyszczenie i smarowanie

- Należy zawsze dbać o czystość urządzenia. Brud i kurz powodują szybsze zużycie elementów wewnętrznych i skracają okres eksploatacji urządzenia. Należy czyścić korpus urządzenia miękką szmatką lub suchą ścierką. Jeśli to możliwe, przedmuchać otwory wentylacyjne czystym powietrzem sprężonym
- Po zakończeniu pracy, należy odkurzyć maszynę, w celu pozbycia się strużyn, odłamków i kurzu z powierzchni urządzenia
- Zaleca się stosowanie rozтворów czyszczących (niezawartych w komplecie), w celu usunięcia nagromadzonej żywicy i smaru
- Usunąć pył, strużyny oraz smar z powierzchni łańcuchów oraz przekładni
- Łożyska w zespołach głowicy silnika i głowicy tnącej są fabrycznie zamknięte i nie powinny wymagać dalszego smarowania
- Cztery element urządzenia, które wymagają regularnego smarowania:
 - o Pionowy mechanizm śrubowy obudowy wału nożowego (x2)
 - o Blokada rozrządu obudowy wału nożowego
 - o Pionowe szyny obudowy wału nożowego (x4)
 - o Wałek napędu łańcuchowego posuwu
- Należy zdjąć oba boczne panele, aby dostać się do powyższych elementów
- Wyczyścić łańcuch przed przystąpieniem do jego nasmarowania. Zastosować olej w sprayu (niezawarty w komplecie) do nasmarowania łańcucha. Odczekać chwilę zanim smar przedostanie się pomiędzy łączenia, po czym wysuszyć powierzchnię szmatką
- Usunąć smar z innych elementów maszyny, po czym nałożyć cienką warstwę smaru uniwersalnej klasy (nieodłączzonego do kompletu)

- Błat roboczy oraz jego przedłużenie może być pokryte bardzo cienką warstwą wosku (nieodłączzonego do kompletu) w celu ochrony powierzchni przed rdzewieniem i tym samym sprawnym wprowadzeniem materiału

Ponowne wyrównanie obudowy wału nożowego

- Należy przetestować noże poprzez podwójny posuw materiału z dwóch stron przez strugarkę (z lewej i prawej strony)
- Zmierzyć i porównać wynik, w celu sprawdzenia czy noże zostały prawidłowo wyrównane i/bądź określić ilość wymaganych poprawek
- Aby skorygować nierówności, należy:
 1. Wyłączyć urządzenie oraz odłączyć je od zasilania
 2. Ostrożnie umieścić strugarkę na jej tylnej części
 3. Odkręcić wkręty wspornika mocującego wrzeciono poziome po stronie korby (9) grubościówki(zdjęcie D)
 4. Ostrożnie odłączyć połączenia przekładni (zdjęcie E)
 5. Powoli obracając uchwytem korbowym, w celu podniesienia bądź opuszczenia obudowę wału nożowego, w celu ponownego ustawienia jej na pionowej śrubie
 6. Obrócić uchwyt korbowy w przód bądź w tył w zależności od potrzeby wyrównania. Każdy całkowity obrót uchwytem korbowym dokonuje regulacji o 1,5 mm
 7. Ponownie połączyć przekładnie i zamontować uchwyt mocujący wrzeciono poziome
 8. Ostrożnie umieścić strugarkę z powrotem pionowo
 9. Ponownie przeprowadzić test w celu sprawdzenia poziomu obudowy wału nożowego
 10. Powtórzyć proces korekty w razie potrzeby przeprowadzenia kolejnych regulacji

Sprawdzenie i wymiana noży strugarki

Inspekcja noży strugarki:

1. Należy zlokalizować panel osłony noży (17), który znajduje się z tyłu urządzenia. Poluzować i wyjąć wkręty sześciokątne panelu osłony noży (16) z drugiej strony odchylic i podnieść panel (Zdjęcie F)
2. Kolejno zidentyfikować głowicę tnącą oraz DWA ostre noże na teźże głowicy
3. Bez dotykania noży, ostrożnie obrócić głowicę tnącą dopóki samo sprężające zatrzasknięcie kliknie i zablokuje głowicę tnącą
4. Przy użyciu klucza sześciokątneho (15) należy wykręcić sześć śrub z pokrywy noży (Zdjęcie G)
5. Przy pomocy magnesu (19), ostrożnie zdjąć pokrywę noży
6. Po czym zastosować magnes do zdjęcia noży
7. Sprawdzić, czy noże noszą znamiona zużycia bądź zniszczenia. Noże, które są tępe, zużyte, ponacinane, bądź powodują, że obrabiany materiał jest porodzierany, posiada odpryski, podniesione krawędzie i nierówną powierzchnię

Wymiana noży:

Uwaga: Noże należy wymieniać wyłącznie w parze.

Uwaga: Nigdy nie wolno mieszać noży starych z nowymi na tej samej głowicy tnącej. Nigdy nie wolno mieszać noży z różnym stopniem zużycia. Nigdy też nie należy używać noża z niesymetrycznym zużyciem po każdej ze stron oraz nigdy nie wolno stosować noży innych niż zalecone przez producenta

1. Przy pomocy magnesu (19) należy ustawić nowe noże na głowicy tnącej
2. Dokładnie umieścić noże na dwóch kołkach montażowych
3. Za pomocą magnesu przenieść pokrywę noży na miejsce
4. Dokładnie i równo ustawić pokrywę na sześciu otworach montażowych głowicy tnącej
5. Przykręcić i zabezpieczyć pokrywę sześcioma śrubami

Inspekcja i wymiana drugiego noża:

1. Aby się dostać do drugiego noża, należy delikatnie pociągnąć i przytrzymać zatrzask z boku głowicy tnącej w celu jego zwolnienia (zdjęcie H)
2. Kiedy głowica zostanie obrócona, należy zwolnić zatrzask
3. Bez dotykania noży, ostrożnie obrócić głowicę tnącą dopóki samo sprzęgające zatrzasknięcia kliknie i zablokuje głowicę tnącą
4. Całą czynność sprawdzenia i wymiany drugiego noża należy powtórzyć jak powyżej

Sprawdzenie i wymiana szczotek węglowych

- Szczotki węglowe wewnątrz silnika mogą ulec zużyciu z biegiem czasu
- Nadmierne zużycie szczotek może powodować utratę mocy, sporadyczne awarie lub widoczne iskrzenie
- Żywotność szczotki jest różna w zależności od obciążenia silnika. Sprawdzaj szczotki węglowe, co 100 godzin użycia
- Należy wymienić szczotki węglowe, jeśli ich długość została zmniejszona do długości mniejszej niż 9,5 mm oraz jeśli sprężyny zostały zużyte, bądź jest dostrzegany wyraźny spadek mocy silnika
- Wymiany należy dokonywać wyłącznie z nowymi częściami, zaś wymiany szczotek węglowych zawsze dokonywać w parze
- W celu inspekcji i wymiany szczotek węglowych, należy:
 1. Odkręcić zaślepki dostępu do szczotek węglowych (14) po obu stronach silnika
 2. Wyjąć szczotki i sprawdzić ich poziom zużycia
 3. W razie konieczności wymiany, zamontować nowe szczotki oraz przykręcić z powrotem zaślepki dostępu do szczotek

Wymiana pasa napędowego

- Niewłaściwe napięcie pasa napędowego spowoduje jego ślizganie. Luźny pasek musi zostać wymieniony

 1. Wylączyć urządzenie oraz odłączyć je od zasilania
 2. Zdjąć uchwyt korbowy (9), kolejno poluzować boczne wkręty mocujące panel (2) (zdjęcie I) tak, aby można było odsunąć panel boczny. Umożliwi to dostęp do paska napędowego (zdjęcie J)

3. Zdjąć górną pokrywę koła pasowego (zdjęcie K)
4. Usunąć stary pasek napędowy, poprzez przesuwanie go po dwóch krążkach. Następnie delikatnie pociągnąć na zewnątrz jednocześnie obracając koła pasowe (zdjęcie L)

Uwaga: Aby obrócić koła pasowe napędu, będzie konieczne trzymanie czarnego sprzęgającego się zatrzasku, tak aby koła nie zostały zablokowane w miejscu.

5. Zamontować nowy pasek napędowy poprzez przesuwanie go po kołach pasowych w odwrotny sposób niż przedstawiono wcześniej przy usuwaniu zużytego paska
6. Należy się upewnić, że pasek został równomiernie osadzony w rowkach kół pasowych
7. Zainstaluj ponownie boczny panel i uchwyt korbowy

Przechowywanie

- Należy przechowywać narzędzie w bezpiecznym, suchym miejscu niedostępnym dla dzieci

Kontakt

W celu uzyskania porady technicznej lub naprawy, skontaktuj się z infolinią pod numerem (+44) 1935 382 222

Strona: www.tritontools.com

Adres (GBR):

Toolstream Ltd.
Boundary Way
Lufton Trading Estate
Yeovil, Somerset
BA22 8HZ, Wielka Brytania

Adres (UE) :

Toolstream B.V.
Hogeweg 39
5301 LJ Zaltbommel
Holandia

Utylizacja

Należy zawsze przestrzegać przepisów krajowych dotyczących utylizacji elektronarzędzi, które nie są już funkcjonalne i nie nadają się do naprawy.

- Nie wyrzucaj elektronarzędzi lub innych odpadów elektrycznych i elektronicznych (WEEE) wraz z odpadami komunalnymi.
- Należy, zatem skontaktować się z lokalnymi władzami lub sprzedawcą w celu uzyskania informacji, co do prawidłowego sposobu utylizacji oleju.

Wykrywanie i usuwanie usterek

Problem	Możliwa przyczyna	Rozwiązanie
Przegrzanie silnika	Przeciążenie silnika	Należy zmniejszyć obciążenie silnika. Zaleca się wyłączyć maszynę i odczekać do wystygnięcia silnika
	Nadmierne nagromadzenie się kurzu spowodowało spadek cyrkulacji powietrza	Należy usunąć nagromadzony pył
Urata mocy	Zadziałał wyłącznik	Wyłączyć zasilanie sieciowe i nacisnąć wyłącznik resetujący
Częste uruchamianie się wyłącznika obwodu	Przeciążenie silnika	Należy zmniejszyć obciążenie silnika
	Nieodpowiednia zdolność wyłącznika obwodu	Zaleca się wymianę wyłącznika obwodu na odpowiedni
	Przeciążenie obwodu	Należy zmniejszyć obciążenie obwodu
	Tępe noże	Zaleca się naostrzenie bądź wymianę noży
Wydrążone cięcia w materiale	Nieodpowiednie wsparcie dla materiału	Należy zabezpieczyć materiał dodatkową platformą
	Tępe noże	Zaleca się wymianę noży
	Nierównomierna siła na głowicy tnącej	Należy delikatnie prowadzić materiał podczas strugania
	Obudowa wału nożowego (1) nie jest równoległa z blatem	Wyreguluj poziom blatu oraz wału nożowego poprawnie
	Materiał nie jest prawidłowo wycinany	Przyciąganie do siebie każdego elementu podczas przechodzenia przez strugarko-grubościówkę
Strugana powierzchnia jest nierówna	Tępe noże	Zaleca się wymianę noży
	Nierówne powierzchnie ze względu na wysoką wilgoć w drewnie	Należy użyć suchego drewna
	Poszarpana powierzchnia, ze względu na cięciu niezgodne z kierunkiem sło	Zmień kierunek obrabiania przedmiotu
	Cięcie są zbyt głębokie	Należy zmniejszyć głębokość cięcia
	Nierównomierna grubość po dwóch stronach materiału	Obudowa wału nożowego jest nierówna z podstawą strugarki. Dostosuj wyrównanie wału nożowego
Problem w regulacji wysokości obudowy wału nożowego	Włączona blokada obudowy wału nożowego	Zwolnij blokadę wału nożowego
	Zużyte wkręty mocujące panel	Należy wymienić wkręty mocujące
	Zabrudzone wkręty mocujące panel	Należy wyczyścić i nasmarować wkręty
	Obudowa wału nożowego nie jest równoległa z blatem	Dokonać ponownego ustawienia wału nożowego
	Nieodpowiednia zdolność wyłącznika obwodu	Wyczyścić i wyregulować obudowę wału nożowego

Gwarancja

W celu rejestracji gwarancji odwiedź naszą stronę internetową tritontools.com* i podaj odpowiednia dane.

Protokół zakupu

Data zakupu: ____ / ____ / ____

Model: TPT125

Należy zachować paragon jako dowód zakupu

Precyzyjne Elektronarzędzia Triton gwarantują nabywcy tego produktu pewność, iż w razie usterki bądź uszkodzenia z powodu wad materiałowych lub jakości wykonania, w ciągu 3 lat od daty zakupu, firma Triton naprawi bądź według własnego uznania bezpłatnie wymieni uszkodzoną część.

Powyższa gwarancja nie pokrywa szkód spowodowanych naturalnym zużyciem, nieprawidłowym użytkowaniem, nieprzestrzeganiem zaleceń obsługi, wypadkami lub wykorzystaniem urządzenia do celów komercyjnych.

* Zarejestruj swój produkt w ciągu 30 dni od daty zakupu.

Obowiązują zasady i warunki użytkowania.

Powyższe postanowienia nie mają wpływu na prawa ustawowe klienta.

Původní pokyny

Úvod

Děkujeme za zakoupení výrobku Triton. Tento návod obsahuje nezbytné informace pro bezpečné používání a správnou funkci tohoto výrobku. Tento výrobek nabízí mnoho jedinečných funkcí. Je možné, že jste již s podobným výrobkem pracovali; přesto si důkladně přečtěte tento návod, abyste rozuměli pokynům. Ujistěte se, že všichni, kdo s výrobkem pracují, tento návod četli a plně mu porozuměli. Uschovejte tyto pokyny spolu s výrobkem pro budoucí použití.

Použité symboly

Typový štítek na vašem nářadí může obsahovat symboly. Ty představují důležité informace o výrobku nebo pokyny k jeho použití.



Používejte chrániče sluchu
Používejte ochranné brýle
Používejte respirátory
Používejte ochrannou přilbu



Používejte ochranné rukavice



VAROVÁNÍ: Aby se snížilo riziko zranění, uživatel si musí přečíst návod k použití



Používejte ochranný oděv



Třída ochrany I (uzemnění)



Nepoužívejte při dešti nebo ve vlhkém prostředí!



VAROVÁNÍ: Pohyblivé části mohou způsobit úraz rozdrčením a řezná poranění.



Pozor na zpětný ráz!



Pouze pro použití vevnitř!



Ochrana životního prostředí

Nevyhazujte elektronářadí do domovního odpadu. Zařízení odevzdejte k recyklaci v recyklačním místě. V případě dotazů kontaktujte příslušný úřad nebo prodejce.



**VAROVÁNÍ
NEBEZPEČÍ PŘI ZVEDÁNÍ**

Pokud bude toto nářadí zvedat jedna osoba, může dojít ke zranění

Pro přesun nebo zvedání použijte pomoc

VAROVÁNÍ: Tento výrobek je těžký a doporučuje se, aby toto nářadí sestavili dva lidé.



V souladu s příslušnou legislativou a bezpečnostními standardy

Tabulka technických zkratk

V	volty
~	střídavý proud
A, mA	ampér, miliampér
n ₀	otáčky naprázdno
Ø	průměr
°	stupně
Hz	hertz
W, kW	watt, kilowatt
min ⁻¹	operace za minutu
cpm	řezy za minutu
dB(A)	hladina akustického tlaku v decibelech (vážená)
m/s ²	metry za sekundu ² (velikost vibrací)

Technická data

Model:	TPT125
Napětí:	220-240 V~, 50/60 Hz
Výkon:	1100 W
Řezy za minutu:	17500 cpm
Otáčky naprázdno:	8750 min ⁻¹
Výška hoblování:	3,2 – 152 mm
Šířka hoblování:	317 mm
Minimální délka pro hoblování:	380 mm
Velikost stolu:	317 x 597 mm
Rozměny portu pro odsávání pilin:	vnitřní: 48 mm vnější: 53 mm
Třída ochrany:	
Krytí:	IP20
Hmotnost:	22,2 kg
Vzhledem k nepřetřetímu vývoji výrobků Triton se technická data našich výrobků mohou měnit bez ohlášení.	

Informace o hluku a vibracích:	
Akustický tlak L_{PA} :	90,9 dB(A)
Akustický výkon L_{WA} :	103,9 dB(A)
Tolerance K:	3 dB(A)
Úroveň hluku pro obsluhu může překročit 85 dB(A) a proto je třeba přijmout ochranná hluková opatření.	

VAROVÁNÍ: Pokud hladina hluku přesáhne 85 dB(A), vždy noste chrániče sluchu a omezte dobu práce s elektronářadím. Pokud se hladina hluku stane nepříjemnou, i s chrániči sluchu, ihned přestaňte nářadí používat. Zkontrolujte, zda máte chrániče sluchu správně umístěné, aby mohly poskytovat potřebné snížení hladiny hluku, které elektronářadí vydává.

VAROVÁNÍ: Vystavení se vibracím elektronářadí může způsobit ztrátu vnímání dotyku, necitlivost rukou, mravenčení a omezenou schopnost úchopu. Dlouhodobé vystavení vibracím může obtíže změnit v chronický stav. Pokud je třeba, omezte čas, kdy jste vibracím vystaveni a používejte anti-vibrační rukavice. Elektronářadí nepoužívejte v prostředí s nižší než běžnou příjemnou teplotou, protože vibrace mohou mít větší účinek. Využijte hodnot uvedených v technických datech, abyste určili vhodnou délku a frekvenci práce s elektronářadím.

VAROVÁNÍ: Emise vibrací během skutečného používání elektronářadí se mohou lišit od deklarované celkové hodnoty v závislosti na způsobu použití nářadí. Je potřeba určit bezpečnostní opatření na ochranu obsluhu, která jsou založena na odhadu expozice ve skutečných podmínkách použití (s přihlédnutím ke všem částem provozního cyklu, jako jsou doby, kdy je nástroj vypnutý a kdy běží naprázdno kromě doby spouštění).

Deklarovaná celková hodnota vibrací byla naměřena v souladu se standardní zkušební metodou a lze ji použít pro srovnání jednoho nářadí s druhým. Deklarovanou celkovou hodnotu vibrací lze také použít při předběžném posouzení expozice.

Úroveň hluku byla změněna podle měřících metod mezinárodních standardů. Naměřené hodnoty odpovídají běžnému užití elektronářadí v běžných pracovních podmínkách. Špatně udržované, nesprávně složené nebo špatně používané nářadí může vytvářet vyšší hladiny hluku i vibrací. www.osha.europa.eu nabízí informace o úrovni hluku i vibrací v pracovním prostředí; tyto informace mohou být užitečné pro hobby uživatele, kteří používají nářadí po dlouhou dobu.

Obecná bezpečnostní opatření

VAROVÁNÍ: Když používáte elektronářadí, je třeba vždy dodržovat základní bezpečnostní opatření včetně následujících bezpečnostních pokynů, abyste minimalizovali riziko požáru, úraz elektrickým proudem a zranění osob. Přečtěte si všechna bezpečnostní varování před použitím tohoto nářadí a tento návod uschovejte pro budoucí použití.

VAROVÁNÍ: Toto nářadí není určeno pro použití osobami (včetně dětí) se sníženými fyzickými nebo mentálními schopnostmi nebo nedostatečnými zkušenostmi nebo znalostmi, pokud na ně nedohlíží osoba odpovědná za jejich bezpečnost nebo jim nebyla poskytnuta instrukce ohledně používání nářadí. Děti musí být pod dozorem, aby bylo zajištěno, že si s nářadím nebudou hrát.

POZOR: Používejte elektronářadí, příslušenství, bity atd. v souladu s těmito pokyny, s ohledem na pracovní podmínky a práci, kterou budete provádět. Použití elektronářadí k jiným než určeným činnostem může vést k nebezpečné situaci.

Výrazem "elektronářadí" zmiňovaným v bezpečnostních opatřeních se rozumí zařízení používané v elektrické síti (se síťovým kabelem) anebo zařízení, které využívá bateriový pohon (bez síťového kabelu).

- Udržujte pracovní místo čisté** – nepořádek v dílně nebo na pracovním stole může vést k úrazům
 - Zvažte, kde nářadí použijete**
 - Nevystavujte nářadí dešti
 - Nepoužívejte nářadí ve vlhkém nebo mokřém prostředí
 - Pracovní plochu mějte dobře osvětlenou
 - Nepoužívejte elektronářadí v prostředí ohroženém explozí, kde se nacházejí hořlavé kapaliny nebo plyny
 - Chraňte se před úrazem elektrickým proudem** - vyhněte se tělesnému kontaktu s uzemňovacími povrchy (jako je potrubí, topná tělesa, sporáky a chladničky)
 - Ostatní osoby by se měly nacházet v dostatečné vzdálenosti** – nenechte přihlízející osoby, zvláště děti, dotýkat se kabelů a udržujte je v dostatečné vzdálenosti od pracovního místa
 - Nepotřebné nářadí uklidte** – pokud nářadí nepoužíváte, mělo by být skladováno na suchém a uzamčeném místě, mimo dosah dětí
 - Na nářadí netlačte** – práci zvládne lépe a bezpečněji v rychlosti, která je doporučena
 - Používejte správné nářadí** – nepoužívejte malé nářadí na práci, kterou lépe zvládne výkonnější nářadí. Nářadí nepoužívejte na práci, pro kterou není určeno; např. nepoužívejte okružní pilu na řezání větvi nebo polen
 - Používejte vhodný oděv**
 - Noste žádný volný oděv nebo šperky, které mohou být zachyceny pohybujícími se díly
 - Pokud pracujete venku, noste vhodnou bezpečnostní ubru
 - Noste pokrývku hlavy, která schová dlouhé vlasy
 - Používejte ochranné pomůcky**
 - Používejte ochranné brýle
 - Používejte respirátor nebo masku proti prachu, pokud pracujete v prašném prostředí
- VAROVÁNÍ:** Nenošení ochranných pracovních pomůcek nebo vhodného oblečení může způsobit poranění nebo zvýšit pravděpodobnost úrazu.
- Připojte odsávací vybavení** – pokud je nářadí vybaveno připojením odsávacího systému nebo sběrným vybavením, ujistěte se, že je správně připojeno a používáno

11 **Dbejte na účel kabelu** - nepoužívejte jej k vytažení zástrčky ze zásuvky. Udržujte kabel daleko od tepla, oleje a ostrých hran. Poškozené nebo zapletené kabely zvyšují riziko zásahu elektrickým proudem

12 **Zabezpečte práci** - kdykoliv je to možné, používejte svěrky nebo svěrák pro držení materiálu. Je to bezpečnější, než materiál držet rukou

13 **Nenakláníjte se příliš** - stůjte ve správné poloze a vždy držte rovnováhu

14 **S nářadím zacházejte svědomitě**

- Rezné nástroje udržujte ostré a čisté - pečlivě ošetřované řezné nástroje s ostrými řeznými hranami se méně vzpíchnou a snadněji se vedou

- Dodržujte pokyny týkající se mazání a výměny příslušenství

- Pravidelně kontrolujte přívodní kabel, a pokud je poškozený, nechejte ho opravit v autorizovaném servisním centru

- Prodlužovací kabely pravidelně kontrolujte, a pokud jsou poškozené, vyměňte je

- Rukojeti udržujte suché, čisté a beze stop oleje nebo mastnoty

VAROVÁNÍ: Mnoho úrazů je způsobeno nářadím, se kterým není svědomitě zacházeno.

15 **Nářadí odpojujte ze sítě** - pokud nářadí nepoužíváte, při úpravách nebo výměně příslušenství jako jsou nože, bity a kotouče, nářadí vždy vypněte ze sítě

VAROVÁNÍ: Použití příslušenství, které není doporučeno výrobcem, může způsobit riziko poranění osob.

16 **Odstraňte seřizovací klíče** - vytvořte si zvyk, že před spuštěním nářadí vždy zkontrolujete, že jsou všechny seřizovací klíče a jiné nářadí z nářadí odstraněny

17 **Zabraňte neúmyslnému spuštění** - ujistěte se, že spínač je v poloze vypnuto, když nářadí zapínáte do sítě nebo vkládáte baterie, nebo když nářadí zvedáte nebo ho přenášáte

VAROVÁNÍ: Nezamýšlené spuštění nářadí může způsobit vážná poranění

18 **Používejte prodlužovací kabely určené pro použití venku** - pokud nářadí používáte v exteriéru, používejte pouze prodlužovací kabely určené a označené pro venkovní použití. Použití kabelu pro venkovní použití snižuje riziko úrazu elektrickým proudem

19 **Buďte pozorní**

- Dávejte pozor na to, co děláte, a přistupujte k práci s elektronářadím rozumně; pokud jste unavení, s nářadím nepracujte

- Nepoužívejte žádné elektronářadí, pokud jste pod vlivem drog, alkoholu nebo léků

VAROVÁNÍ: Moment nepozornosti při použití elektronářadí může vést k vážným poraněním.

20 **Kontrolujte poškozené díly**

- Před použitím nářadí byste ho měli důkladně prohlédnout, abyste se ujistili, že nářadí funguje správně a zvládně zamýšlený úkol

- Zkontrolujte vyrovnání pohyblivých částí, zachytávání pohyblivých částí, poškození jednotlivých dílů, upevnění a všechny další podmínky, které mohou ovlivnit provoz nářadí

- Ochranný kryt nebo jiné části, které jsou poškozeny, by měly být řádně opraveny nebo vyměněny v autorizovaném s ervisním středisku, pokud není uvedeno jinak v tomto návodu k obsluze

- Vadné spínače nechejte vyměnit v autorizovaném servisním středisku

VAROVÁNÍ: Nepoužívejte nářadí, pokud spínač nářadí nevypne a nezapne. Spínač musí být opraven, než nářadí budete používat.

21 **Používejte doporučené příslušenství** - doporučené příslušenství naleznete v návodu

VAROVÁNÍ: Použití jakéhokoli jiného příslušenství, než je doporučeno v tomto návodu, může představovat riziko zranění osob.

22 **Nechte vaše elektronářadí opravit pouze odborným personálem** - toto elektronářadí odpovídá příslušným bezpečnostním pravidlům. Opravy by měl provádět pouze odborník, jinak může dojít k ohrožení pracovníka

VAROVÁNÍ: Pokud se nářadí opravuje, používejte pouze identické náhradní díly.

VAROVÁNÍ: Pokud je přívodní kabel poškozen, musí být vyměněn výrobcem nebo autorizovaným servisním střediskem.

23 **Přípojovací zástrčka elektronářadí musí odpovídat zásuvce**

- zástrčka nesmí být žádným způsobem upravována. Společně s elektronářadím s ochranným uzemněním nepoužívejte žádné adaptérové zástrčky. Neupravené zástrčky a vhodné zásuvky snižují pravděpodobnost úrazu elektrickým proudem

24 **Pokud nářadí používáte v exteriéru, používejte proudový chránič (RCD)** - použití proudového chrániče snižuje riziko úrazu elektrickým proudem

25 **Pro použití v Austrálii a na Novém Zélandu doporučujeme, aby byl tento výrobek VŽDY dodáván společně s proudovým chráničem se zbytkovým proudem 30mA nebo méně**

26 **Používejte správný prodlužovací kabel. Ujistěte se, že je váš prodlužovací kabel v dobrém stavu. Při použití prodlužovacího kabelu se ujistěte, že používáte kabel s dostatečným průměrem, aby zvládl proud, který bude vaše nářadí odebírat.** Poddimenzovaný kabel způsobí pokles síťového napětí s následkem ztráty napájení a přehřátí. Tabulka A ukazuje správnou velikost pro použití v závislosti na délce kabelu a jmenovitém proudu. V případě pochybností použijte větší číslo AWG (Americal Wire Gauge) vodiče. Čím menší je číslo AWG, tím je menší je průřez vodiče

27 **Nikdy nenechávejte nářadí běžet bez dozoru. Vypněte napájení.** Nenechávejte nářadí bez dozoru, dokud se úplně nezastaví

Ani při předepsaném použití není možné eliminovat všechny zbytkové rizikové faktory. Používejte nářadí opatrně. Pokud si nejste jisti správným a bezpečným způsobem použití tohoto nářadí, nepokoušejte se jej používat.

⚠ VAROVÁNÍ: Před připojením nářadí k napájení (síťová zásuvka, průmyslová zásuvka atd.) se ujistěte, že napájecí napětí je stejné, jako je uvedeno na typovém štítku nářadí. Napájecí zdroj s vyšším napětím, než je uvedeno na nářadí, může vést k vážnému poranění uživatele a poškození nářadí. Máte-li pochybnosti, nepřipojujte nářadí. Použití napájecího zdroje s napětím nižším, než je uvedeno na štítku, poškozuje motor.

Tabulka A						
Proud		Volty	Celková délka kabelu v metrech			
		120	7,5	15	30,5	46
		240	15	30,5	61	92
Od	Do	Minimální AWG vodiče				
0	6	18	16	16	14	
6	10	18	16	14	12	
10	12	16	16	14	12	
12	16	14	12	nedoporučeno		

Bezpečnostní opatření pro řezné nářadí

⚠ VAROVÁNÍ: Před připojením nářadí k napájení (síťová zásuvka, průmyslová zásuvka atd.) se ujistěte, že napájecí napětí je stejné, jako je uvedeno na typovém štítku nářadí. Napájecí zdroj s vyšším napětím, než je uvedeno na nářadí, může vést k vážnému poranění uživatele a poškození nářadí. Máte-li pochybnosti, nepřipojujte nářadí. Použití napájecího zdroje s napětím nižším než je uvedeno na štítku poškozuje motor.

Používejte správné nářadí pro řezání

- Ujistěte se, že nářadí je vhodné pro zamýšlenou práci. Nepředpokládejte, že nářadí je vhodné, dokud si před použitím nepřečtete návod.

Chraňte si zrak

- Když používáte řezné nástroje, noste vždy vhodné ochranné brýle
- Brýle nejsou navrženy, aby poskytovaly ochranu očí při použití tohoto nářadí; běžná skla nejsou nárazu-odolná a mohou se roztržít

Chraňte si sluch

- Vždy noste vhodné chrániče sluchu, pokud hluk převyšuje 85 dB

Chraňte si dýchací cesty

- Ujistěte se, že vy a ostatní okolo vás nosíte vhodné respirátory

Chraňte své ruce

- Nepřibližujte ruce ke kotoučům či jiným řezným nástrojům. Používejte vhodné pomůcky pro posouvání materiálu, pokud pracujete s kratšími kusy

Uvědomte se osoby kolem sebe

- Je zodpovědností toho, kdo s nářadí pracuje, aby osoby, které stojí v okolí nářadí, nebyly vystaveny nebezpečnému hluku a prachu a nosily vhodné ochranné pomůcky

Skruté předměty

- Materiál zkontrolujte před řezáním – odstraňte všechny hřebíky a jiné předměty
- Nepokoušejte se přeřezat materiály, které obsahují skryté předměty, pokud si nejste jisti, že řezné příslušenství je pro to vhodné
- Stěny mohou skrývat kabeláž a potrubí, automobilové díly karoserie v sobě mohou skrývat palivové vedení a vysoká tráva může skrývat kameny a sklo. Pracovní plochu vždy důkladně zkontrolujte, než započnete práci

Dejte si pozor na odletující odpad

- V některých situacích může odpad odletovat vysokou rychlostí od nářadí. Je zodpovědností osoby obsluhující nářadí, že všichni v okolí jsou před odletujícím odpadem chráněni

Upevnění řezných nástrojů

- Ujistěte se, že řezné nástroje jsou správně a bezpečně upevněny a zkontrolujte, že všechny klíče jsou z nářadí před použitím odstraněny
- Používejte pouze řezné nástroje určené pro toto nářadí
- Nepokoušejte se řezné nástroje upravovat
- Ujistěte se, že řezný nástroj je ostrý, v dobrém stavu a správně uchycený
- Nepokoušejte se ostřit řezné nástroje, které nejsou určeny k opakovanému ostření – takové nástroje mohou mít speciálně tvrzené ostří, které je vyrobeno z tvrdých slitin obsahujících např. wolfram
- Řezné nástroje, které lze naostřit, by měly být naostřeny pouze podle pokynů výrobce těchto nástrojů. Ty mohou zahrnovat omezený počet případů, kdy lze řezný nástroj naostřit
- Naostřené nástroje by měly být před použitím důkladněji zkontrolovány a v případě jakýchkoli pochybností o jejich stavu a vhodnosti použití by měly být okamžitě vyměněny
- Pokud přijde ostří do kontaktu s materiálem, pro které není určeno, okamžitě ostří vyměňte

Směr podávání materiálu

- Materiál vždy podávejte do kotouče či řezného nástroje proti směru pohybu kotouče nebo řezného nástroje

Dávejte pozor na zahřívání nářadí i materiálu

- Nářadí i materiál se mohou během práce zahřát. Nástroje nemějte, dokud úplně nezchladnou

Kontrolujte prach/špony

- Nedovolte, aby se prach nebo špony napekly. Prach z řezání je hořlavý a některé kovové špony mohou způsobit výbuch
- Velmi opatrní buďte, pokud řezáte dřevo i kov. Jiskry vznikající při řezání kovu mohou snadno způsobit vzplanutí dřevěných pilin
- Kdekoli je to možné, použijte odsávací systém, abyste pracovali v bezpečnějším pracovním prostředí

Bezpečnostní opatření pro tloušťkovačky

VAROVÁNÍ: Nikdy nepoužívejte nářadí bez příslušného ochranného krytu nebo správně nastaveného krytu.

VAROVÁNÍ: Jakákoliv část nožového bloku, která není používána pro hoblování, musí být chráněna.

VAROVÁNÍ: Při hoblování úzkého materiálu mohou být pro zajištění bezpečné práce nutná další opatření, jako je použití horizontálních přítlačných nástrojů.

VAROVÁNÍ: Hoblovací nářadí by nemělo být používáno k řezání drážky, vybrání, čepů nebo tvarů.

- **Používejte vhodnou ochranu dýchacích orgánů:** *Použití tohoto nářadí může vytvářet prach obsahující chemikálie, o nichž je známo, že způsobují rakovinu, vrozené vady nebo jiné reprodukční poškození. Některé dřevy obsahují konzervační látky, jako je měďnatý arzenid chromu (CCA), který může být toxický. Při broušení, vrtání nebo řezání těchto materiálů je třeba dbát zvýšené opatrnosti, aby nedošlo k vdechnutí a minimalizovat kontakt s pokožkou.*
- **Používejte pouze ostré nože.** Manipulujte s ostřím velmi opatrně rukavicemi, které jsou odolné proti požezání.
- **VAROVÁNÍ:** Nepoužívejte tupé nože, protože to zvyšuje nebezpečí zpětného rázu.
- **Zajistěte, aby byly z pracovního prostoru odstraněny veškeré tkaniny, šňůry, hadry a podobné předměty.** Jejich odstraněním zabráníte zamotání do mechanismu nářadí
- **Před kontaktem s materiálem a zahájením řezání nechte nářadí dosáhnout plných otáček**
- **VŽDY nářadí VYPNĚTE a nechte nože zcela zastavit, než začnete provádět jakékoli seřizování, čištění nebo údržbu**
- **Vyměňte současně všechny nože, jinak vzniklá nerovnováha způsobí vibrace a zkrátí životnost stolní frézky a nožů**
- **Nepokoušejte se provádět řezné práce, které nejsou doporučeny výrobcem.** Zastavené řezy, výklenky, čepy, tvary nebo hoblování silně ohýbaného dřeva s tímto nářadím není povoleno
- **Nepoužívejte tloušťkovačku, pokud není upevněna na bezpečné pracovní ploše.** Bez dostatečného upevnění se tloušťkovačka může během provozu prudce pohnout, což může způsobit vážné zranění obsluhy
- **Během hoblování vždy držte pomůcku pro posun materiálu vedle stolu pro vstup materiálu.** Při hoblování krátkého materiálu by měla být použita pomůcka pro posun materiálu. Pokud je materiál v těsné blízkosti nože a je-li materiál menší než 75 mm, použijte pomůcku pro posun
- **Nepokoušejte se hoblovat nevhodně ohnuté materiály v případě nedostatečného kontaktu se stolem pro vstup materiálu**
- **Neprovádějte hoblování na materiálu kratším, než je rozměr rovný délce řezací hlavy plus 50 mm, užším než 19 mm nebo širším, než je kapacita tloušťkovačky v palcích nebo tenčí než 13 mm.**
- **Udržujte správné relace mezi plochami vstupního a výstupního stolu a dráhou nože řezné hlavy.**

- Po celou dobu práce materiál přiměřeně podepřete; je třeba mít práci neustále pod kontrolou.
- **Neposouvejte materiál zpět směrem k podávacímu stolu.**
- **Nepokoušejte se provádět abnormální nebo málo používané operace bez prostudování nebo bez použití adekvátních přídržacích/přítlačných bloků, přípravků, zářazek atd.**
- **Při přepravě nářadí se ujistěte, že jsou používány přepravní rukojeti (ne ovládací rukojeti) a že všechny zajišťovací mechanismy a kryty jsou bezpečně na svém místě**

Vyvarování se zpětnému rázu

Poznámka: Zpětný ráz nastane, když se řezné nářadí rychle zastaví, v důsledku toho, že je sevrené nebo nesprávně vyrovnané, a materiál se pohybuje zpět k obsluze. Také může dojít k tomu, že dojde ke vtážení rukou do ostří, čímž může dojít k závažnému poranění.

VAROVÁNÍ: Zpětný ráz je důsledkem nesprávného použití nářadí a/nebo nesprávných provozních postupů nebo podmínek, avšak pokud jsou učiněna bezpečnostní opatření, může obsluha ovládat sílu zpětného rázu nebo se mu vyhnout následujícím:

- NIKDY se nepokoušejte řezat s tupým nebo zkřiveným řezným nářadím.** VŽDY se ujistěte, že řezné nářadí je vhodné pro materiál, který chcete řezat.
- VŽDY se ujistěte, že podélný doraz/stůl je umístěn vodorovně s řezným nářadím.** Pokud bude podélný doraz/stůl směřovat k řeznému nářadí, může dojít ke kontaktu materiálu se zadní stranou řezného nářadí.
- Budte OPATRNÍ, když řezáte velké materiály.** Ujistěte se, že velký materiál je dobře podepřen jak na vstupu, tak na výstupu materiálu.
- NEŘEŽTE oblé materiály nebo materiál, který nemůže na stole ležet rovně.** Vyhněte se řezání zkroutčeného nebo sukovitého dřeva.
- NEŘEŽTE vlhké dřevo - při řezání vzniká větší tření.** Vlhké třísky se mohou na řezném nářadí zachycovat a tím dále zvyšují pravděpodobnost zpětného rázu.
- VŽDY materiál držte pevně oběma rukama a paže dejte do takové polohy, ve které můžete zachytit sílu zpětného rázu.**
- Držte se vždy stranou cesty řezného nářadí, nikdy nedávejte řezné nářadí do jedné přímky s vašim tělem.**
- NECOUVEJTE z řezu.** Pokud potřebuje řez přerušit před dokončením, vypněte nářadí, počkejte, dokud se řezné nářadí úplně nezastaví a pak materiál z nářadí vytáhněte.
- VŽDY používejte pomůcky pro posun materiálu tam, kde vedete materiál přes ostří.** Kdykoliv je to možné, přidržujte materiál pomocí přítlačných hřebců.

Popis dílů

1. Rotační válec
2. Upevňovací šrouby bočních panelů
3. Stupnice
4. Ukazatel
5. Odsávací hlavice
6. Imbusové šrouby odsávací hlavice
7. Upevňovací šroub kliky

8. Krytka kliky
9. Rukojeť kliky
10. Podávací stůl
11. Sítědový stůl
12. Resetovací tlačítko jističe
13. Spínač
14. Krytka uhlíků
15. Imbusový klíč
16. Imbusové šrouby krytu nožů
17. Kryt nožů
18. Otvory pro upevnění odsávací hlavice
19. Magnety

Doporučené použití

Elektrická tloušťkovačka, která se připevňuje na pracovní stůl, pro náročné hoblování desek z tvrdého i měkkého dřeva delšího než 380 mm (15"). Vhodná pro úpravu nerovného materiálu, vytváření hranolů dřeva pro tvorbu spojů a hoblování na požadovanou tloušťku tak, abyste mohli vytvářet desky pro různé projekty.

Vybalení vašeho nářadí

- Nářadí opatrně vybalte a zkontrolujte. Seznamte se se všemi jeho vlastnostmi a funkcemi
- Ujistěte se, že v balení byly všechny díly a že jsou v pořádku. Pokud nějaké díly chybí nebo jsou poškozené, před použitím nářadí tyto díly vyměňte

Před použitím

⚠ VAROVÁNÍ: Nářadí VŽDY vypojte ze sítě, pokud na něm děláte úpravy nastavení, kontrolu, údržbu nebo ho čistíte.

⚠ VAROVÁNÍ: VŽDY noste vhodné rukavice odolné proti proříznutí, když pracujete s rotačním válcem (1) a jeho částmi.

Upevnění na pracovní stůl

- Umístěte nářadí na pevný a plochý povrch tak, aby stůl byl vodorovně a nemohl se překlápět
 - Pokud budete tloušťkovačku používat pouze na jednom místě, doporučujeme, abyste ji připevnili k pevnému podkladu, jak je popsáno dále:
1. Využijte děr v základně tloušťkovačky (obr. A) jako šablony – vyznačte a vyvrtejte čtyři díry do místa, kam tloušťkovačku umístíte (např. pracovní stůl). K upevnění nářadí použijte velké šrouby, podložky a matice (nejsou součástí balení)
 2. Pokud budete tloušťkovačku využívat i jinde, připevněte ji k desce, kterou snadno svěrkami upevníte k různým povrchům
 3. Pokud používáte šrouby, ujistěte se, že jsou dostatečně dlouhé, aby prošly pracovním stolem/deskou a bylo je možno utáhnout maticemi

Upevnění kliky

Kliku (9) upevněte na pravou stranu tloušťkovačky (viz hlavní obrázek):

1. Našroubujte pružnou podložku na upevňovací šroub kliky (7)
2. Nasaďte kliku na šroub (obr. B)

3. Použijte upevňovací šroub kliky pro zajištění kliky ve správné pozici. Použijte imbusový klíč (15) pro utažení šroubu
4. Kliku zakončete krytkou kliky (8), abyste skryli šroub

Upevnění odsávací hlavice

Odsávací hlavice (5) může být upevněna k oběma stranám nářadí pro odsávání odpadu.

1. Pro připevnění odsávací hlavice k rotačnímu válci (1) použijte 2 imbusové šrouby odsávací hlavice (6) – ty připevněte do otvorů pro upevnění odsávací hlavice (18) – obr. C
2. Poté, co hlavici připevníte, připojte k hlavici hadici odsávacího systému
3. Před zapnutím nářadí zapněte odsávání

Kontrola vodorovnosti rotačního válce

- Rotační válec (1) je vyrovnaný a zkontrolován z výroby. Během přepravy však může dojít ke změně polohy válce
- Pokud rotační válec není vodorovný se středovým stolem (11), způsobí to zkosený řez – tloušťka materiálu na jedné straně bude jiná než tloušťka materiálu na druhé straně. Také to může vést k tomu, že hoblovací nůž se nebude opotřebovávat stejně
- Zkontrolujte, že nože jsou správně umístěny, tím, že provedete zkušební řez: protáhněte tloušťkovačku 2 kusy dřeva na obou stranách (vlevo a vpravo)
- Změřte a porovnejte výsledky, abyste se ujistili, že nože jsou správně nastavené anebo určili rozdíl, o který je potřeba nože nastavit jinak
- Pokud je nože třeba nastavit, podívejte se do části návodu „Údržba – nastavení rotačního válce“

Pokyny pro použití

⚠ VAROVÁNÍ: Nářadí VŽDY vypojte ze sítě, pokud na něm děláte úpravy nastavení, kontrolu, údržbu nebo ho čistíte.

⚠ VAROVÁNÍ: VŽDY noste vhodné rukavice odolné proti proříznutí, když pracujete s rotačním válcem (1) a jeho částmi.

Důležité pokyny pro bezpečné používání tohoto nářadí

- Nářadí odpojte ze sítě vždy, když měníte nastavení nebo vyměňujete nějaké díly
- Ujistěte se, že spínač je v poloze „vypnuto“ („OFF“), než nářadí připojíte do sítě
- Udržujte končetiny v bezpečné vzdálenosti od všech pohyblivých částí
- Používejte ochranné brýle a obličejový štít při použití tohoto nástroje
- Ujistěte se, že všechny volné části se mohou volně a bez překážek pohybovat
- Udržujte nože ostré, vyrovnané a řádně upevněné k řezné hlavě
- Nikdy nezapínejte nářadí s materiálem, který se dotýká nožů
- Kdykoliv tloušťkovačku nepoužíváte, vypněte ji a odpojte od napájení
- Udržujte tloušťkovačku v pořádku. Postupujte podle pokynů pro údržbu (viz "Údržba")

- Nikdy nepoužívejte tloušťkovačku pro děláni částečných řezů – dovoďte tloušťkovačce řezat po celé délce materiálu
- Nepoužívejte tloušťkovačku pro řezání plesnivého dřeva

Kapacita materiálu

- Materiál musí mít tyto minimální/maximální rozměry:
 - I. Minimální tloušťka: 3,2 mm
 - II. Minimální délka: 380 mm
 - III. Minimální šířka: 19 mm
 - IV. Maximální šířka: 317 mm
- Nepoužívejte slabé, přeschlé nebo poničené, sukovité dřevo, které by se při hoblování mohlo rozlomit a způsobit tak poškození hoblovacího mechanismu a motoru a způsobit zpětný ráz
- Ujistěte se, že ve dřevu nejsou hřebíky, sponky apod. Tyto předměty mohou způsobit závažné poškození nářadí. Představují velké bezpečnostní riziko a také mohou způsobit zpětný ráz
- Nehoblujte velmi zprohýbané nebo křivé dřevo, které se nedostatečně dotýká podávacího stolu
- Tato tloušťkovačka je určena pouze pro přírodní dřevo
- Před hoblováním odstaňte z materiálu lepidlo a cizí předměty
- Použijte celou šířku nožové hlavy, abyste předešli nerovnoměrnému opotřebením nožů

Nastavení výšky rotačního válce

- Rotační válec (1) obsahuje motor, nožovou hlavu s noži a podavač dovnitř a ven
- Otočte rukojeť kliky (9), abyste rotační válec zvedli nebo spustili. Jedna kompletní otočka klikou zvedá nebo spouští rotační válec o 1,58 mm
- Ukazatel (4) a stupnice (3) ukazují, v metrické i palcové stupnici, výšku nožové hlavy nad středovým stolem (11) – a to je přibližná tloušťka materiálu po hoblování
- Stupnice je kalibrována ve výrobě. Abyste dosáhli přesných výsledků, doporučujeme, abyste si rozměr přeměřili posuvným pravítkem nebo digitálním tloušťkoměrem před a po každém průchodu

Nastavení hloubky řezu

- Abyste chránili motor a nožovou hlavu, doporučená maximální hloubka řezu pro jeden průchod materiálu je následující:

Maximální hloubka řezu	
Šířka materiálu	Maximální hloubka řezu
Až do 125 mm	2,38 mm
Od 125 mm do 317 mm	1,6 mm

Nastavení hloubky řezu:

1. Změřte aktuální tloušťku materiálu a porovnejte ji s požadovanou tloušťkou
2. Podívejte se do výše uvedené tabulky "Maximální hloubka řezu" a určete, zda stačí jeden nebo je nutné dělat více průchodů
3. Pokud stačí pouze jeden průchod materiálu:
 - Použijte kliku pro pohyb rotačního válce (1) nahoru nebo dolů, dokud ukazatel (4) neukazuje požadovanou tloušťku materiálu na stupnici (3)
4. Pokud je zapotřebí více než jeden průchod materiálu:
 - a) Doporučuje se, abyste si rozdělili průchody na řezání přibližně stejné hloubky
 - b) Pro první a případně další průchody si nastavte výšku rotačního válce na aktuální tloušťku materiálu minus hloubku vypočtenou v kroku (a)
 - c) Zkontrolujte úbytek posuvným pravítkem nebo digitálním tloušťkoměrem po každém průchodu

Zapnutí a vypnutí

- Spínač (13) je umístěn na přední straně tloušťkovačky
- Pro zapnutí tloušťkovačky zmáčkněte zelené tlačítko ON (I)
- Pro vypnutí tloušťkovačky zmáčkněte červené tlačítko OFF (O)

Jistič

- Jistič je umístěn na levé straně od spínače (13)
- Pokud je zjištěn nadměrný elektrický proud, jistič vypne napájení kvůli ochraně motoru
- Před nahozením jističe zkontrolujte, že nedošlo ke zkratce nebo vadě na motoru, spínači a přívodu elektrické energie
- Chcete-li nahodit jistič:
 - o Stiskněte červené (O) tlačítko, abyste nářadí vypnuli
 - o Stiskněte resetovací tlačítko jističe (12)

Práce s tloušťkovačkou

VAROVÁNÍ: VŽDY noste vhodné ochranné pomůcky, včetně ochranných brýlí, chráničů sluchu a respirátorů, když pracujete s tímto nářadím.

- Pro dosažení nejlepších výsledků je třeba určit požadovanou hloubku řezu a konečnou tloušťku materiálu ještě před hoblováním. Vzhledem k tomu, že je omezena maximální hloubka řezu, může být třeba několik průchodů materiálu pro dosažení konečné tloušťky
- Obecně platí, že tenké řезы dávají lepší výsledky, pokud jde o hladkost a rovnost konečného povrchu, menší zpětný ráz, menší poškození a menší opotřebením nožové hlavy a motoru
- Chcete-li zabránit zpětnému rázu, nikdy nerežte hlouběji než o 2,4 mm na jeden průchod
- Je-li nutné materiál řezat více průchody, rotační válec (1) musí být ručně snižen před každým průchodem
- Vždy nastavte malou hloubku řezu, pokud řezáte tvrdé dřevo, široký materiál a materiál s nerovným povrchem
- Vyhněte se zachycení dřeva s mnoha nebo velkými suky nebo nadměrně zkrouceného dřeva
- Pokud je to nutné, opracujte nejdříve jednu stranu materiálu hoblíkem, abyste získali alespoň jeden plochy povrch před použitím tloušťkovačky

- Zhloubte obě strany materiálu odstraněním poloviny celkové hloubky z každé strany. Tak získáte dva hladké povrchy se stejnou vlhkostí a bude méně pravděpodobné, že se dřevo při vyschnutí zkroutí
- Než bude hoblovat materiál, udělejte si testovací řez na podobném materiálu, abyste si ověřili správné nastavení hloubky
- Vedte materiál po směru vláken, kdykoli je to možné
- Dlouhé nebo široké materiály vhodně podložte

1. Nastavte tloušťkovačku na požadovanou hloubku řezu (viz. výše Nastavení hloubky řezu)
2. Postavte se na stranu, kde je klika (9). Nikdy nestůjte přímo před materiálem, nikdo také nesmí stát ve směru nebo kolmo k rotaci nožů. Zpětný ráz nebo odletující třísky budou mířit tímto směrem
3. Položte materiál na podávací stůl (10) – strana, kterou budete hoblovat, míří nahoru
4. Zapněte nářadí a počkejte, dokud nedosáhne plné rychlosti
5. Materiál držte pevně, pomalu s ním pohybujte směrem k podavači

Poznámka: Nikdy nedávejte materiál do tloušťkovačky přes stůl pro výstup materiálu

6. Jakmile je materiál zachycen v podavači, přestaňte na něj tlačit. Podavač materiálem automaticky pohybuje směrem k nářadí
7. Netlačte na materiál při hoblování. Způsobí to přehřátí motoru
8. Pokud motor běží, držte ruce mimo ostří nožů i oblast, kde odlitávají třísky
9. Velké materiály podepřete při pohybu tloušťkovačkou, abyste materiál stabilizovali
10. Přesuňte se k zadní části tloušťkovačky, abyste si odebrali materiál. Za materiál netahejte, nechte pracovat válečky podavače
11. Pokud se materiál v tloušťkovače zasekne, vypněte nářadí, odpojte ho ze sítě, zvedněte rotační válec mimo materiál a **POČKEJTE, DOKUD SE NÁŘADÍ ÚPLNĚ NEZASTAVÍ**
12. Nikdy do nářadí nesahejte, když je v provozu nebo dobíhá
13. Používejte válečkové podavače nebo jinou podpěru, pokud pracujete s dlouhým materiálem
14. Abyste dosáhli přesných výsledků, doporučujeme, abyste si tloušťku materiálu přeměřili posuvným pravítkem nebo digitálním tloušťkoměrem před a po každém průchodu

Příslušenství

- U vašeho prodejce Triton je k dispozici řada příslušenství pro toto nářadí, včetně nožů pro tloušťkovačku
- Náhradní díly je možné zakoupit od prodejce Triton nebo online na www.toolsparsonline.com

Údržba

⚠ VAROVÁNÍ: Před připojením nebo výměnou jakéhokoli příslušenství nebo prováděním jakýchkoli úprav se ujistěte, že je nářadí odpojeno od napájení.

⚠ VAROVÁNÍ: VŽDY používejte při manipulaci s rotačním válcem (1) a jeho dílčích součástech vhodné ochranné rukavice odolné proti poružením.

Poznámka: Jakékoliv poškození tohoto nářadí by mělo být opraveno a důkladně prověřeno kvalifikovaným personálem před dalším použitím.

Poznámka: Pro opravy nářadí využijte kvalifikovanou osobu, která používá pouze originální náhradní díly. Jen tak zůstane zaručena bezpečnost elektrického nářadí.

- Toto nářadí je vyrobeno s použitím prvotřídních komponentů a využívá nejnovější inteligentní obvody, které chrání nářadí a jeho součástky. Při normálním používání by měly zajistit dlouhou životnost

Čištění a promazávání

- Udělte nářadí v čistotě. Špína a prach mohou způsobit, že se vnitřní části rychle opotřebují a zkrátí se tak životnost nářadí. Čistěte tělo vašeho nářadí měkkým kartáčem nebo suchým hadříkem. Pokud máte k dispozici čistý, suchý a stlačený vzduch, použijte ho pro profouknutí ventilačních otvorů
- Po použití vysajte tloušťkovačku kvůli odstranění dřevní štěpky, pilin a nečistot
- K odstranění pryskyřice a zbytků mastnoty použijte čisticí roztok (není součástí balení)
- Odstraňte piliny, štěpku a mastnotu z řetězů a převodů
- Ložiska v motoru a nožové hlavy jsou z výroby utěsněny a tak není vyžadováno žádné další mazání
- Čtyři součástky vyžadují pravidelné mazání:
 - o Vertikální šroubový mechanismus rotačního válce (x2)
 - o Západky rotačního válce
 - o Vertikální lišty rotačního válce (x4)
 - o Řetězový pohon podavače
- Odstraňte horní a oba boční panely pro přístup k těmto součástkám
- Před mazáním vyčistěte řetězový pohon. Pomocí oleje ve spreji (není součástí balení) promažte řetěz. Počkejte, než mazivo pronikne mezi články řetězu; poté povrch řetězu do sucha otřete
- Odstraňte všechny zbytky mastnoty z ostatních součástek pomocí odmašťovačů, je-li to nutné. Pak naneste vrstvu víceúčelového lubrikantu (není součástí balení)
- Pracovní stůl a prodloužení stolu mohou být potaženy velmi tenkou vrstvou mazacího vosku (není součástí balení) a chránit tak povrch od rzi; materiál se pak snadněji pohybuje směrem k nářadí

Vyrovnaní rotačního válce

- Zkontrolujte zarovnání nožů tím, že tloušťkovačkou protáhnete kus materiálu na každé straně (vlevo a vpravo)
- Změňte a porovnejte výsledky a zkontrolujte, zda jsou nože správně nastaveny anebo určete potřebnou změnu nastavení
- Chcete-li opravit špatné nastavení:

1. Vypněte tloušťkovačku a vypojte ji ze sítě
2. Opatrně tloušťkovačku položte na zadní stranu
3. Odstraňte šrouby na vodorovném vřetenu na straně, kde je klika (9) – obr. D

- Opatrně uvolněte převody (obr. E)
- Pomalou otáčejte klikou, abyste snížili nebo zvýšili polohu rotačního válce, abyste správně nastavili jeho polohu
- Otáčejte klikou dopředu nebo dozadu podle potřeby, abyste opravili nerovnost. Každé celé otočení klikou udělá úpravu o 1,5 mm
- Znovu upevněte převody a našroubujte šrouby na vodorovné vřeteně
- Opatrně tloušťkovačku postavte
- Proveďte zkušební řez, abyste se ujistili, že rotační válec je správně seřízen
- Celý postup opakujte, pokud jsou třeba další úpravy

Kontrola a výměna nožů

Kontrola nožů:

- Najděte kryt nožů (17) na zadní straně tloušťkovačky. Povolte a odstraňte imbusové šrouby krytu nožů (16) na jedné straně a zvedněte panel (obr. F)
- Vevnitř najdete nožovou hlavu a DVA ostré nože na nožové hlavě
- Aniž byste se dotkli nožů, opatrně otočte nožovou hlavou, dokud západka nezapadne do nožové hlavy
- Pomocí imbusového klíče (15) odstraňte šest šroubů na krytu nožů (obr. G)
- Pomocí dvou magnetů (19) opatrně odstraňte kryt nožů
- Potom pomocí magnetů odstraňte nože
- Zkontrolujte, zda nože vykazují známky opotřebení nebo poškození. Nůž, který je tupý, opotřebovaný, proříznutý nebo nerovnoměrně opotřebovaný, může mít za následek špatný výsledek, jako je vytrhávání vláken, nerovný řez, nerovný okraj apod.

Výměna nože:

Poznámka: Nože vždy vyměňujte jako pár

Poznámka: Nikdy nemíchejte nový nůž se starým nožem na nožové hlavě. Nikdy nemíchejte nože s různým stupněm opotřebení. Nikdy nepoužívejte nůž, kde je jedna strana více opotřebovaná než druhá a nikdy nepoužívejte jiný nož než nože určené výrobcem

- Použijte magnety (19) pro vyzvednutí a umístění nového nože na nožovou hlavu
- Umístěte nůž tak, aby seděl pevně na obou kolíčcích
- Pomocí magnetů přeneste kryt zpět na nože
- Znovu nasadte kryt tak, aby šest otvorů pro upevnění bylo vyrovnáno s otvory na nožové hlavě
- Utáhněte a zajistěte kryt šesti šrouby

Kontrola a výměna druhého nože:

- Chcete-li se dostat k druhému noži, opatrně vytáhněte a podržte západku na boku nožové hlavy, abyste ji uvolnili (obr. H)
- Jakmile se nožová hlava otáčí, uvolněte západku
- Aniž byste se dotkli nože, opatrně otočte nožovou hlavou, dokud západka nezapadne do nožové hlavy
- Opakujte postup pro výměnu nože pro kontrolu a výměnu druhého nože

Kontrola a výměna uhlíků

- Během času se uhlíky uvnitř motoru mohou opotřebovat
- Nadměrně opotřebované uhlíky mohou způsobovat ztrátu výkonu, občasné selhání nebo viditelné jiskření
- Životnost uhlíků se mění v závislosti na zatížení motoru. Doporučujeme kontrolu uhlíků po každých 100 hodinách provozu
- Vyměňte uhlíky, pokud je délka uhlíku méně než 9,5 mm, nebo v případě, že pružiny jsou opotřebované, nebo pokud jste si všimli ztráty výkonu motoru
- Vyměňte je pouze za nové díly a vždy vyměňte oba uhlíky
- Chcete-li zkontrolovat a vyměnit uhlíky:
 - Odšroubujte krytky uhlíků (14) na obou stranách motoru
 - Vyjměte uhlíky a zkontrolujte opotřebení
 - Vložte nové uhlíky v případě potřeby, a znovu připevněte krytky uhlíků

Výměna hnacího řemene

- Nedostatečné napnutí řemene způsobí, že řemen bude prokluzovat. Volný řemen musí být vyměněn
- Vypněte tloušťkovačku a vytáhněte zástrčku ze sítě
- Vyjměte kliku (9), pak povolte a odstraňte upevňovací šrouby bočních panelů (2) (obr. I), abyste mohli odstranit boční panel. Tak se dostanete k řemenovému pohonu (obr. J)
- Sejměte horní kryt řemenice (obr. K)
- Odstraňte starý řemen tak, že ho sundáte nejříve z jedné a pak druhé řemenice. Opatrně vytáhněte řemen směrem ven, zatímco současně otáčíte řemenici (obr. L)

Poznámka: Chcete-li pustit řemenice, musíte držet červenou západku, aby se řemenice mohly pohybovat.

- Na řemenice nasadte nový řemen v opačném pořadí, než jste starý řemen sundávali
- Ujistěte se, že řemen je rovnoměrně usazen v drážkách řemenice
- Nasadte a upevněte boční panel a kliku

Skladování

- Toto nářadí skladujte na zabezpečeném, suchém místě mimo dosah dětí

Kontakt

Pro technické dotazy nebo dotazy k opravám se obraťte na linku
(+44) 1935 382 222

Web: www.tritontools.com

Adresa ve Spojeném království:

Toolstream Ltd.
Boundary Way
Lufton Trading Estate
Yeovil, Somerset
BA22 8HZ, Spojené království

Adresa EU:

Toolstream B.V.
Hogeweg 39
5301 LJ Zaltbommel
Nizozemsko

Likvidace

Při likvidaci elektronářadí, které již není funkční a nelze jej opravit, vždy dodržujte národní předpisy.

- Nevyhazujte elektronářadí, baterie ani jiné odpadní elektrické a elektronické zařízení s domovním odpadem
- Informace o správném způsobu likvidace elektronářadí a baterií vám poskytne místní úřad pro likvidaci odpadu

Řešení problémů

Problém	Možná příčina	Řešení
Motor se přehřívá	Motor je přetížen	Snižte zátěž motoru. Vypněte nářadí a počkejte, dokud se nezchladí
	Prach se připekl a způsobil nižší cirkulaci vzduchu	Odstraňte napečený prach
Nejde elektřina	Vypnutí jističe	Vypněte síťový vypínač napájení a nahodte jistič
Časté vypínání proudového chrániče	Motor je přetížen	Snižte zátěž motoru
	Nedostatečný proudový chránič	Nahraďte ho správným proudovým chráničem
	Přetížení sítě	Snižte zatížení sítě
	Nože jsou tupé	Naostřete nebo vyměňte nože
Materiál se nepohybuje	Nedostatečná podpora materiálu	Dlouhý materiál dodatečně podepřete
	Nože jsou tupé	Vyměňte nože
	Nerovnoměrný tlak na řeznou hlavu	Materiál během řezání jemně tlačte
	Rotační válec (1) není vodorovný se stolem	Nastavte stůl a rotační válec do vodorovné polohy
	Materiál není správně zachycen	Zkontrolujte, že materiál prochází tloušťkovačkou
Hoblovaný povrch není hladký	Nože jsou tupé	Vyměňte nože
	Díky vysokému obsahu vlhkosti ve dřevě se vlákna třepí	Použijte vyschlé dřevo
	Vytrhávání vláken kvůli hoblování proti směru vláken	Změňte směr hoblování a hoblujte po směru vláken
	Řez je příliš hluboký	Snižte hloubku řezu
	Nerovnoměrná tloušťka materiálu	Rotační hlava není ve vodorovné poloze se základnou tloušťkovačky. Přenastavte rotační válec
Problémy s nastavením výšky rotačního válce	Zámek rotačního válce je zamčený	Uvolněte zámek rotačního válce
	Opatřebované šrouby stupnice	Vyměňte šrouby stupnice
	Špinavé šrouby stupnice	Vyčistěte a promažte šrouby stupnice
	Rotační válec není vodorovný se stolem	Nastavte stůl a rotační válec do vodorovné polohy
	Zbytky materiálu mezi rotační hlavou a bočními panely	Vyčistěte a upravte rotační hlavu

Záruka

Pro registraci záruky navštivte naši webovou stránku na adrese tritontools.com* a zadejte své údaje.

Záznam o nákupu

Datum nákupu: ___/___/___

Model: TPT125

Uschovejte si účtenku jako doklad o nákupu.

Triton Precision Power Tools zaručuje kupujícímu tohoto produktu, že pokud se některý díl projeví jako vadný v důsledku vadného materiálu nebo zpracování do 3 LET od data původního nákupu, Triton opraví nebo dle svého uvážení vymění vadný díl zdarma.

Tato záruka se nevztahuje na komerční použití ani se nevztahuje na běžné opotřebení nebo poškození v důsledku nehody, zneužití nebo nesprávného použití.

* Zaregistrujte se online do 30 dnů.

Platí smluvní podmínky.

Tím nejsou dotčena vaše zákonná práva.

