

JWDS-1632

DRUM SANDER

ZYLINDERSCHLEIFMASCHINE

PONCEUSE À CYLINDRE RÀ CYLINDRE



www.promac.fr



GB - ENGLISH

OPERATING INSTRUCTIONS

Dear Customer,

Many thanks for the confidence you have shown in us with the purchase of your new TOOL FRANCE machine. This manual has been prepared for the owner and operators of a TOOL FRANCE JWDS-1632 drum sander to promote safety during installation, operation and maintenance procedures. Please read and understand the information contained in these operating instructions and the accompanying documents. To obtain maximum life and efficiency from your machine, and to use the machine safely, read this manual thoroughly and follow instructions carefully.

1. Declaration of conformity

On our own responsibility we hereby declare that this product complies with the regulations* listed on page 2. Designed in consideration with the standards**.

2. Warranty

TOOL FRANCE guarantees that the supplied product(s) is/are free from material defects and manufacturing faults.

This warranty does not cover any defects which are caused, either directly or indirectly, by incorrect use, carelessness, damage due to accidents, repairs or inadequate maintenance or cleaning as well as normal wear and tear.

Further details on warranty (e.g. warranty period) can be found in the General Terms and Conditions (GTC) that are an integral part of the contract.

These GTC may be viewed on the website of your dealer or sent to you upon request.

TOOL FRANCE reserves the right to make changes to the product and accessories at any time.

3. Safety

3.1 Authorized use

This drum sander is designed for sanding wood and similar materials only. Sanding of other materials is not permitted and may be carried out in specific cases only after consulting with the manufacturer.

The machine is not suitable for wet sanding.

The proper use also includes compliance with the operating and maintenance instructions given in this manual.

The machine must be operated only by persons familiar with its operation and maintenance and who are familiar with its hazards.

The required minimum age must be observed.

The machine must only be used in a technically perfect condition.

When working on the machine, all safety mechanisms and covers must be mounted.

In addition to the safety requirements contained in these operating instructions and your country's applicable regulations, you should observe the generally recognized technical rules concerning the operation of woodworking machines.

Any other use exceeds authorization.

In the event of unauthorized use of the machine, the manufacturer renounces all liability and the responsibility is transferred exclusively to the operator.

3.3 General safety notes

Woodworking machines can be dangerous if not used properly. Therefore the appropriate general technical rules as well as the following notes must be observed.

Read and understand the entire instruction manual before attempting assembly or operation.



Keep this operating instruction close by the machine, protected from dirt and humidity, and pass it over to the new owner if you part with the tool.

No changes to the machine may be made.

Daily inspect the function and existence of the safety appliances before you start the machine.

Do not attempt operation in this case, protect the machine by unplugging the power cord.

Before operating the machine, remove tie, rings, watches, other jewellery, and roll up sleeves above the elbows.

Remove all loose clothing and confine long hair.

Wear safety shoes; never wear leisure shoes or sandals.

Always wear the approved working outfit:

- eye protection
- expiratory protection



Do not wear loose clothes and gloves while operating this machine.

Install the machine so that there is sufficient space for safe operation and workpiece handling.

Keep work area well lighted.

The machine is designed to operate in closed rooms and must be bolted stable on firm and levelled table surface or on the supplied cabinet stand.

Make sure that the power cord does not impede work and cause people to trip.

Keep the floor around the machine clean and free of scrap material, oil and grease.

Stay alert!

Give your work undivided attention.

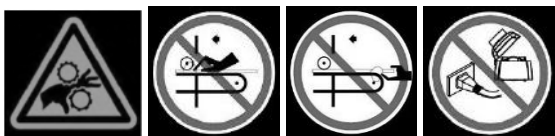
Use common sense. Do not operate the machine when you are tired.

Keep an ergonomic body position.

Maintain a balanced stance at all times.

Do not operate the machine under the influence of drugs, alcohol or any medication. Be aware that medication can change your behavior.

Never reach into the machine while it is operating or running down.



Always close the drum cover before you start the machine.

Keep your hands distant to drum housing and conveyor belt when feeding the work piece.

Keep children and visitors a safe distance from the work area.

Never leave a running machine unattended. Before you leave the workplace switch off the machine.

Do not operate the electric tool near inflammable liquids or gases.

Observe the fire fighting and fire alert options, for example the fire extinguisher operation and place.

Do not use the machine in a damp environment and do not expose it to rain.

Sanding dust is explosive and can also represent a risk to health.

Always use a suitable dust extraction device.

Before machining, remove any nails and other foreign bodies from the workpiece.

Work only with well sharpened tools.

Machine only stock which rests securely on the table. Always close the chuck cover before you start the machine.

Specifications regarding the maximum or minimum size of the workpiece must be observed.

Do not remove chips and workpiece parts until the machine is at a standstill.

Do not stand on the machine.

Connection and repair work on the electrical installation may be carried out by a qualified electrician only.

Have a damaged or worn power cord replaced immediately.

Make all machine adjustments or maintenance with the machine unplugged from the power source.



Protect the environment.

Your appliance contains valuable materials which can be recovered or recycled. Please leave it at a specialized institution.



This symbol indicates separate collection for electrical and electronic equipment required under the WEEE Directive (Directive 2012/19/EC) and is effective only within the European Union.

3.3 Remaining hazards

When using the machine according to regulations some remaining hazards may still exist.

The moving sanding sleeve can cause injury.

Risk of kickback. The workpiece is caught by the moving sanding sleeve and thrown back to the operator.

Thrown workpiece parts can lead to injury.

Sanding dust and noise can be health hazards. Be sure to wear personal protection gear such as safety goggles and dust mask. Use a suitable dust exhaust system.

Defective sanding discs can cause injuries.

The use of incorrect mains supply or a damaged power cord can lead to injuries caused by electricity.

3.4 Labels and positions

A: Safety warning

B: Sanding drum & Conveyor belt running direction

C: Loosen table lock before adjusting table parallel



Fig.A



Fig.B



Fig.C

4.0 Specifications

Model number

JWDS-1632

Stock numbers:

Sander with open stand

723520KM

Open stand only

723520S

Motor and electricals:

Drum motor:

Motor type	induction motor
Horsepower	1.1kW (1.5 HP)
Voltage	~230V, PE, 50Hz
Listed FLA (full load amps)	7.1 A
Motor speed	1400 /min
Starting amps	25 A
Running amps (no load)	4.5 A
Start capacitor	300µF 125VAC
Running capacitor	n/a

Conveyor motor:

Motor type	totally enclosed DC motor
Horsepower	40W
Motor speed	54 /min
Power Switch	magnetic switch
On/off switch	rocker switch
Power cord	H05RN-F, 3x1.0mm ² , 1830 mm
Recommended circuit and fuse/breaker size ¹	16A
Sound emission ²	65 dB idling; 80 dB in operation Acoustic pressure level (EN ISO 11202)

Capacities:

Maximum board width (single pass)	406 mm
Maximum board width (two passes)	812 mm
Maximum board thickness	75 mm
Minimum board length	60 mm
Minimum board thickness ³	0.8 mm

Main materials:

Open stand	steel
Drum	extruded aluminum
Extension tables (optional)	steel
Conveyor table	steel
Drum height adjustment handle	plastic

Sanding drum:

Drum dimensions	dia. 127 x 406 mm
Drum speed	1400 /min
Sanding paper installed	80 grit
Drum elevation per one rotation of handwheel	1.6 mm

¹ Subject to local/national electrical codes.

² The specified values are emission levels and are not necessarily to be seen as safe operating levels.

As workplace conditions vary, this information is intended to allow the user to make a better estimation of the hazards and risks involved only.

³ Use of a carrier or backer board (not provided) is recommended for cuts 1.6mm or less. See sect. 9.3.

4.0 Specifications

Conveyor:

Conveyor speed	infinitely variable within 0-3 m/min
Conveyor table dimensions	456 x 420 mm
Conveyor height from floor	812 mm

Dust collection:

Dust port outside diameter	100mm
Minimum extraction volume required	560m ³ /h

Dimensions:

Shipping carton, base machine	985 x 570 x 510 mm
Shipping carton, open stand	860 x 415 x 120 mm
Assembled dimensions	508 x 1269 x 1007 mm

Weights:

Net weight	71 kg
Shipping weight	83 kg

The specifications in this manual were current at time of publication, but because of our policy of continuous improvement, TOOL FRANCE reserves the right to change specifications at any time and without prior notice, without incurring obligations.

5.0 Features and Terminology

The illustration below shows the major components and features of the JWDS-1632 Sander. These are referenced throughout the manual and will help to familiarize you with the operation and functions of the machine.

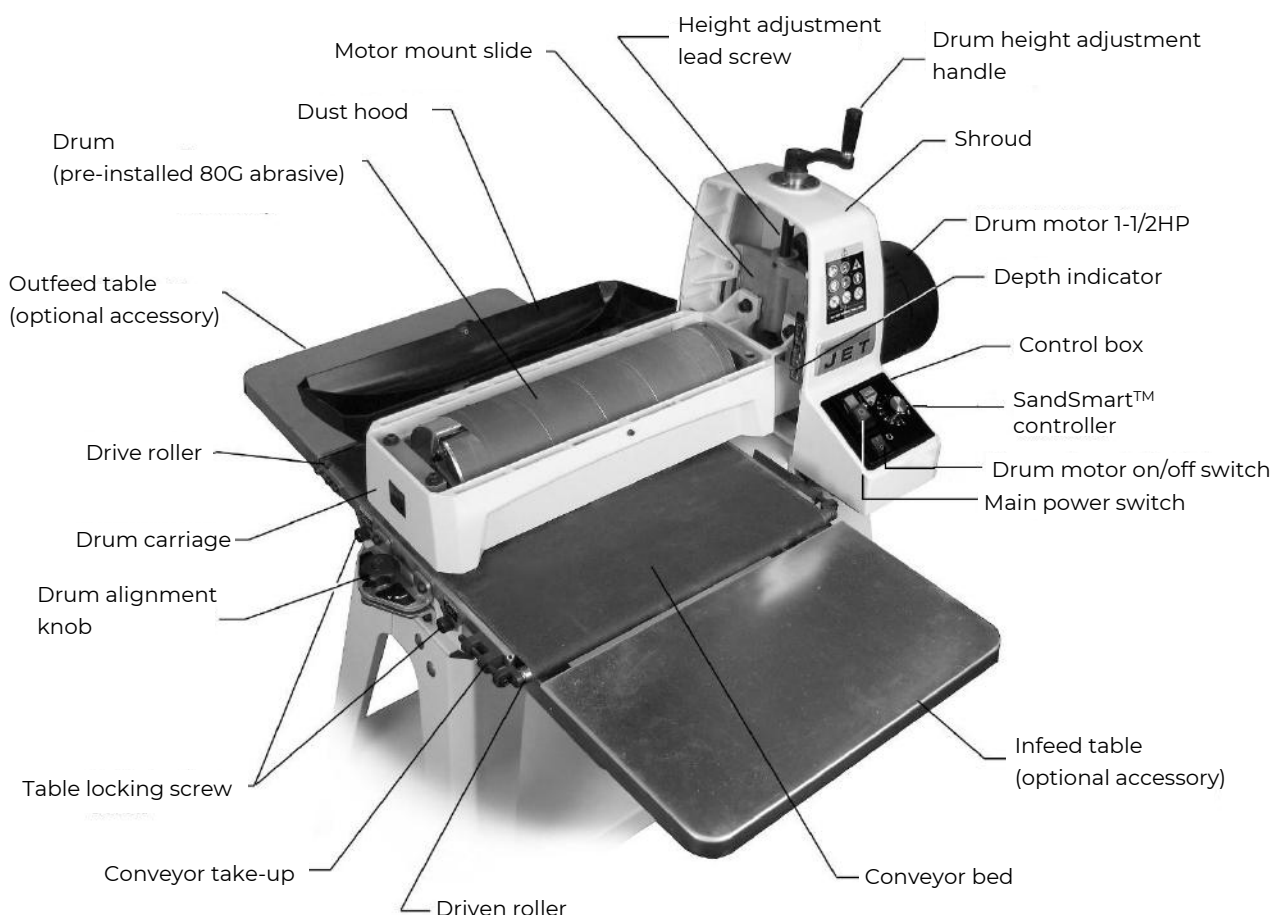


Figure 5-1

6.0 Setup and assembly

Open boxes and check for shipping damage. Report any damage immediately to your distributor and shipping agent. Do not discard any shipping material until the Drum Sander is assembled and running properly.

Compare the contents of your boxes with the following parts list to make sure all parts are intact. Any missing parts should be reported to your distributor. Read this instruction manual thoroughly for assembly, maintenance and safety instructions.

6.1 Shipping contents

Box #1: (see Figure 6-1)

- 1 Sander with conveyor table (A)
- 1 Handle (B)
- 1 Instruction manual (not shown)
- 1 Spare parts list (not shown)

Box #2: (see Figure 6-2)

Stand assembly including:

- 1 Shelf (C)
- 2 Short rails (D)
- 2 Long rails (E)
- 4 Legs (F)
- 4 Leveling feet (G)
- 8 Flat washers (H)
- 4 Hex nuts (I)
- 24 Carriage Bolts, M8x16 (J)
- 24 Flanged Lock Nuts, M8 (K)

6.2 Tools required for assembly

12mm and 14mm wrenches
 3mm and 6mm hex wrenches
 Straight edge
 (such as straight steel bar or carefully jointed board)

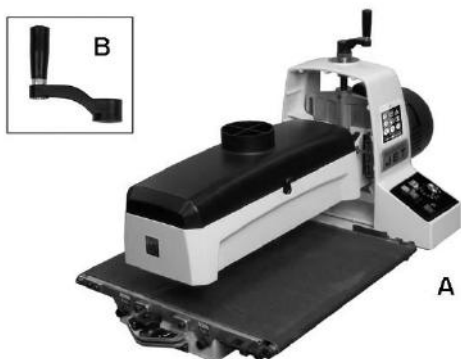


Figure 6-1: box #1 (main unit)

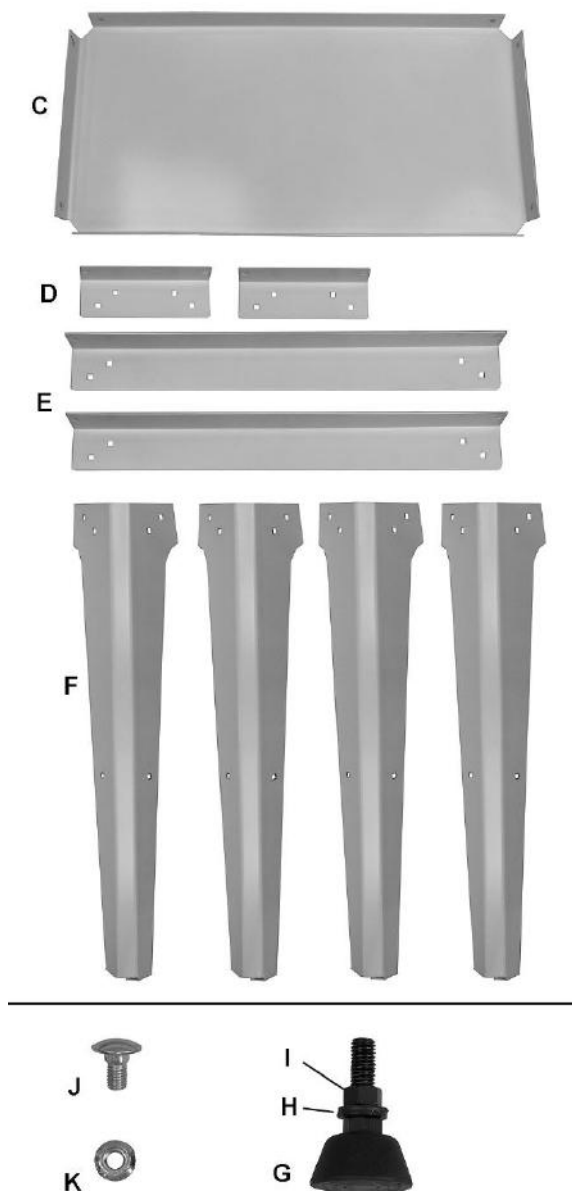


Figure 6-2: box #2 (stand assembly)

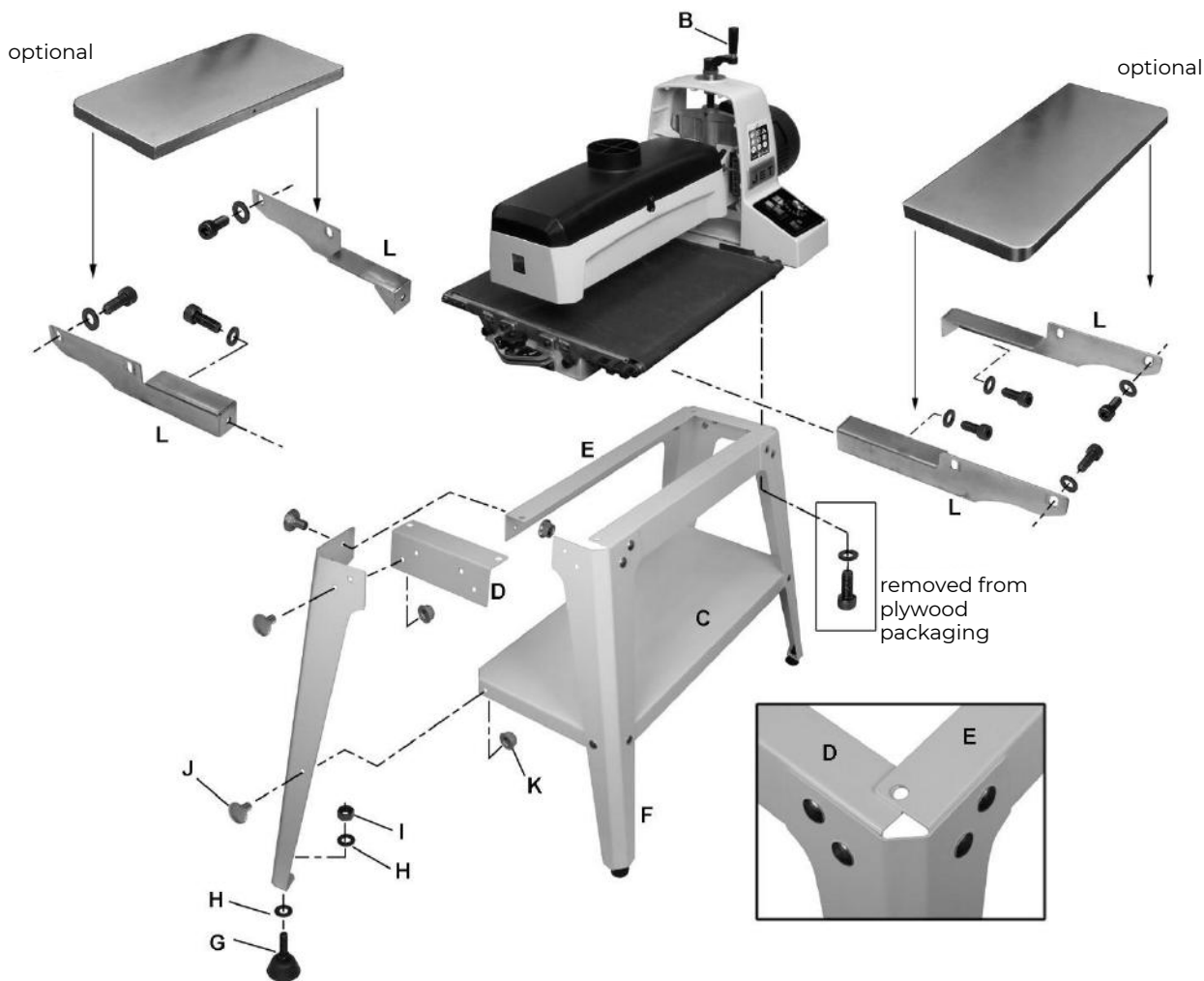


Figure 6-3: Assembly

6.3 Assembling stand

(Refer to Figure 6-3. If further clarification is needed, consult parts breakdown at back of this manual.)

1. Assemble legs (F) to outside of Short Rails (D) using carriage bolts (J) and flanged lock nuts (K). Finger tighten only.
2. Assemble Long Rail (E) on inside of legs and on top of Short Rails (D). Finger tighten only.
NOTE: Flange of Long Rail overlaps flange of Short Rail.
See inset, Figure 6-3.
3. Turn stand upside down. Install shelf (C) into legs using carriage bolts and lock nuts.
4. Fully tighten all flanged lock nuts in shelf and legs.
5. Insert leveling foot (G) into bottom hole of leg with flat washers and hex nut.
6. Turn stand right-side up, and push down on it to settle it. Tighten all flanged lock nuts on stand.
7. Level the stand using the leveling feet. Tighten the hex nuts against the leg flange.

6.4 Mounting sander to stand

1. Lift drum head assembly out of the box, and temporarily rest it crosswise on top of stand.



WARNING
Use an assistant to help lift the sander.

2. Install height adjustment handle (B), and tighten set screw.
3. Rotate height adjustment handle counter-clockwise to raise drum and free the wood support block.
4. Remove the socket head cap screws and washers which secure the plywood boards to the bottom of sander base. Retain these screws and washers for step 6.
5. Position sander atop stand so that the four threaded holes of base align with holes in the stand rails (Figure 6).
6. Fasten base to stand (from beneath) with the four screws and washers that you removed from the plywood boards. Tighten screws securely.

6.5 Infeed and outfeed tables (optional accessory)

The sander must be bolted to the stand or a work table when using these table extensions. Maximum working load of each table is 16kg. Fasteners are provided with the extension tables.

1. Install infeed and outfeed brackets (L, Figure 6-3) to the threaded holes in sander base with M8x16 socket head cap screws and flat washers. Make sure left and right brackets are oriented as shown. The brackets should be flush against the base.

NOTE: Long brackets mount to front (infeed); short brackets to rear (outfeed).

2. Place extension tables over brackets and secure with M8x12 socket head cap screws and washers.
Finger tighten only.
3. Position tables slightly below conveyor belt surface for proper support of stock. To check position, place a straight-edge on one side of conveyor table under drum and extending out over the extension table. Lower drum to securely hold straight-edge in place. See Figure 6-4. Raise infeed/outfeed table until table surface is slightly below conveyor belt surface. Tighten screws on that side.
4. Reposition straight-edge to other side of table and repeat.

If stock being sanded is bowed, warped or otherwise inconsistent, be sure tables are lower than top of conveyor table.

If stock slips on conveyor, the tables may be positioned too high. Lower tables to allow stock to remain in contact with conveyor.



Figure 6-4: extension table alignment

6.6 Dust collection

Dust collection is mandatory for a safe work environment and extended abrasive life.

The JWDS-1632 is equipped with a 100mm dust collection port. Secure a 100mm dust collection hose to the port with a hose clamp (Figure 6-5), and connect to a high volume dust collector (minimum 560m³/h).



Figure 6-5 (hose and clamp not included)

6.7 Installing abrasives

Proper attachment of the abrasive strip to the drum is critical to achieving top performance from your drum sander. An 80-grit, 76mm wide abrasive strip is pre-installed on the drum.

(TIP: If you are using an after-market abrasive, use a new TOOL FRANCE supplied abrasive as a template to quickly cut a new strip. Press fastener lever (Figure 6-7) on outboard (left) end of drum, and insert tapered end of abrasive through slit in fastener, as shown. Insert approximately 75mm of abrasive strip into fastener. Align tapered edge of abrasive strip with left edge of drum.



Figure 6-7

1. Release fastener lever to secure end of strip.
2. Begin wrapping abrasive around drum. The tapered edge of strip end should follow as close as possible to edge of drum.
3. Continue to wrap abrasive in spiral fashion by rotating drum with one hand and guiding strip with the other. See Figure 6-8. Successive windings of strip must *not have any overlap*. They should be flush with previous windings or with a slight gap between.



Figure 6-8

4. Press inboard take-up lever (Figure 6-9) and insert trailing end of strip as far as it will go. If necessary, trim tapered end of abrasive strip.
5. Release inboard take-up lever to secure strip.

All abrasive strips will stretch over time as they are used, and may stretch enough to allow the take-up lever to reach its lowest position so that it cannot maintain tension on the strip. If this occurs, follow the above procedures to reset the take-up lever.

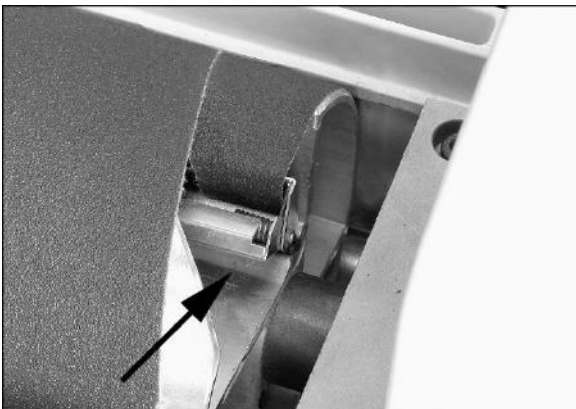


Figure 6-9

7.0 Electrical connections

⚠WARNING

All electrical connections must be done by a qualified electrician in compliance with all local codes and ordinances. Failure to comply may result in serious injury.

The JWDS-1632 Sander is rated at 230V power. The sander comes with a plug designed for use on a circuit with a *grounded outlet*

Before connecting to power source, be sure switch is in *off* position.

It is recommended that the sander be connected to a dedicated 16 amp circuit with circuit breaker or fuse. If connected to a circuit protected by fuses, use time delay fuse marked "T". Local codes take precedence over recommendations.

8.0 Adjustments

⚠WARNING

Disconnect sander from power source before making adjustments.

8.1 Drum Height Control

Drum height and depth of cut are controlled by height adjustment handle (see Figure 5-1). Rotating handle clockwise lowers drum, counterclockwise raises it. One revolution of handle will move drum approximately 1.6mm (or 1/4 turn = approx. 0.4mm), as shown on the label below handle.

8.2 Depth scale

The depth scale indicates distance between bottom of sanding drum and top of conveyor belt.

Adjustment is performed by "zeroing" the scale.

1. Unplug sander from power source.
2. With an abrasive strip on drum, lower drum to where it touches top of conveyor belt.
3. At this drum position, the depth scale pointer should align with zero mark on scale. If it does not, loosen two screws (Figure 8-1) and raise or lower scale until zero aligns with the pointer.
4. Retighten screws.

Note: Depending on desired accuracy, you may need to repeat this process when installing different abrasive grits.



Figure 8-1: depth scale adjustment

8.3 Conveyor belt tension/tracking

Conveyor belt tension adjustment may be necessary during the break-in period to compensate for belt stretching.

8.3.1 Belt tension adjustment

1. Unplug sander from power source.

2. Adjust take-up screw nuts (Figure 8-2) with 5mm hex wrench. Do this on both sides of conveyor to obtain approximately equal tension on both sides of sanding belt when taut.

NOTE: Insufficient belt tension will cause slippage of conveyor belt on drive roller during sanding operation.

The conveyor belt is too loose if it can be stopped by hand pressure applied directly to top of moving conveyor belt. Excessive belt tension can result in bent rollers, bent brackets, and/or premature wearing of bushings or conveyor belt.

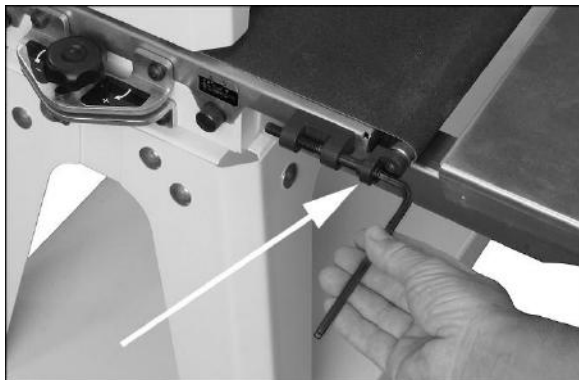


Figure 8-2: belt tension adjustment

8.3.2 Tracking adjustment

A belt tracks correctly when it moves centrally on the conveyor rollers without drifting to either side. Tracking adjustments are made while conveyor belt is running.

1. Unplug sander from power source.
2. Make sure proper belt tension has been achieved (see sect. 8.3.1).
3. Turn on conveyor and set to maximum speed. Watch for tendency of conveyor belt to drift to one side of conveyor. If it drifts, tighten or loosen take-up screw.

Note: Adjust take-up screw only 1/4 turn at a time. Allow time for belt to react to adjustments before proceeding further.

Try to avoid over adjustments, as this may affect belt tension. If tension is affected, it may become necessary to use both take-up screws to accomplish tensioning and tracking.

8.3.3 Trackers

The sander comes equipped with "Trackers", ceramic guides that reduce the amount of adjustments needed to keep conveyor belt tracked (centered) on conveyor table.

These guides have a magnetic backing to keep them in place. If a Tracker wears through, it can be reversed by turning it over. See sect. 11.0 *Tracker Kit* for more information about re-setting trackers.

8.4 Inspecting drum alignment

The sanding drum must be parallel to conveyor table for proper machine operation. The sanding drum comes pre-aligned from the manufacturer. If a problem with drum alignment should occur, follow the instructions below.

First, inspect the alignment with a gauge of some kind. The following procedure uses a steel straight-edge as a gauge.

1. Unplug sander from power source.
2. Open dust cover and remove abrasive strip from drum.
3. Insert gauge between drum and conveyor table at outboard side of drum (A, Figure 8-3).

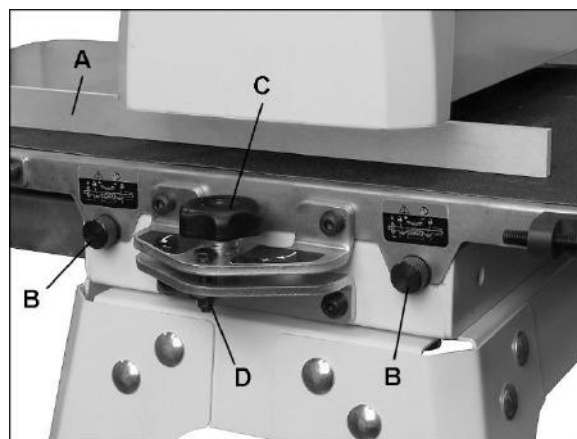


Figure 8-3: drum alignment

4. With dust cover open, lower sanding drum while slowly rotating drum by hand, until drum lightly contacts gauge.

NOTE: Make sure drum contacts gauge, not just the tension rollers.

5. Remove gauge and place under drum at inboard side.
6. If drum does not contact gauge equally on both ends of drum, alignment is needed.

To align conveyor table with drum:

7. Loosen both table locking screws (B, Figure 8-3)

CAUTION

Loosen both table locks before adjusting drum alignment.

8. Turn knob (C) to raise or lower outboard end of table. Follow directional marks on label (+ raises, - lowers).
9. Retighten table lock screws (B).

8.4.1 Fine-tuning drum alignment

Note: This is an operational test for sanding boards wider than the drum. Perform this procedure only after you have become familiar with sander operation.

When sanding boards wider than the drum, table alignment is critical and table must be adjusted exactly level to slightly lower on the outboard end. This will prevent any ridges from developing in the stock. Always check this on a piece of scrap wood, as follows, before sanding the work piece.

1. Run a piece of scrap wood approximately 150mm wide by 700mm to 1000mm long through the sander sideways so that end of board extends past outboard side of drum.
2. Without changing drum height, rotate board 180° and sand the same side.
3. If a ridge is visible where the drum overlaps, lower table at outboard end slightly by turning knob (C, Figure 8-3).
4. Repeat this process until the ridge is eliminated and entire board is sanded.

Note: When sanding narrow stock (less than 406mm), return conveyor table to parallel position. Turn knob opposite direction until lock nut (D, Figure 8-3) is contacted. The lock nut provides a positive stop for table parallelism.

8.5 Tension roller adjustment

The infeed and outfeed rollers are tensioned to provide downward pressure on the workpiece to prevent slippage on the feed conveyor. Tension rollers have been set by the manufacturer, but should be inspected and may require adjustment as the sander receives use.

WARNING

Improperly adjusted tension rollers (i.e. those set too high, rendering them non-functional) could allow kickback of pieces being sanded.

You can increase or decrease tension roller pressure by turning the screws on the tension roller brackets (Figure 8-4).

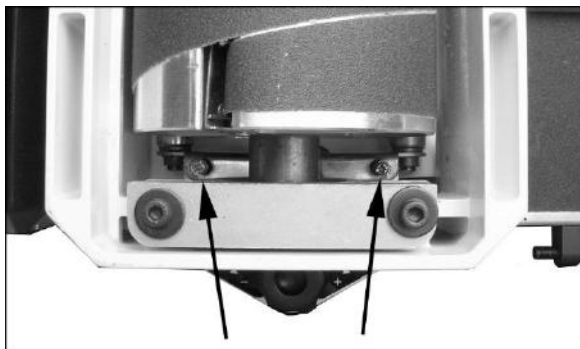


Figure 8-4: tension adjustment screws

Too much tension roller pressure can result in a “snipe” mark, which is a visible line running across the width of the board and located approximately 60mm from end of board.

If snipe occurs on the leading end of board, adjust outfeed tension roller. If the snipe occurs on trailing end of board, adjust infeed tension roller.

9.0 Operations

Before using your drum sander, review the previous sections on initial set-up and adjustment. Before operating, make sure an abrasive strip is mounted and a proper dust collection system is connected.

9.1 Basic Operating Procedure

1. Establish depth of cut.
2. Start dust collection system.
3. Turn on the power switch
4. Start sanding drum.
5. Start conveyor and select feed rate.
6. Feed stock through machine.

To feed stock through the sander, rest and hold board to be sanded on conveyor belt, allowing conveyor belt to carry board into drum. Once stock is halfway through, reposition yourself to outfeed side of machine to receive and control board as it exits.

CAUTION

Board will be forced down against conveyor table as it begins feeding, causing pinching hazard. Keep fingers away.

CAUTION

Do not open drum hood until drum comes to a complete stop.

9.2 Drum & belt motor operation

1. Connect power supply to machine.
2. Turn on main power switch by firmly pressing switch (A, Figure 9-1)
3. Turn on the rocker switch (B, Figure 9-1) to start drum motor.
4. Rotate conveyor speed dial (C, Figure 9-1) clockwise to start and increase speed of conveyor.

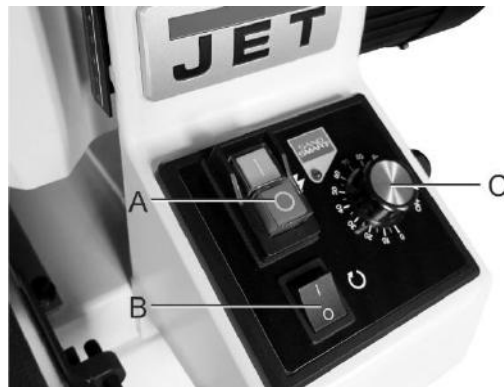


Figure 9-1: control panel

9.3 Setting depth of cut

Adjusting the drum sander for proper contact between abrasive and stock determines the depth of cut. The depth of cut is controlled by the height adjustment handle.

It may take experimentation to determine proper depth of cut, given the variables of abrasive grit, type of wood, and feed rate. For best results, use scrap wood to practice sanding and to develop skill and familiarity with the machine before doing finish work.

A combination of several variables will determine proper depth of cut to use, including the following:

1. Abrasive type and grit size.
2. Width of piece being processed.
3. Hardness of piece.
4. Feed rate of conveyor belt.

NOTE: The use of a carrier or backer board (not provided), is recommended for cuts 1/16" or less. This is a flat board, usually of wood or MDF, slightly larger than the workpiece and of even thickness, placed beneath the workpiece as it is fed through the sander.

The workpiece may be attached to the carrier with rubber cement, carpenter's tape or some other easily removable adhesive. However, some operators use a rubber or textured surface on the carrier to help stabilize the workpiece by simple friction.

9.4 Establishing drum height

A good rule of thumb when sanding with grits finer than 80:

1. To establish drum height, position stock under the drum. Do NOT start drum.
2. Lower drum to the stock thickness, making sure drum can still be rotated by hand while just contacting stock.

WARNING

Do not start drum while in contact with stock.

3. Without changing drum height, turn on conveyor and run the stock out from under the drum. Start sanding drum and sand stock at that same position.
4. With the drum operating, feed stock under the drum from the infeed side and against the rotation of the drum. Always maintain control of the stock to avoid kickback and/or slippage.

NOTE: If motor heats up during operation, depth of cut may be too great for size of grit and/or feed rate may be too fast.

For sanding with grits coarser than 80, you can lower the drum slightly.

Always maintain control of stock. Through practice you will learn the proper depth of cut considering the variables above.

9.5 Selecting SandSmart™ feed rates

A faster feed rate allows faster sanding but fewer revolutions of the drum per inch of sanding. A slower feed rate provides more revolutions of the drum per inch of sanding to allow a greater depth of cut and smooth sanding.

Begin experimenting with the feed rate set at about 40% to 50% of maximum. The best feed rate will depend on a number of factors, including type of stock, grit and depth of cut used, and whether the stock is fed directly in line with the conveyor table or at an angle. If the drum motor is lugging down, if conveyor belt is slipping, or if you observe a ripple effect on the stock, slow the feed rate. If the finish is smooth and the machine is not overworking, you can experiment using a faster feed rate.

The SandSmart controller continuously monitors the load on the drum motor, and automatically regulates the speed of the conveyor motor to maintain the highest feed rate without overload.

When the red indicator light (B, Figure 9-2) comes on, the SandSmart control has detected too great a depth of cut and/or too fast a feed rate.

If the load on the drum motor increases, the SandSmart control will decrease the conveyor feed rate and will stop the conveyor under extreme conditions. If the load on the drum decreases, SandSmart will increase the feed rate but will not increase it faster than the manual setting on the speed adjustment label.

The best and most consistent finish will be achieved if the conveyor does not change speed during operation.



Figure 9-2

This change in conveyor speed may affect the finish surface. If the finish is affected, make another sanding pass without changing any settings. If the finish is still affected, make adjustments by slowing the conveyor and/or decreasing the depth of cut and run the stock through again.

Also try a faster feed rate or less depth of cut if the stock you are working begins to show burn marks. With cherry, hard maple or other hardwoods, using a shallower depth of cut and a faster feed rate will help minimize burn marks.

Slightly angling the stock as it is fed into the machine will also help prevent burning the stock.

Because of the wide range of variables, it is important to experiment with your specific conditions and make adjustments to achieve the optimum feed rate. If problems occur, first check and adjust the feed rate, referring to the "Troubleshooting" section in this manual.

9.6 Maximum performance tips

The versatility designed into the JWDS-1632 drum sander allows it to be used for a variety of tasks that will boost return on your investment. For example, it will speed up fine sanding work often done with slower, dust-generating hand sanders, and will achieve fine thickness adjustments not possible on some sanders. It can be used to surface figured woods – bird's eye or curly maple, for example – which can be damaged if fed through a planer.

Learning how to use its adjustments and controls will allow you to fine-tune the machine for maximum results. The best results come from experimenting with different abrasive grits and machine adjustments to fit the job at hand. Following is a list of useful tips which can help you improve performance of your sander.

9.6.1 Dust collection

When connecting dust collectors, remember that straight pipe will not restrict airflow as much as flexible tubing. Y's and elbows will restrict airflow less than T's. Also, a hose smaller than 80mm diameter should not be used.

9.6.2 Multiple-piece sanding runs

When abrasive planing (or thickness sanding) a run of similar pieces that you want to have the same thickness, it is best to determine the thickness of the thinnest piece and process all pieces to that same thickness in one session. Be aware that the sander will remove cups and crowns in the workpiece; consider this when measuring and processing stock to the same thickness.

9.6.3 Simultaneous multiple pieces

When sanding multiple pieces simultaneously, make sure to stagger (step) the pieces across the width of the conveyor belt. This provides better contact with the tension rollers. Try to process only multiple pieces of similar thickness.

If there is a significant thickness difference, the thinner pieces can slip on the conveyor belt if they do not contact the tension rollers. Also note that pieces thicker than 20mm should be longer than the minimum normally recommended to prevent tipping of the stock.

9.6.4 Edge sanding

When edge sanding, the sander will mimic the opposite edge of the stock which is lying on the conveyor belt. Because of this, it is important for the stock edge to have been ripped at the proper angle to the face before the sanding process. When edge sanding stock that is less than 20mm wide or more than 50mm high, it is good procedure to stack and clamp several pieces together to prevent them from slipping or tipping on the conveyor belt.

9.6.5 Sanding imperfect stock

When sanding stock with a cup or crown, place the crown up. This will stabilize the stock to help prevent tipping or rocking during sanding. After the crown has been removed and the top is flat, turn the stock over and sand the opposite side. To avoid personal injury, take special care when sanding stock that is twisted, bowed, or otherwise varies in thickness from end to end. If possible, support such stock as it is being sanded to keep it from slipping or tipping. Use extra roller stands, help from another person, or hand pressure on the stock, to minimize potentially hazardous situations.

9.6.6 Face frames and raised panel doors

It is very important to have the proper abrasive contact when doing this type of sanding. If the machine is set to take an excessive depth of cut, the result can be a gouge or dip as the drum goes from sanding the rails at full width to sanding just a small width on the stiles. To prevent this make sure, when using abrasives finer than 80 grit, that the drum is in contact with the wood but can still be spun by hand. If there is room, angling the stock on the conveyor belt can also help. Slowing the conveyor feed when coming to a rail in the stock can help prevent a dip or gouge. This allows the abrasive to work the wider width with less effort, and to achieve better consistency of the finished surface.

9.6.7 Stock feeding angle

Some pieces, because of their dimensions, will need to be fed into the machine at a 90° angle (perpendicular to drum). However, even a slight offset angle of stock will provide for more effective stock removal. The optimum feeding angle for stock removal is about 60°.

Angling the workpiece for stock removal provides other advantages, such as less loading of certain areas of the drum due to glue lines or mineral streaks in the stock, more even wear of abrasive strips, potentially faster feed rates, and lighter loads on the motor. Note that to get the best final finish, however, the stock should be fed through the machine so it will be sanded in line with the grain of the wood on the final one or two passes.

10.0 User-maintenance

⚠ WARNING

Before doing maintenance on the machine, disconnect it from the electrical supply (pull out the plug), unless indicated otherwise. Failure to comply may cause serious injury.

10.1 Cleaning and lubrication

For best results, make cleaning the sander a regular shop procedure. Allowing excess build-up of dust and debris can adversely affect performance through loading of the abrasives, slippage on the conveyor table, and/or the accumulation of material inside the drums which can throw off the center of balance.

Leave the dust collector on when cleaning dust from the drums. Also brush the conveyor belt after cleaning operations. If not cleaned, the conveyor belt could allow stock to slip during sanding operations.

NOTE: Bearings are pre-sealed and require no lubrication.

- Lubricate conveyor bushings as needed, and check for wear.
- Lubricate elevating leadscrew (A, Figure 10-1) as needed.
- Clean sawdust from abrasive strip and brush dust from conveyor belt.
- Keep slide areas clean (B, Figure 10-1).
- Blow dust from motors and switches. Blow dust from inside of sanding drum, which may cause vibration or offset the center of balance.
- Check all set screws for tightness on parts such as bearings, conveyor table, and couplings.

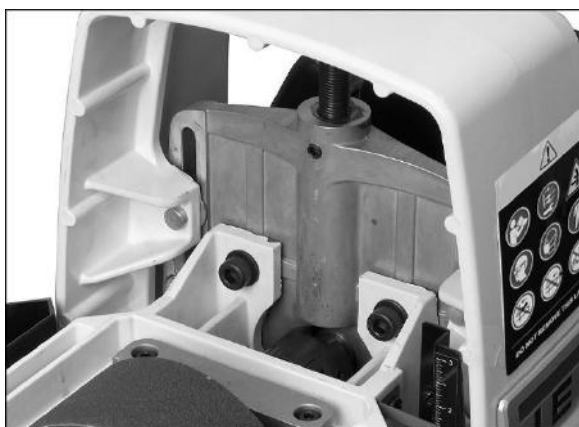


Figure 10-1

10.2 Drum maintenance

The drum should not require removal from the machine under normal circumstances. Should maintenance ever become necessary, the drum has been designed for easy removal and replacement.

Remove four socket head screws (C, Figure 10-2). Carefully lift out drum with coupling (D) attached.

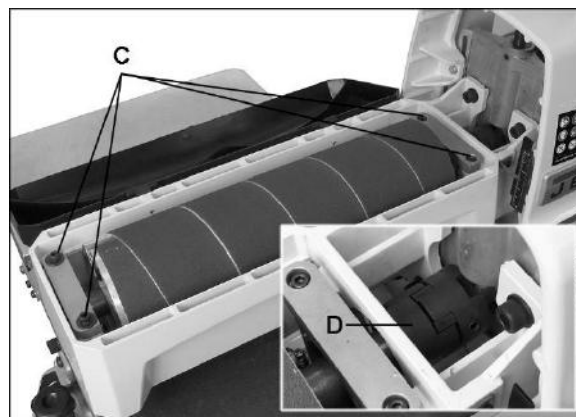


Figure 10-2: drum removal

10.3 Conveyor belt replacement

1. Disconnect sander from power.
2. Raise drum to highest position.
3. Turn take-up screws (Figure 8-2) on both sides of conveyor to relieve belt tension, and slide the driven roller fully inward.
4. Remove two (2) screws that attach conveyor table to base.
5. Remove two (2) screws that attach conveyor table to drum alignment bracket (E, Figure 10-3).
6. Loosen two locks (F, Figure 10-3).
7. Lift up conveyor table and remove it from machine. Avoid tearing the belt on any edges underneath the conveyor table. *Do not allow the Trackers to drop, as they may break.*
8. Set conveyor on motor side and slide conveyor belt off end of conveyor table.
9. Install new belt along with trackers (see sect. 11.0), and re-install conveyor table. Tension and track the new belt.

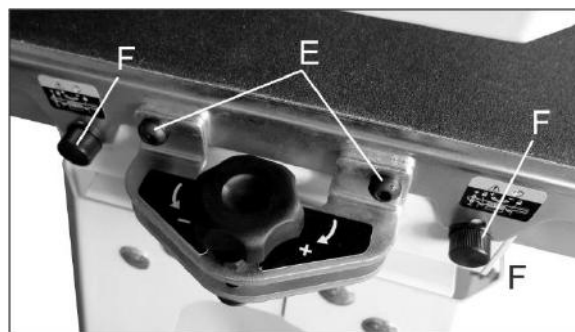


Figure 10-3

Note: If conveyor belt continually tracks to one side of the machine, reversing the belt on the conveyor table may remedy the problem. To make sure the conveyor table is not twisted, place a level on the conveyor table. Level the machine if needed. If there is still a problem, proceed with the steps below:

Step 1: Check conveyor drive roller and driven roller to make sure they are parallel to surface of conveyor table. To do this, first center conveyor belt on the conveyor table. Then lay a straight-edge on the exposed edge of conveyor table on left (outboard) side, extending it over the roller. Note distance between roller and straightedge.

Step 2: Now repeat Step 1 on right (inboard) side of conveyor. Compare the measurements from side to side. If they are not equal, loosen one of the brackets that hold the roller in place. Tip this bracket until distance between roller and straight-edge are equal from side to side, then tighten bracket.

10.4 Commutator brush inspection

To maintain motor efficiency, inspect the two carbon brushes every two months, or more frequently if sander is heavily used. Stalling or loss of power may be a symptom of worn carbon brushes. If one brush is worn out, replace both at the same time.

CAUTION

Continued use of damaged or worn brushes may result in damage to motor armature.

1. Unplug saw from power source.
2. Unscrew and remove cap with flat blade screwdriver. See Figure 10-4.
3. Gently pry up an edge of the brass clip, until the spring causes it to disengage from hole. (Notice orientation of brush as you remove it; it should be inserted in the same manner; curvature of brush will match curvature of motor.) Pull out brush and inspect. Brush should be replaced if any of the following are discovered:

11.0 Tracker kit

Stock No.: PM2244-213

Trackers dramatically reduce tracking adjustments of conveyor belts. They are already installed on your sander.

The following information is for resetting or replacing your trackers, should that become necessary.

1. Disconnect power to sander.
2. Raise drum as high as it will go.
 - Brush has worn to about 13mm long.
 - Signs of crumbling, burning or breaking.
 - End of brush is rough or pitted.
 - Abnormal coloration of spring
 - Broken lead in spring
 - Collapsed spring
3. Install new brush (or reinstall current brush) and gently press it all the way into hole until the brass clip is secured.
4. Install cap.
5. Repeat for other brush.

NOTE: It is recommended that sander be run without load for several minutes to seat new brushes.

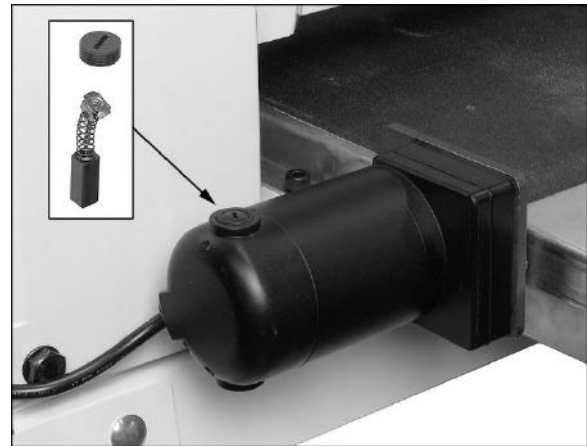


Figure 10-4

10.5 Additional servicing

Any additional servicing should be performed by an authorized service technic

3. Turn both conveyor take-up screws to relieve conveyor belt tension and slide driven roller fully inward.
4. Remove the four bolts holding conveyor table to sander base.
5. Lift conveyor table and slide it out of sander. Turn conveyor table upside down. Be careful not to damage conveyor belt.
6. On the underside of the conveyor table, there are U-channels welded to the table. The Tracker is positioned on the inside of the first U-channel on the infeed side of sander (Figure 11-1). The back of tracker is magnetized and will stick to side wall of conveyor table. Do not install tracker if edge of conveyor belt is damaged or torn.
7. With first tracker installed, slide conveyor belt into bottom slot of tracker. Note: When installed properly, only bottom lip of tracker will be visible. The top slot can be used if bottom slot wears out.
8. Install second tracker opposite the first. Use both trackers unless the second one does not fit in conveyor or unless conveyor belt is damaged.
9. Turn conveyor table right-side up and reposition it onto sander. Re-attach three mounting screws and tighten. Caution: Be careful not to knock tracker(s) out of conveyor table when turning conveyor over. Trackers may break if allowed to fall.
10. Make sure all switches are off. Connect power to sander and plug in motor.
11. Tension conveyor belt using take-up screws. If both trackers are installed, it is very important to have equal tension on both sides of conveyor belt. Turn take-up screws on both sides until equal tension is obtained.
12. To check tension, turn on conveyor full speed and place both hands on conveyor. If conveyor belt can be stopped, continue tensioning until conveyor belt cannot be stopped by both hands on the belt while conveyor is operating at full speed.

12. To check tension, turn on conveyor full speed and place both hands on conveyor. If conveyor belt can be stopped, continue tensioning until conveyor belt cannot be stopped by both hands on the belt while conveyor is operating at full speed.
13. Make sure conveyor belt runs smoothly inside tracker slot and that the magnet is holding the tracker in position.
14. Continue to watch tracking of conveyor and adjust only if necessary, making sure to keep equal tension on conveyor belt at all times and not allowing conveyor belt to buckle under conveyor table.

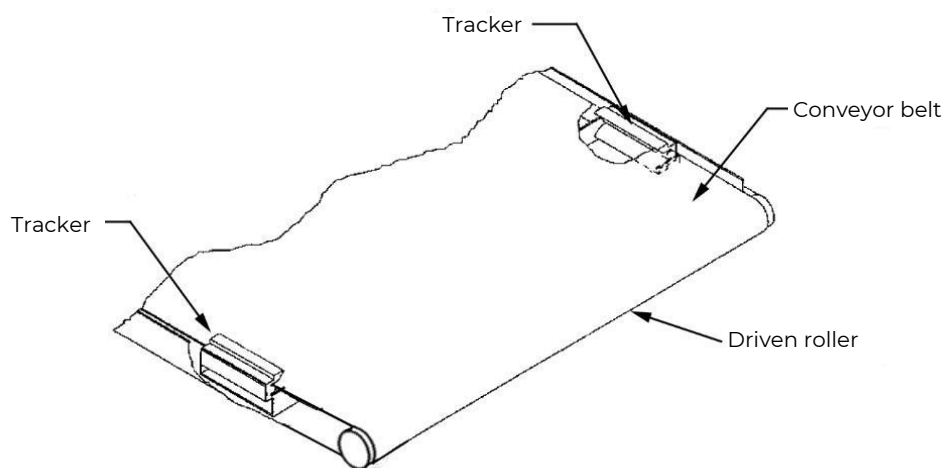


Figure 11-1: Underside of conveyor shown

12.0 Abrasives

The abrasive material you choose will have a substantial effect on the performance of your sander. Variations in paper type, weight, coating and durability all contribute to achieving your desired finish.

12.1 Selecting drum abrasives

It is important to select the proper grit of abrasive for the type of sanding being performed to achieve maximum results. As with any sanding operation, first begin sanding with a coarser grit, depending upon the roughness of the stock or the amount of stock to be removed. Then progressively work toward finer grits. The chart below shows the general uses for the various grits.

The amount of stock to be removed is a major consideration when choosing the grit grade with which to begin. Grits 24, 36, 50 and 60 are primarily designed for stock removal. Grits 24 and 36 will remove the most material in one pass, whether you are doing abrasive planing, cleaning up glued panels, or flattening stock.

Grits from 100 through 220 are primarily finishing grits designed to remove the scratch pattern from the previous grit used. For best results, never skip more than one grit grade when progressing through a sanding sequence.

For fine work, such as furniture, try not to skip any grit grades during the sanding process.

In general, premium quality abrasives will produce a better finish with a less noticeable scratch pattern.

Note: Grits that are too fine can sometimes burnish the wood and leave a glossy surface which will not accept stains evenly. This will vary by type of wood.

Oak, for example, is susceptible to burnishing because of its open pores.

12.4 Abrasive selection guide

Grit Common Application

24	Abrasive planing, surfacing rough-sawn boards, maximum stock removal, glue removal.
36	Abrasive planing, surfacing rough-sawn boards, maximum stock removal, glue removal.
50	Surfacing and dimensioning boards, truing warped boards
60	Surfacing and dimensioning boards, truing warped boards.
80	Light dimensioning, removal of planer ripples.
100	Light surfacing.
120	Light surfacing, minimal stock removal.
150	Finish sanding, minimal stock removal.
180	Finish sanding only, not for stock removal.
220	Finish sanding only, not for stock removal.

Table 2

12.2 Cleaning abrasive strips

Regularly clean the abrasive strip on the drum with commercially available cleaning sticks, following the manufacturer's directions. When cleaning, also brush the stick crumbs from the drum while it is still rotating.

In some cases, heavy loaded areas can be removed with Plexiglas held on edge over the rotating drum.

CAUTION

Always wear eye protection while performing sandpaper cleaning, and take all precautions to avoid any contact of hands or clothing with the rotating drum.

Cloth-backed abrasives can be cleaned by soaking in paint thinner or mineral spirits for 20 minutes to one hour, then using a brush to remove any build-up. Dry the abrasive strips completely before using. Any used solvents should be discarded in compliance with environmental regulations.

12.3 Increasing abrasive life

Abrasive life can be increased not only by cleaning, but by removing the abrasive strip from the drum and reversing it. To do this, remove the strip and use what was the trailing end as the starting end on the left (outboard) side of the drum. Reversing the strip will provide a fresh set of cutting edges on the abrasive.

13.0 Troubleshooting JWDS-1632 Drum Sander

Symptom	Possible Cause	Correction *
Drum motor won't start when switch is activated.	No incoming current.	Check connections at plug or circuit panel.
	Safety key missing from switch.	Install safety key.
	Low voltage.	Check power line for proper voltage.
	Open circuit in motor or loose connection.	Inspect all lead connections on motor for loose or open connections.
	Switch malfunction.	Replace switch.
Drum motor will not start: fuses blow or circuit breakers trip.	Short circuit in line cord or plug.	Inspect cord or plug for damaged insulation and shorted wires.
	Short circuit in motor or loose connections.	Inspect all connections on motor for loose or shorted terminals or worn insulation.
	Incorrect fuse or circuit breaker in power line.	Install correct fuse or circuit breaker.
Drum motor overheats.	Air circulation through motor restricted.	Clean motor fan with compressed air to restore normal air circulation.
	Motor overloaded (SandSmart not functioning properly).	Have controls inspected and repaired.
Drum motor stalls, resulting in blown fuses or tripped circuit.	Short circuit in motor or loose connections.	Inspect connections on motor for loose or shorted terminals or worn insulation.
	Low voltage.	Correct low voltage conditions.
	Incorrect fuse or circuit breaker in power line.	Install correct fuse or circuit breaker.
Loud, repetitive noise or vibration coming from machine.	Fasteners loose.	Inspect fasteners and tighten where needed.
	Motor fan is hitting cover.	Tighten fan or shim fan cover.
	Machine not level.	Place sander on level floor; shim if needed.
Conveyor motor stalls.	Excessive depth of cut.	Reduce depth of cut; use coarser grit; reduce feed rate.
Conveyor belt does not move.	Shaft coupler is loose or unattached.	Adjust shaft coupler.
Conveyor rollers run intermittently.	Shaft coupling is loose.	Align the shaft flats of the gear motor and the drive roller and tighten the shaft-coupling setscrews.
Conveyor belt slips on drive roller.	Improper conveyor belt tension.	Adjust belt tension.
	Excessive depth of cut and/or feed rate.	Reduce depth of cut and/or feed rate.
Abrasive strip comes off drum.	Slack in abrasive strip on drum.	Remove slack in strip.
	Abrasive improperly wrapped.	Read the section on installing abrasives, and rewrap.
Abrasive strip is loose.	Strip caught on inside edge of slot, or on inboard side of drum.	Re-adjust the strip end in the slot and/or trim the abrasive edge.
	Strip not cut properly.	Re-cut and re-install the abrasive strip.
Abrasive loads up prematurely.	Excessive depth of cut.	Reduce depth of cut.
	Excessive feed rate.	Reduce feed rate.
	Inadequate dust collection.	Increase airflow at dust port.
	Inadequate abrasive.	Use an open-coat abrasive.
Line or groove in stock.	Inconsistent feed rate.	Do not stop or change the feed rate while feeding stock.

Symptom	Possible Cause	Correction *
Snipe marks.	Improper tension on rollers.	Re-tension rollers.
Sander burns wood.	Abrasive strip is overlapped.	Re-wrap abrasive strip.
	Abrasive is loaded.	Clean abrasive.
	Depth of cut excessive for fine grit.	Use coarser grit or reduce depth of cut.
	Feed rate too slow.	Increase feed rate.
	Abrasive is worn.	Replace abrasive.
Board slips on conveyor belt.	Tension rollers too high.	Lower tension rollers.
	Excessive feed rate.	Reduce feed rate.
	Dirty or worn conveyor belt.	Replace conveyor belt.
Ripples in sanded surface. A. Non-uniformly spaced ripples. B. Uniformly spaced ripples.	A. Uneven feed rate.	Conveyor belt slipping (see above) Board slips on conveyor belt (see above). Conveyor motor stalls (see above).
	B. Conveyor table flexing or vibration.	Reduce depth of cut and/or feed rate. Check for loose bolts, loose shaft coupling set screws, or out-of-balance drum.
Wood is gouged.	Stock slipping on conveyor.	Correct depth of cut or roller tension.
	Work piece not properly supported.	Add work supports for long work pieces.

* **WARNING:** Some corrections may require a qualified electrician.

Table 3

14.0 Optional accessories

98-0130 Locking Casters, set of 4
723521 Infeed/Outfeed Tables

DE - DEUTSCH

BEDIENUNGSANLEITUNG

Sehr geehrter Kunde,

Vielen Dank für Ihr Vertrauen, dass Sie durch den Kauf Ihrer neuen TOOL FRANCE Maschine in uns gesetzt haben. Diese Anleitung wurde für den Besitzer und die Bediener der Zylinderschleifmaschine TOOL FRANCE JWDS-1632 erstellt und soll die Sicherheit bei Aufstellung, Bedienung und Wartung gewährleisten. Bitte lesen Sie die in dieser Betriebsanleitung und den begleitenden Dokumenten enthaltenen Informationen vollständig und sorgfältig, um sicherzustellen, dass Sie alle Anweisungen genau verstehen. Damit Sie die Maschine so lange wie möglich sicher betreiben und mit höchstmöglicher Effizienz nutzen können, müssen diese Anleitung gründlich durchlesen und alle Anweisungen befolgen.

1. Konformitätserklärung

Wir erklären hiermit auf eigene Verantwortung, dass dieses Produkt den auf Seite 2 aufgeführten Richtlinien* entspricht und unter Berücksichtigung der folgenden Normen** entwickelt und konstruiert wurde.

2. Garantie

TOOL FRANCE garantiert, dass das/die von ihr gelieferte/n Produkt/e frei von Material- und Herstellungsfehlern ist.

Diese Garantie deckt keinerlei Mängel, Schäden und Fehler ab, die - direkt oder indirekt - durch falsche oder nicht sachgemäße Verwendung, Fahrlässigkeit, Unfallschäden, Reparaturen oder unzureichende Wartungs- oder Reinigungsarbeiten sowie durch natürliche Abnutzung durch den Gebrauch verursacht werden.

Weitere Einzelheiten zur Garantie können den allgemeinen Geschäftsbedingungen (AGB) entnommen werden.

Diese können Ihnen auf Wunsch per Post oder Mail zugesendet werden.

TOOL FRANCE behält sich das Recht vor, jederzeit Änderungen am Produkt und am Zubehör vorzunehmen.

3. Sicherheit

3.1 Bestimmungsgemäße Verwendung

Diese Zylinderschleifmaschine ist ausschließlich für das Schleifen von Holz und vergleichbaren Werkstoffen ausgelegt. Das Schleifen von anderen Werkstoffen ist nicht zulässig und darf in Sonderfällen nur nach ausdrücklicher Genehmigung des Herstellers durchgeführt werden.

Die Maschine ist nicht für Nassschleifvorgänge geeignet.

Für die bestimmungsgemäße Verwendung müssen außerdem die Betriebs- und Wartungsanweisungen in diesem Handbuch beachtet werden.

Die Maschine darf nur von Personen bedient werden, die mit der Bedienung und Wartung dieser Maschine sowie den damit verbundenen Gefahren vertraut sind.

Das erforderliche Mindestalter muss beachtet werden. Die Maschine darf nur in technisch einwandfreiem Zustand verwendet werden.

Beim Arbeiten mit der Maschine müssen alle Sicherheitsmechanismen und Sicherheitsabdeckungen funktionstüchtig und korrekt montiert sein.

Zusätzlich zu den in dieser Betriebsanleitung aufgeführten Sicherheitsmaßnahmen und den in Ihrem Land geltenden Regelungen müssen außerdem die allgemein anerkannten technischen Grundsätze hinsichtlich der Bedienung von Holzbearbeitungsmaschinen beachtet werden.

Jegliche anderweitige Verwendung ist untersagt. Bei nicht bestimmungsgemäßer Verwendung der Maschine übernimmt der Hersteller keinerlei Haftung und der Bediener trägt die volle Verantwortung.

3.3 Allgemeine Sicherheitshinweise

Holzbearbeitungsmaschinen bergen bei nicht sachgemäßer Verwendung ein großes Gefahrenpotential. Daher müssen die entsprechenden technischen Grundsätze und die folgenden Hinweise beachtet werden.

Vor Montage und Inbetriebnahme muss die Bedienungsanleitung vollständig durchgelesen und verstanden werden.



Diese Bedienungsanleitung muss in der Nähe der Maschine aufbewahrt, vor Schmutz und Feuchtigkeit geschützt und bei Weitergabe des Produkts an einen neuen Besitzer mit übergeben werden.

An der Maschine dürfen keine Änderungen vorgenommen werden.

Vor dem Starten der Maschine müssen alle Sicherheitseinrichtungen täglich auf Funktionstüchtigkeit und Vorhandensein geprüft werden.

In diesem Fall darf die Maschine nicht in Betrieb genommen werden und muss durch Abziehen des Netzkabels gesichert werden.

Bevor mit dieser Maschine gearbeitet wird, Krawatten, Ringe, Armbanduhren und anderen Schmuck ablegen und die Ärmel bis über die Ellbogen aufrollen. Locker sitzende Kleidung darf nicht getragen werden und lange Haare zusammenbinden.

Sicherheitsschutz tragen; niemals mit Freizeitschuhen oder Sandalen arbeiten. Stets zulässige und geeignete Arbeitskleidung tragen:
- Augenschutz
- Atemschutz



Beim Arbeiten mit dieser Maschine keine locker sitzende Kleidung und keine Handschuhe tragen.

Die Maschine muss so aufgestellt werden, dass ausreichend Platz zur sicheren Bedienung und zur Handhabung des Werkstücks gewährleistet ist. Der Arbeitsbereich muss stets gut beleuchtet sein. Die Maschine ist für den Betrieb in geschlossenen Räumen ausgelegt und muss stabil und sicher auf einer festen und ebenen Tischfläche oder im mitgelieferten Gestellschrank verschraubt werden. Es muss sichergestellt werden, dass das Netzkabel die Arbeiten nicht behindert und keine Stolpergefahr darstellt. Den Boden rund um die Maschine sauber und frei von Ausschussmaterial, Öl oder Schmierfett halten.

Stets aufmerksam bleiben!

Der Arbeit ist uneingeschränkte Aufmerksamkeit zu widmen. Mit gesundem Menschenverstand vorgehen.

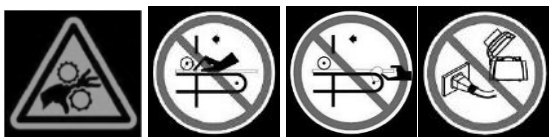
Die Maschine darf nicht bei Müdigkeit bedient werden.

Stets auf eine ergonomische Körperhaltung achten. Stets für sicheren Stand sorgen.

Die Bedienung dieser Maschine unter dem Einfluss von Drogen, Alkohol oder Medikamenten ist untersagt.

Urteils- und Reaktionsvermögen sowie Motorik können durch Einnahme von Medikamenten beeinträchtigt werden.

Greifen Sie niemals in die Maschine hinein, während sich diese in Betrieb befindet oder nachläuft.



Vor der Inbetriebnahme der Maschine muss die Trommelabdeckung geschlossen werden.

Bei der Werkstückzustellung die Hände von Trommelgehäuse und Förderband fernhalten. Kinder und Unbefugte müssen vom Arbeitsbereich ferngehalten werden.

Lassen Sie die Maschine niemals unbeaufsichtigt. Die Maschine muss vor dem Verlassen des Arbeitsplatzes ausgeschaltet werden.

Die Maschine darf nicht in der Nähe von entzündlichen Flüssigkeiten oder Gasen betrieben werden.

Alle Einrichtungen für Brandbekämpfung und Feueralarm - beispielsweise Position und Bedienung von Feuerlöschern - müssen bekannt sein.

Die Maschine darf nicht in feuchter Umgebung eingesetzt werden und darf keinem Regen ausgesetzt werden.

Schleifstaub ist explosiv und kann darüber hinaus auch ein Gesundheitsrisiko darstellen.

Es muss stets eine geeignete Staubabsaugvorrichtung verwendet werden.

Vor der Bearbeitung müssen sämtliche Nägel und Fremdkörper vom Werkstück entfernt werden.

Nur mit gut geschärften Werkzeugen arbeiten.

Nur Schleifgut bearbeiten, das sicher und stabil auf dem Tisch liegen.

Vor der Inbetriebnahme der Maschine muss die Spannutterabdeckung geschlossen werden.

Die Vorgaben hinsichtlich Maximal- und Minimalgröße des Werkstücks müssen beachtet werden.

Späne und Werkstückteile dürfen erst nach vollständigem Stillstand der Maschine entfernt werden. Stellen Sie sich nicht auf die Maschine.

Anschluss- und Reparaturarbeiten an der Elektrik dürfen ausschließlich von einem qualifizierten Elektriker durchgeführt werden.

Ein beschädigtes oder verschlissenes Netzkabel muss umgehend ersetzt werden.

Vor Ausführung aller erforderlichen Einstellungen oder Wartungsarbeiten die Maschine vom Stromnetz trennen.



Schützen Sie die Umwelt!

Ihr Gerät enthält mehrere unterschiedliche, wiederverwertbare Werkstoffe.

Bitte entsorgen Sie es nur an einer spezialisierten Entsorgungsstelle.



Dieses Symbol verweist auf die getrennte Sammlung von Elektro- und Elektronikgeräten, gemäß Forderung der WEEE-Richtlinie (2012/19/EU). Diese Richtlinie ist nur innerhalb der Europäischen Union wirksam.

3.3 Restrisiken

Selbst bei Beachtung aller Vorschriften können beim Betrieb der Maschine einige Restrisiken bestehen. Von der drehenden Schleifhülse geht eine Verletzungsgefahr aus.

Es besteht Rückschlaggefahr. Das Werkstück kann von der drehenden Schleifhülse erfasst und in Richtung des Bedieners geschleudert werden.

Fortgeschleuderte Werkstücke können zu Verletzungen führen.

Es bestehen Gesundheitsrisiken durch Schleifstaub und Lärm. Persönliche Schutzausrüstung wie z.B. Schutzbrille und Staubschutzmaske tragen. Ein geeignetes Staubabsaugsystem verwenden. Defekte Schleifscheiben können Verletzungen verursachen.

Bei Verwendung eines ungeeigneten Netzanschlusses und eines beschädigten Netzkabels kann es zu Verletzungen aufgrund eines Stromschlags kommen.

3.4 Schilder und ihre Positionen

A: Sicherheitswarnung

B: Laufrichtung von Schleiftrommel und Förderband.

C: Tischverriegelung vor dem Parallausrichtvorgang für den Tisch lösen



Fig. A



Fig.B



Fig.C

4.0 Technische Daten

Modellnummer	JWDS-1632
<u>Bestellnummern:</u>	
Zylinderschleifmaschine mit Maschinenuntergestell	723520KM
Nur das Gestell	723520S
<u>Motoren und Elektrik:</u>	
Trommelmotor:	
Motortyp	Induktionsmotor
Leistung	1.1 kW (1.5 HP)
Spannung	~ 230 V, PE, 50 Hz
Für Volllast verzeichnete Stromstärke	7.1 A
Motordrehzahl	1400 min ⁻¹
Einschaltstrom	25 A
Betriebsstrom (ohne Last)	4.5 A
Anlasskondensator	300µF 125 VAC
Betriebskondensator	n/a
<u>Fördermotor:</u>	
Motortyp	gekapselter Gleichstrommotor
Leistung	40 W
Motordrehzahl	54 min ⁻¹
EIN/AUS-Schalter	Magnetschalter
Netzkabel	H05RR-F, 3x1,5mm ² , 1830 mm
Empfohlene Stomkreis- und Sicherungs-/Trennschalterbemessung ¹	16 A
Geräuschemission 2 Schalldruckpegel in Leerlauf/Betrieb	65 dB / 80 dB
<u>Leistungswerte:</u>	
Maximale Plattenbreite, ein Durchlauf	406 mm
Maximale Plattenbreite, zwei Durchläufe	812 mm
Maximale Plattenstärke	75 mm
Kleinste Plattenlänge	60 mm
Kleinste Plattenstärke ³	0.8 mm
<u>Werkstoffe:</u>	
Gestell	Stahl
Trommel	stranggepresstes Aluminium
Verlängerungstische (optional)	Stahl
Fördertisch:	Stahl
Kurbel für Trommel-Höhenverstellung	Kunststoff
<u>Schleiftrommel:</u>	
Trommelabmessungen	Durchmesser 127 x 406 mm
Trommeldrehzahl	1400 min ⁻¹
Installiertes Schleifpapier	Körnung 80
Trommelhebung pro Handraddrehung	1,6 mm
<u>Förderer:</u>	
Förderergeschwindigkeit	einstellbar, 0-3 m/min
Abmessungen des Fördertischs:	456 x 420 mm
Höhe des Förderers über dem Boden	812 mm
<u>Staubabsaugung:</u>	
Außendurchmesser Staubabsaugungsöffnung	100 mm
Kleinstes erforderliches Absaugvolumen	560 m ³ /h

Abmessungen:

Gesamtabmessungen der Versandkiste für die Grundmaschine	985 x 570 x 510 mm
Gesamtabmessungen der Versandkiste für das Gestell	860 x 415 x 120 mm
Gesamtabmessungen, komplett montiert (LxBxH)	508 x 1269 x 1007 mm

Gewichtsangaben:

Nettogewicht	71 kg
Transportgewicht	83 kg

¹ Gemäß den örtlich/landesweit geltenden elektrotechnischen Vorschriften und Normen.

² Die angegebenen Werte sind nur die Emissionswerte und sind nicht automatisch als sichere Betriebswerte zu verstehen. Die Arbeitsbedingungen fallen je nach Arbeitsplatz unterschiedlich aus. Diese Informationen dienen daher lediglich dazu, dem Anwender eine bessere Vorstellung zum Einschätzen der Gefahren und Risiken zu vermitteln. (nach EN ISO 11202).

³ Für Schnitte von nur max. 1,5 mm wird die Verwendung einer Träger- oder Grundplatte (nicht mitgeliefert) empfohlen. Siehe dazu Abschnitt 9.3.

Die technischen Daten in diesem Handbuch waren zum Zeitpunkt der Veröffentlichung aktuell. Aufgrund unserer Politik fortwährender Verbesserung behält sich die TOOL FRANCE das Recht vor, technische Daten jederzeit und ohne Vorankündigung sowie ohne jegliche damit einhergehende Verpflichtung zu ändern.

5.0 Merkmale und verwendete Terminologie

In der nachstehenden Abbildung sind die Hauptkomponenten und Merkmale der Holzschleifmaschine JWDS-1632 dargestellt. Die Erläuterungen in diesem Handbuch beziehen sich auf diese Komponenten und Merkmale und verwiesen auf sie, damit Sie sich mit der Bedienung und den Funktionen der Maschine genau vertraut machen können.

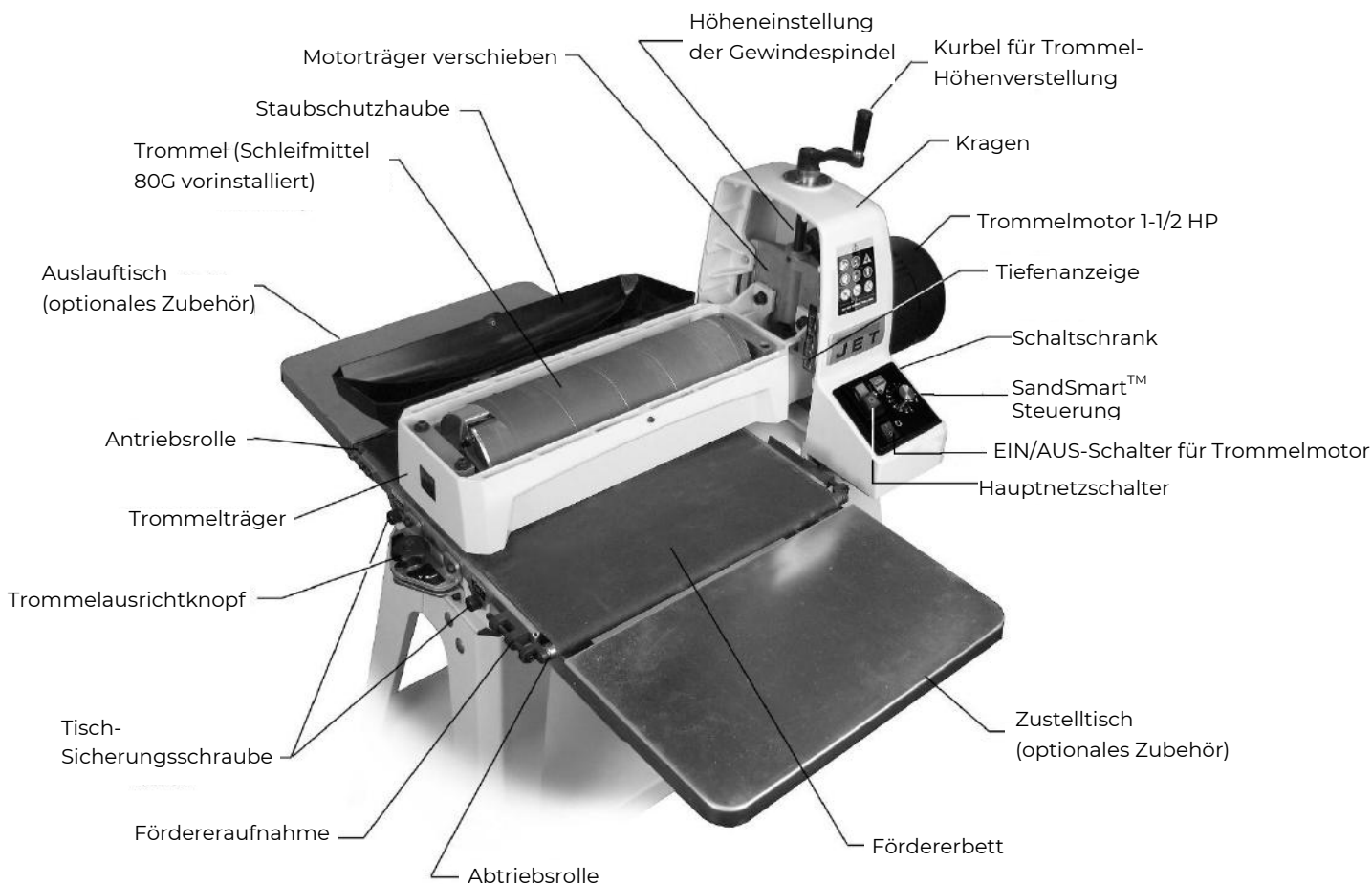


Abb. 5-1

6.0 Einrichtung und Montage

Die Kisten öffnen und den Inhalt auf Transportschäden prüfen. Schäden unverzüglich dem Zulieferer oder Spediteur melden. Das Versandmaterial erst entsorgen, wenn die Zylinderschleifmaschine vollständig montiert ist und ordnungsgemäß funktioniert.

Die Inhalte der Kisten mit der folgenden Teileliste abgleichen, um sicherzustellen, dass alle Teile vorhanden sind. Sollten Teile fehlen, muss dies dem Zulieferer mitgeteilt werden. Diese Bedienungsanleitung zwecks Verinnerlichung von Montage- und Wartungsvorgängen sowie Sicherheitsanweisungen sorgfältig durchlesen.

6.1 Lieferumfang

Kiste Nr. 1: (siehe Abb. 6-1)

- 1 Holzschleifmaschine mit Fördertisch (A)
- 1 Griff (B)
- 1 Bedienungsanleitung (nicht gezeigt)
- 1 Liste der Ersatzteile (nicht gezeigt)

Kiste Nr. 2: (siehe Abb. 6-2)

Gestelleinheit, enthält:

- 1 Regal (C)
- 2 Kurze Schienen (D)
- 2 Lange Schienen (E)
- 4 Standbeine (F)
- 4 Nivellierfüße (G)
- 8 Flache Unterlegscheiben (H)
- 4 Sechskantmuttern (I)
- 24 Schlossschrauben, M8x16 (J)
- 24 Bund-Sicherungsmuttern, M8 (K)

6.2 Für die Montage benötigte Werkzeuge

12-mm- und 14-mm-Schraubenschlüssel
3-mm- und 6-mm-Sechskantschlüssel
Haarlineal (z.B. gerader Stahlstab oder zusammengefügte Platte)

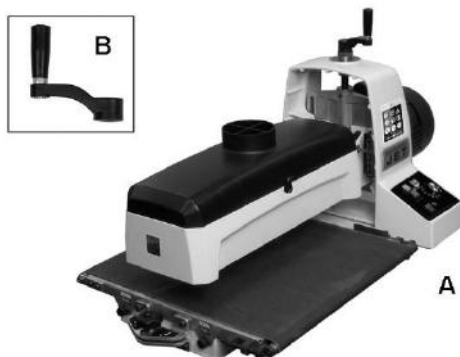


Abb. 6-1: Kiste Nr. 1 (Haupteinheit)

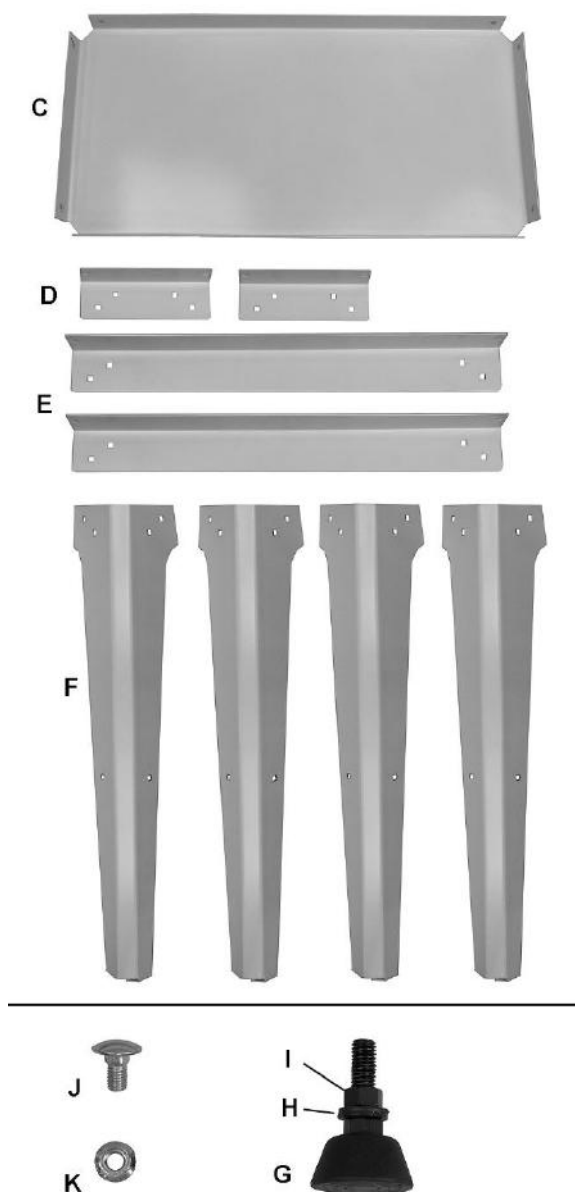


Abb. 6-2: Kiste Nr. 2 (Gestelleinheit)

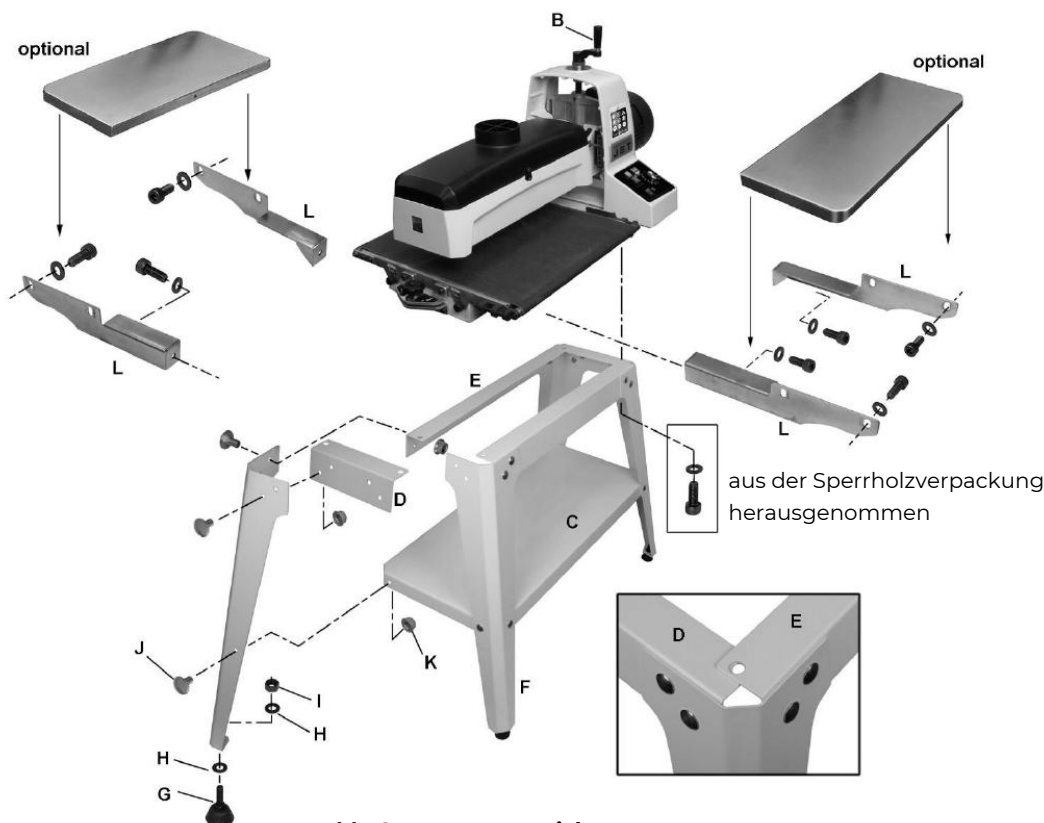


Abb. 6-3: Montagezeichnung

6.3 Montage des Gestells

(Siehe die Abb. 6-3. Ist eine weitere Klarstellung erforderlich, den Abschnitt mit der Aufschlüsselung und Erläuterung der Komponenten und Bauteile am Ende dieses Handbuchs lesen.)

1. Die Standbeine (F) unter Verwendung der Schlossschrauben (J) und den Bund-Sicherungsmuttern (K) an der Außenseite der kurzen Schienen anbringen. Schrauben nur handfest anziehen.
2. Die langen Schienen (E) auf der Innenseite der Standbeine und an der Oberseite der kurzen Schienen (D) anbringen. Schrauben nur handfest anziehen.
HINWEIS: Der Flansch der langen Schiene überlappt sich mit dem Flansch der kurzen Schiene. Siehe das Einsatzbild, Abb. 6-3.
3. Das Gestell umdrehen. Das Regel mithilfe der Schlossschrauben und Sicherungsmuttern an den Standbeinen anbringen.
4. Alle Bund-Sicherungsmuttern an Regal und Standbeinen ganz festziehen.
5. Die Nivellierfüße (G) jeweils in die untere Öffnung der Standbeine einsetzen und mit den flachen Unterlegscheiben und Sechskantmuttern sichern.
6. Das Gestell drehen (rechte Seite nach oben) und bis zum Einrasten hinunterdrücken. Alle Bund-Sicherungsmuttern am Gestell festziehen.
7. Das Gestell mithilfe der Nivellierfüße eben und gerade ausrichten. Die Sechskantmuttern am Standbeinflansch festziehen.

6.4 Die Holzschleifmaschine auf dem Gestell anbringen

1. Die Trommelkopfeinheit aus der Kiste herausheben und vorübergehend quer auf der Gestelloberseite ablegen.



Beim Anheben der Holzschleifmaschine muss ein Assistent helfen.

2. Die Höheneinstellkurbel (B) anbringen und die Passschraube festziehen.
3. Die Höheneinstellkurbel entgegen der Uhrzeigerrichtung drehen und den Stützholzblock herausnehmen.
4. Die Innensechskantschrauben und die Unterlegscheiben, mit denen die Sperrholzplatten unten am Sockel der Holzschleifmaschine befestigt sind, entfernen. Diese Schrauben und Unterlegscheiben für Schritt 6 aufbewahren.
5. Die Holzschleifmaschine so über dem Gestell platzieren, dass die vier Gewindebohrungen des Sockels genau auf die Löcher in den Gestellschienen ausgerichtet sind (Abb. 6).
6. Den Sockel mithilfe der vier Schrauben und Unterlegscheiben, die von den Sperrholzplatten entfernt wurden, (von unten) mit dem Gestell verbinden. Die Schrauben ganz festziehen.

6.5 Zustelltisch und Auslauftisch (optionales Zubehör)

Die Holzschleifmaschine muss mit dem Gestell oder auf einem Arbeitstisch verschraubt werden. Dabei sind diese Verlängerungstische zu verwenden. Die maximale Tischtraglast beträgt jeweils 16 kg.

Den Verlängerungstischen sind Befestigungselemente beigelegt.

1. Die Zustelltisch- und Auslauftisch-Halter (L, Abb. 6-3) mithilfe von M8x16-Innensechskantschrauben und flachen Unterlegscheiben in den Gewindebohrungen des Sockels anbringen. Sicherstellen, dass der linke Halter und der rechte Halter wie in der Abbildung gezeigt korrekt ausgerichtet sind. Die Halter müssen bündig am Sockel ausgerichtet sein.
HINWEIS: Die langen Halter müssen vorne (Zustelltisch) und die kurzen Halter hinten (Auslauftisch) angebracht werden.
2. Die Verlängerungstische auf die Halter legen und mit M8x12-Innensechskantschrauben und Unterlegscheiben sicher befestigen. *Schrauben nur handfest anziehen.*
3. Die Tische etwas unterhalb der Förderbandoberfläche platzieren, damit das Schleifgut korrekt abgestützt wird. Zur Positionsüberprüfung ein Haarlineal so auf einer Seite des Fördertisches unter die Trommel legen, dass es auf den Verlängerungstisch ragt. Die Trommel absenken, damit das Haarlineal sicher gehalten wird. Siehe Abb. 6-4. Den Zustell- und den Auslauftisch anheben, bis sich die Tischoberfläche etwas unterhalb der Förderbandoberfläche befindet. Die Schrauben auf dieser Seite festziehen.
4. Das Haarlineal auf die andere Seite des Tisches legen und die Messung wiederholen.

Biegt sich das Schleifgut oder ist es anderweitig nicht korrekt ausgerichtet oder platziert, muss überprüft werden, ob sich die Tischoberkante unterhalb der Oberfläche des Fördertisches befindet.

Gerät das Schleifgut auf dem Tisch ins Rutschen, sind die Tische möglicherweise zu hoch positioniert. Die Tische absenken, damit das zu bearbeitende Material auf dem Förderband aufliegt und mit diesem in Kontakt bleibt.



Abb. 6-4: Ausrichten der Verlängerungstische

6.6 Staubabsaugung

Eine Staubabsaugung ist für eine sicheren Arbeitsumgebung und eine Verlängerung der Lebensdauer der Schleifmittel unbedingt erforderlich. Die JWDS-1632-M ist mit einer 100-mm-Staubabsaug-Anschlussöffnung versehen. Einen Staubabsaugschlauch mit einem Durchmesser von 100 mm mit einer Schlauchschelle (Abb. 6-5) sicher an der Öffnung befestigen und an eine Hochleistungsstaubabsaugung (mindestens 560 m³/h) anschließen.



Abb. 6-5 (Schlauch und Schlauchschelle nicht gezeigt)

6.7 Schleifmittel anbringen

Die korrekte und sichere Anbringung des Schleifbands an der Trommel ist ein entscheidender Faktor zur Erzielung einer hohen Schleifleistung bei der Verwendung der Zylinderschleifmaschine. Ein 76 mm breites Schleifband mit 80er Körnung ist an der Trommel vorinstalliert.

(TIPP: Wird ein Sekundärmarkt-Schleifmittel verwendet, ein neues, von TOOL FRANCE geliefertes Schleifband als Vorlage für das Zuschneiden einen neuen Bands verwenden. Den Spannhebel (Abb. 6-7) am äußeren (linken) Ende der Trommel drücken und das abgeschrägte Ende des Schleifbands wie in der Abbildung gezeigt durch den Schlitz in die Spannvorrichtung einführen. Ein etwa 75 mm langes Stück des Schleifbands in die Spannvorrichtung einführen. Das abgeschrägte Ende des Schleifbands so ausrichten, dass es bündig mit der linken Kante der Trommel abschließt.



Abb. 6-7

1. Den Spannhebel lösen, um das Schleifbandende zu sichern.
2. Nun beginnen, das Schleifband um die Trommel zu wickeln. Das abgeschrägte Ende des Schleifbands muss so dicht wie möglich an der Kante der Trommel verlaufen.
3. Das Schleifband spiralförmig weiter aufwickeln, indem die Trommel mit einer Hand gedreht und das Schleifband mit der anderen Hand geführt wird. Siehe Abb. 6-8.

Die übereinanderliegenden Wicklungen des Schleifbands dürfen sich nicht überlappen. Die Wicklungskanten müssen bündig mit den darüberliegenden Kanten abschließen bzw. es darf nur ein sehr kleiner Abstand zwischen ihnen liegen.



Abb. 6-8

4. Den inneren Aufwickelhebel (Abb. 6-9) drücken und das hintere Bandende so weit wie möglich einführen. Falls nötig das abgeschrägte Ende des Schleifbands abschneiden.
5. Den inneren Aufwickelhebel lösen, um das Schleifband zu sichern.

Alle Schleifbänder dehnen sich im Laufe der Zeit während ihres Gebrauchs. Sie dehnen sich u.U. so stark, dass der Aufwickelhebel seine unterste Position erreicht und die Spannung des Schleifbands daher nicht mehr aufrechterhalten werden kann. Tritt dies ein, den Aufwickelhebel wie oben beschrieben wieder in die richtige Position bringen.

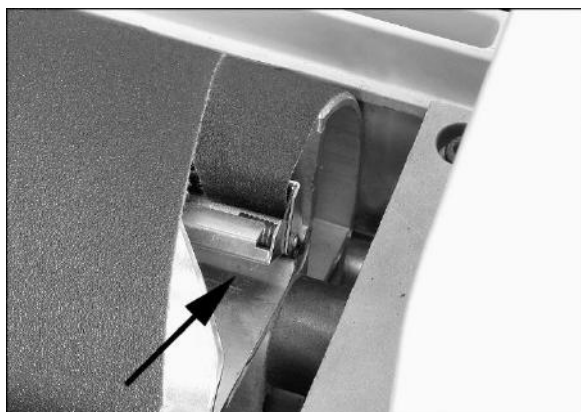


Abb. 6-9

7.0 Elektrische Anschlüsse



Alle elektrischen Anschlüsse dürfen nur von einem qualifizierten Elektriker gemäß allen am Einsatzort geltenden Vorschriften und Verordnungen durchgeführt werden. Bei Nichtbeachtung kann es zu schwerwiegenden Verletzungen kommen.

Die JWDS-1632-M hat einen Netzspannungsnennwert von 230 V. Die Holzschleifmaschine wird mit einem Stecker geliefert, der für die Verwendung einer geerdeten Steckdose ausgelegt ist.

Vor dem Anschluss an die Stromversorgung muss der Netzschalter *ausgeschaltet* (in der Stellung *OFF*) sein. Es wird empfohlen, die Holzschleifmaschine an einen separaten 16-A-Stromkreis mit Leistungstrennschalter oder Sicherung anzuschließen. Bei Anschluss an einen sicherungsgeschützten Stromkreis muss eine träge Sicherung mit der Kennzeichnung "T" verwendet werden.

Örtlich am Aufstell- bzw. Einsatzort bindende Vorschriften haben Vorrang vor ausgesprochenen Empfehlungen.

8.0 Einstellungen



Die Holzschleifmaschine muss vor dem Durchführen von Einstellungen von der Stromversorgung getrennt werden.

8.1 Höheneinstellung der Trommel

Trommelhöhe und Einstichtiefe werden mit der Höheneinstellkurbel eingestellt (siehe Abb. 5-1). Die Hebekurbel im Uhrzeigersinn drehen, um die Trommel abzusenken und entgegen dem Uhrzeigersinn, um sie anzuheben. Eine Umdrehung der Kurbel bewirkt eine Bewegung der Trommel um ca. 1,6 mm (eine Vierteldrehung = etwa 0,4 mm), wie auf dem Aufkleber unter der Kurbel angegeben.

8.2 Tiefenskala

Die Tiefenskala gibt den Abstand zwischen der Unterkante der Schleiftrommel und der Oberseite des Förderbands an. Die Einstellung wird durch "Nullen" der Skala vorgenommen.

1. Die Holzschleifmaschine von der Stromversorgung trennen.
2. Mit auf die Trommel aufgelegtem Schleifband die Trommel bis auf die Position absenken, an der sie das Förderband berührt.
3. In dieser Position muss der Zeiger der Tiefenskala genau auf die Null-Marke der Skala ausgerichtet sein. Ist sie die nicht, die beiden Schrauben (Abb. 8-1) lösen und die Skala anheben oder absenken, bis der Zeiger auf null steht.

4. Die Schrauben wieder anziehen.

Hinweis: Abhängig von der gewünschten Genauigkeit kann es erforderlich werden, diesen Prozess beim Anbringen verschiedener Schleifkörnungen zu wiederholen.



Abb. 8-1: Einstellen der Tiefenskala

8.3 Spannung/Führung des Förderbands

Während der Einlaufphase kann es zum Ausgleichen von Riemendehnung erforderlich werden, die Riemenspannung einzustellen.

8.3.1 Einstellung der Riemenspannung

1. Die Holzschleifmaschine von der Stromversorgung trennen.
2. Die Einstellmuttern der Aufwickel-Einstellschrauben (Abb. 8.2) mit einem 5-mm-Sechskantschlüssel einstellen. Dies auf beiden Seiten der Fördereinheit durchführen, um etwa die gleiche Spannung auf beiden Seiten des straffen Schleifbands zu erhalten.

HINWEIS: Bei unzureichender Riemenspannung rutscht das Förderband an der Antriebsrolle während des Schleifbetriebs durch. Das Förderband sitzt zu locker, wenn er während seines Laufs durch direkt von oben mit den Fingern auf den Riemen ausgeübten Druck gestoppt werden kann. Eine zu starke Riemenspannung kann zu verbogenen Rollen und Halterungen und/oder vorzeitigem Verschleiß der Buchsen des Förderbands führen.

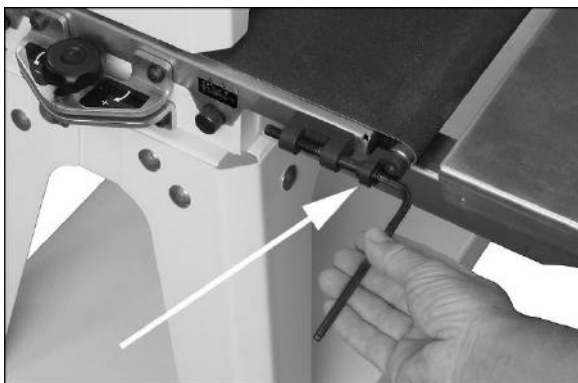


Abb. 8-2: Einstellung der Riemenspannung

8.3.2 Nachführeinrichtungen einstellen

Ein Riemen wird korrekt geführt, wenn er mittig auf den Förderrollen läuft und dabei nicht zu einer der beiden Seiten ausbricht. Die Nachführeinrichtung wird bei laufendem Förderband eingestellt.

1. Die Holzschleifmaschine von der Stromversorgung trennen.
2. Sicherstellen, dass die korrekte Riemenspannung erreicht ist (siehe Abschnitt 8.3.1).
3. Die Fördereinheit einschalten und auf Maximalgeschwindigkeit einstellen. Beobachten, ob eine Tendenz zur "Verschiebung" des Förderbands zu einer Seite der Fördereinheit hin besteht. Falls es sich verschiebt, die Einstellschraube für die Aufwicklung entsprechend anziehen bzw. lösen.

Hinweis: Die Einstellschraube für die Aufwicklung immer nur um jeweils 1/4-Drehung verstellen, nicht mehr. Abwarten, wie der Riemen auf die jeweilige Verstellung reagiert. Erst dann mit dem Justieren fortfahren. Andere Einstellvorgänge möglichst vermeiden, da sie sich auf die Riemenspannung auswirken können. Ändert sich die Spannung in einem nicht erwünschten Maß, kann es notwendig werden, zum Justieren beide Aufwickel-Einstellschrauben zu verwenden, um die korrekte Einstellung der Spannung und der Führung zu erreichen.

8.3.3 Nachführeinrichtungen

Die Holzschleifmaschine wird mit "Nachführeinrichtungen" geliefert. Dies sind keramische Führungselemente, mit deren Hilfe das Ausmaß der Justierung reduziert wird, das erforderlich ist, damit das Förderband mit korrekter Führung auf dem Fördertisch läuft (mittig ausgerichtet). Diese Nachführeinrichtungen sind mit einem magnetischen Träger versehen, damit sie an der richtigen Position bleiben. Ist eine Seite der Nachführeinrichtung abgenutzt, kann die Nachführeinrichtung umgedreht und weiter verwendet werden.

Siehe Abschnitt 11.0 Nachführeinrichtungen (Satz von 2 Stück) zu detaillierten Angaben zu Einstellung und Verwendung der Nachführeinrichtungen.

8.4 Ü berprüfen der Trommelausrichtung

Zur Gewährleistung der korrekten Funktion der Maschine muss die Schleiftrommel parallel zum Fördertisch ausgerichtet sein. Die Schleiftrommel wurde vom Hersteller vorausgerichtet. Falls ein Problem mit der Trommelausrichtung auftritt, ist wie folgt vorzugehen: Zunächst die Ausrichtung mit einer geeigneten Lehre überprüfen. In der nachstehend beschriebenen Vorgehensweise wird als Lehre ein Haarlineal verwendet.

1. Die Holzschleifmaschine von der Stromversorgung trennen.
2. Die Staubschutzabdeckung öffnen und das Schleifband von der Trommel abnehmen.
3. Die Lehre auf der Außenseite der Trommel (A, Abb. 8-3) zwischen Trommel und Fördertisch einführen.

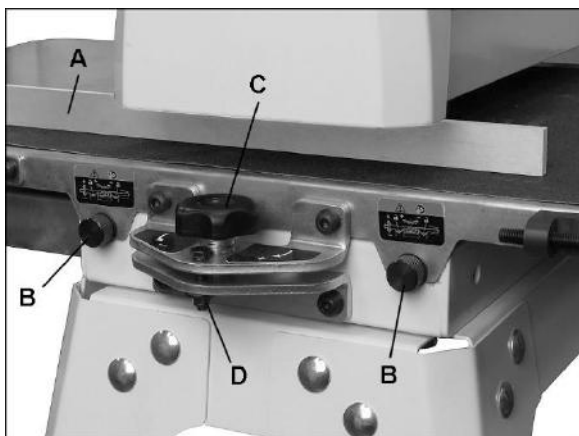


Abb. 8-3: Ausrichten der Trommel

4. Mit geöffneter Staubschutzabdeckung die Schleiftrommel absenken und die Trommel gleichzeitig mit der Hand drehen, bis die Trommel die Lehre leicht berührt.

HINWEIS: Sicherstellen, dass die Trommel selbst die Lehre berührt und nicht nur die Andruckrollen die Lehre berühren.

5. Die Lehre entfernen und auf der Innenseite unter der Trommel platzieren.
6. Berührt die Trommel die Lehre an beiden Trommelenden nicht mit dem gleichen Maß, ist eine Neuausrichtung erforderlich.

Zum Ausrichten des Fördertischs auf die Trommel:

7. Beide Tisch-Feststellschrauben (B, Abb. 8) lösen.

VORSICHT

Beide Tischverriegelungen vor dem Trommelausrichtvorgang lösen.

8. Den Knauf (C) drehen, um die Tischaußenseite anzuheben bzw. abzusenken. Die Richtungsmarken auf dem Aufkleber (+ für Anhebung, - für Absenkung) beachten.
9. Die Tisch-Feststellschrauben (B) wieder anziehen.

8.4.1 Feinjustieren der Trommelausrichtung

Hinweis: Hier wird ein Betriebstest für das Schleifen von Platten beschrieben, die breiter als die Trommel sind. Dieses Verfahren erst ausführen, wenn Sie voll und ganz mit Betrieb und Bedienung dieser Holzschleifmaschine vertraut sind.

Wenn die zu schleifenden Platten breiter sind als die Trommel ist die Tischausrichtung ein entscheidender Faktor und der Tisch muss absolut eben ausgerichtet sein und an der Außenseite geringfügig tiefer. Damit wird die Bildung von Graten auf dem Schleifgut vermieden. Vor dem Schleifen des eigentlichen Werkstücks einen Test mit einem Stück Ausschussholz durchführen.

1. Eine Ausschussholzplatte mit einer Breite von ca. 150 mm und einer Länge von 700 mm bis 1000 mm seitlich durch die Holzschleifmaschine laufen lassen, so dass das Plattenende über die Trommelaußenseite übersteht.
2. Dann - ohne Änderung der Trommelhöhe - die Platte um 180° drehen und die gleiche Seite schleifen.
3. Ist ein Grat an der Trommelüberlappungsstelle sichtbar, den Tisch durch Drehen des Knaufs (C, Abb. 8-3) an der nach außen zeigenden Seite absenken.
4. Diesen Vorgang wiederholen, bis der Grat nicht mehr vorhanden ist und die gesamte Platte geschliffen ist.

Hinweis: Beim Schleifen von schmalen Schleifgut (Breite unter 406 mm) den Fördertisch wieder in die Parallelposition bringen. Den Knauf in die entgegengesetzte Richtung drehen, bis die Sicherungsmutter (D, Abb. -3) berührt wird.

Die Sicherungsmutter ist ein Festanschlag für die Kontrolle der parallelen Tischausrichtung.

8.5 Andruckrolle einstellen

Die Zustellrolle und die Auslaufrulle stehen unter mechanischer Spannung, damit zur Vermeidung von Rutschbewegungen der Zustell Fördereinheit ein abwärts gerichteter Druck auf das Werkstück ausgeübt wird. Es wurden vom Hersteller Andruckrollen montiert und voreingestellt. Diese Rollen müssen jedoch nach längerem Einsatz der Holzschleifmaschine überprüft und ggf. nachgestellt werden.

WARNUNG

Falsch eingestellte Andruckrollen (z.B. zu hoch eingestellte und damit nicht funktionsfähige Andruckrollen) können zu einem Rückstoß der geschliffenen Werkstücke führen.

Der Andruckrollendruck kann durch Drehen der Stellschrauben an den Halterungen der Andruckrollen erhöht bzw. verringert werden (siehe Abb. 8-4).

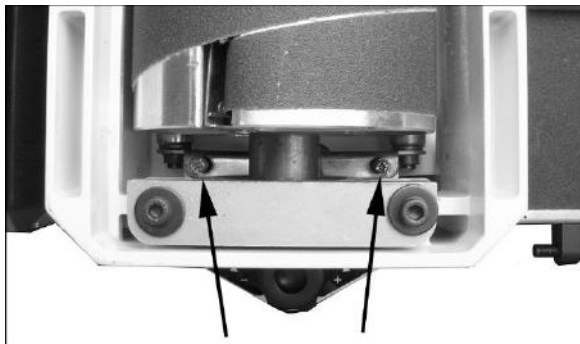


Abb. 8-4: Spannungseinstellschrauben

Ein zu hoher Andruckrollendruck kann zu einem Fehler führen, der als Linie sichtbar ist, die über die gesamte Breite der Platte verläuft und sich in ca. 60 mm Abstand zum Plattenende befindet.

Ist diese Fehlerlinie am vorderen Ende der Platte sichtbar, muss die Auslauf-Andruckrolle neu eingestellt werden. Ist eine solche Fehlerlinie am hinteren Ende der Platte sichtbar, muss die Zustell-Andruckrolle neu eingestellt werden.

9.0 Bedienung und Betrieb

Vor der Verwendung der Zylinderschleifmaschine die Abschnitte zum Aufstellen und zur Ersteinrichtung noch einmal lesen. Vor dem Starten des Betriebs sicherstellen, dass ein Schleifband angebracht wurde und dass ein geeignetes Staubabsaugsystem angeschlossen ist.

9.1 Grundlegende Bedienschritte

1. Die Schnitttiefe festlegen.
2. Das Staub-Absaugsystem einschalten.
3. Den Netzschalter einschalten.
4. Die Schleiftrommel starten.
5. Die Fördereinheit starten und die Vorschubgeschwindigkeit wählen.
6. Schleifgut durch die Maschine zustellen.

Um ein Schleifgut durch die Holzschleifmaschine laufen zu lassen, die zu schleifende Platte auf das Förderband legen und festhalten, damit das Förderband in die Öffnung über der Trommel hineinragen kann. Nachdem das Schleifgut halb durch ist, stellen Sie sich an die Auslaufseite der Maschine, um den Austrag der zu sägenden Platte zu kontrollieren und sie aufzunehmen.

VORSICHT

Zu Beginn des Zustellvorgangs wird die zu sägende Platte nach unten auf den Fördertisch gedrückt. Hierbei besteht für den Bediener Einklemm- und Quetschgefahr für Finger und Hände. Hände und Finger fernhalten.

VORSICHT

Die Trommelschutzhaube erst dann öffnen, wenn die Trommel vollständig zum Stillstand gekommen ist.

9.2 Der Betrieb des Trommel- und Riemenmotors

1. Die Maschine an das Stromversorgungsnetz anschließen.
2. Den Hauptnetzschalter (A, Abb. 9-1) durch festes Drücken einschalten.
3. Den Kippschalter (B, Abb. 9-1) umlegen, um den Trommelmotor zu starten.
4. Den Geschwindigkeitsregelknopf (C, Abb. 9-1) der Fördereinheit zum Starten sowie zum Erhöhen der Geschwindigkeit im Uhrzeigersinn drehen.

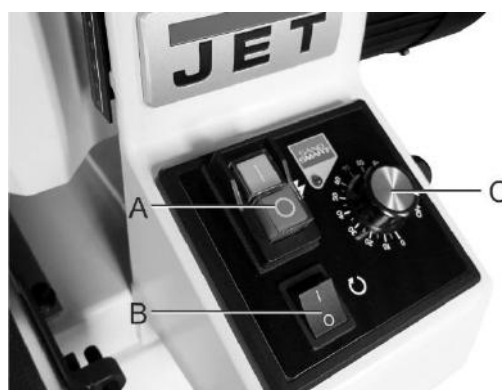


Abb. 9-1: Bedientafel

9.3 Schnitttiefe einstellen

Durch das Einstellen der Zylinderschleifmaschine auf korrekten Kontakt zwischen Schleifband und Schleifgut wird die Schnitttiefe bestimmt. Die Schnitttiefe wird mit der Kurbel für Höhenverstellung reguliert.

Zur Bestimmung der korrekten Schnitttiefe kann ein "Ausprobieren" unter Berücksichtigung der Variablen Schleifbandkörnung, Holztyp und Vorschubgeschwindigkeit erforderlich sein. Zum Erzielen der bestmöglichen Ergebnisse und zur Erprobung der Schleifarbeit Ausschussholz verwenden, um sich Fertigkeiten und detaillierte Kenntnisse durch Übung anzueignen und mit der Maschine vertraut zu werden. Erst dann die eigentliche Fertigbearbeitung ausführen.

Die korrekte anzuwendende Schnitttiefe hängt von mehreren miteinander kombinierten Variablen ab. Diese sind:

1. Schleifmitteltyp und -körnung.
2. Breite des zu bearbeitenden Werkstücks.
3. Werkstückhärte.
4. Vorschubgeschwindigkeit des Förderbands.

HINWEIS: Für Schnitte von nur max. 1/16" wird die Verwendung einer Träger- oder Grundplatte (nicht mitgeliefert) empfohlen. Dies ist eine flache Platte, normalerweise aus Holz oder MDF und etwas größer als das zu bearbeitende Werkstück, jedoch von gleicher Stärke. Sie wird bei der Zustellung durch die Holzschleifmaschine unter das Werkstück gelegt. Das Werkstück kann mit Gummikitt, Spezialklebeband oder einem anderen geeigneten, leicht entfernbaren Klebstoff befestigt werden. Einige Anwender benutzen jedoch eine Trägerplatte mit Gummi- oder Strukturoberfläche, um das Werkstück durch Reibungskraft zu fixieren.

9.4 Trommelhöhe festlegen

Im Folgenden ist ein gute Faustregel für das Schleifen mit einer feineren Körnung als 80 aufgeführt:

1. Zum Ermitteln der Trommelhöhe das Schleifgut unter der Trommel positionieren. Die Trommel NICHT starten.
2. Die Trommel auf Schleifgutstärke absenken. Sicherstellen, dass die Trommel noch mit der Hand gedreht werden kann, wenn sie das Schleifgut gerade eben berührt.



Die Trommel nicht starten, wenn sie das Schleifgut berührt.

3. Wird die Trommelhöhe nicht geändert, die Fördereinheit einschalten und das Schleifgut aus dem Bereich von unter der Trommel herausbewegen. Die Schleiftrommel starten und das Schleifgut in eben dieser Position schleifen.
4. Bei laufender Trommel das Schleifgut von der Zustellseite aus und gegen die Trommeldrehrichtung unter die Trommel bewegen. Stets sicherstellen, dass sich das Schleifgut nicht bewegen kann, damit es nicht zu Rückstoß oder Verrutschen kommt.

HINWEIS: Wird der Motor während des Betriebs heiß, ist die Schnitttiefe u.U. zu groß für die verwendete Körnung und/oder die Vorschubgeschwindigkeit ist zu hoch.

Zum Schleifen mit einer gröberen Körnung als 80 kann die Trommel leicht abgesenkt werden.

Stets sicherstellen, dass sich das Schleifgut nicht bewegen kann. Im Laufe der Zeit erlernen Sie durch Übung und Erfahrung die Ermittlung der korrekten Schnitttiefe unter Berücksichtigung der obigen Variablen.

9.5 Wählen der Vorschubgeschwindigkeit für SandSmart™

Eine höhere Vorschubgeschwindigkeit ermöglicht schnelleres Schleifen, jedoch mit weniger Umdrehungen der Trommel pro geschliffener Strecke (mm/"). Eine niedrigere Vorschubgeschwindigkeit ermöglicht mehr Umdrehungen der Trommel pro geschliffener Strecke (mm/") für eine höhere Schnitttiefe und leichtgängiges Schleifen.

Beginnen Sie beim probeweisen Schleifen mit einer auf 40% bis 50% des Maximalwert eingestellten Vorschubgeschwindigkeit. Die Wahl der am besten geeigneten Vorschubgeschwindigkeit hängt von einer Reihe von Faktoren ab. Dazu gehören Schleifguttyp, Körnung und Schnitttiefe; ferner auch die Art der Zustellung: direkt in einer Flucht mit dem Fördertisch oder in einem bestimmten Winkel. Wird der Motor heruntergeregelt, rutscht das Förderband durch oder werden wellige Bereiche auf der Schleifgutoberfläche festgestellt, muss die Vorschubgeschwindigkeit verringert werden. Bei glatter Oberflächengüte und nicht zu starker Beanspruchung der Maschine kann auch mit höheren Vorschubgeschwindigkeit experimentiert werden.

Die SandSmart-Steuerung führt eine ständige Überwachung der Last des Trommelmotors durch und regelt die Drehzahl des Fördermotors zur Aufrechterhaltung der ohne Überlast möglichen höchsten Vorschubgeschwindigkeit. Leuchtet die rote Anzeigelampe (B, Abb. 9-2) auf, hat die SandSmart-Steuerung eine zu große Schnitttiefe und/oder eine zu hohe Vorschubgeschwindigkeit erfasst. Nimmt die Last des Trommelmotors zu, verringert die SandSmart-Steuerung die Vorschubgeschwindigkeit der Fördereinheit und stoppt sie bei extremen Bedingungen. Nimmt die Last des Trommelmotors ab, erhöht die SandSmart-Steuerung die Vorschubgeschwindigkeit, jedoch nicht höher als die manuell vorgenommene Geschwindigkeitseinstellung. Die beste und durchgängig hohe Oberflächengüte wird erzielt, wenn die Geschwindigkeit der Fördereinheit während des Betriebs nicht geändert wird.



Abb. 9-2

Diese Änderung der Geschwindigkeit der Fördereinheit kann sich negativ auf die Oberflächengüte auswirken.

Bei einer solchen Beeinträchtigung muss ein weiterer Schleifdurchgang ohne Änderung von Einstellungen ausgeführt werden. Ist die Oberflächengüte immer noch beeinträchtigt, Anpassungen durch Verlangsamen der Fördereinheit und/oder Verringern der Schnitttiefe und erneutes Durchlaufenlassen des Schleifguts vornehmen.

Ferner eine höhere Vorschubgeschwindigkeit oder eine geringere Schnitttiefe versuchen, wenn sich auf dem Schleifgut Brandmarken zu zeigen beginnen. Bei Kirschholz, Felsahornholz

oder anderen Harthölzern bewirken eine geringere Schnitttiefe und eine höhere Vorschubgeschwindigkeit eine Minimierung der Brandmarken. Durch eine leichte Anwinkelung des Schleifguts beim Zustellen in die Maschine kann Brandmarken auf dem Schleifgut ebenfalls vorgebeugt werden.

Aufgrund der großen Anzahl der Variablen ist es wichtig, Erprobungen anhand der spezifischen Bedingungen durchzuführen, um die optimale Vorschubgeschwindigkeit zu ermitteln. Treten Probleme auf, zunächst die Vorschubgeschwindigkeit überprüfen und anpassen. Dazu die Erläuterungen im Abschnitt "Fehlersuche" dieses Handbuchs durchlesen.

9.6 Tipps zum Erzielen der optimalen Leistung

Die Vielseitigkeit, die schon durch Entwurf und Konstruktion ein Hauptmerkmal der Holzschleifmaschine JWDS-1632 ist, ermöglicht ihren Einsatz bei einer großen Anzahl unterschiedlicher Anwendungen und Aufgaben, was sich durch eine schnelle Amortisierung bezahlt macht. So werden beispielsweise Feinschleifarbeiten, die häufig mit langsameren Handschleifapparaten mit hohem Schleifstaubaufkommen ausgeführt werden, beschleunigt. Diese Holzschleifmaschine kann zur Oberflächenbearbeitung von figurierten Hölzern - z.B. Vogelaugenahorn oder Riegelahorn - verwendet werden, ohne dass Oberflächenschäden verursacht werden. Würden diese Hölzer eine Hobelmaschine durchlaufen, würden sie beschädigt.

Wenn Sie lernen, wie die verschiedenen Einstellmöglichkeiten und Regelungen genutzt werden, ermöglicht Ihnen dies eine exakte Feinabstimmung zur Erzielung der bestmöglichen Ergebnisse. Die besten Resultate ergeben sich aus der Erprobung verschiedener Schleifkörnungen und Maschineneinstellungen zur optimalen Anpassung an die jeweils auszuführende Aufgabe. Nachfolgend finden sie hilfreiche Tipps, die Ihnen bei der Steigerung der Leistungsfähigkeit Ihrer Holzschleifmaschine helfen.

9.6.1 Staubabsaugung

Beim Anschließen von Staubabsaugsystemen ist zu beachten, dass es bei geradlinigen Rohrleitungen nicht so sehr zu einer Beschränkung ("Einschnürung" des Luftstroms kommt wie beim Einsatz von Schläuchen. Hosenstücke (Y-Stücke) und Rohrbögen schränken den Luftstrom weniger ein als T-Stücke. Außerdem sollten auch Schläuche mit einem Durchmesser von weniger als 80 mm nicht verwendet werden.

9.6.2 Schleifdurchgänge mit mehreren Werkstücken

Beim Schleifhobeln einer Reihe ähnlicher Teile, die alle auf die gleiche Stärke bearbeitet werden sollen, ist es am besten, die Stärke des dünnsten Teils zu ermitteln und alle Teile in einem Durchlauf auf eben diese Stärke zu bearbeiten. Es ist zu beachten, dass die Holzschleifmaschine Erhebungen vom Werkstück entfernt; dies muss beim Messen und Bearbeiten des Schleifguts auf die gleiche Stärke berücksichtigt werden.

9.6.3 Gleichzeitiges Schleifen mehrerer Werkstücke

Werden mehrere Werkstücke gleichzeitig geschliffen, sicherstellen, dass die Teile versetzt auf dem Förderband platziert werden. Auf diese Weise ist ein besserer Kontakt mit den Andruckrollen gegeben. Möglichst nur Werkstücke ähnlicher Stärke bearbeiten.

Gibt es erhebliche Stärkenunterschiede, können die dünneren Werkstücke auf dem Förderband ins Rutschen geraten. Ist dies der Fall, ist kein Kontakt mit den Andruckrollen mehr gegeben. Außerdem beachten, dass Werkstücke, die stärker als 20 mm sind, länger sein müssen als der empfohlene Mindestwert, damit das Werkstück nicht kippt.

9.6.4 Kanten schleifen

Beim Kantenschleifen bildet die Holzschleifmaschine die Form der gegenüberliegende Kante des auf dem Förderband liegenden Schleifguts nach. Daher ist es wichtig, dass die Schleifgutkante vor dem Schleifprozess im korrekten Winkel zur Vorderseite eingeschnitten wurde. Beim Kantenschleifen von Schleifgut von weniger als 20 mm Breite bzw. mehr als 50 mm Höhe ist es eine effiziente Praktik, mehrere Werkstücke übereinanderzulegen und zusammenzuklemmen, damit sie auf dem Förderband nicht rutschen oder kippen.

9.6.5 Unregelmäßig geformtes Schleifgut schleifen

Beim Schleifen von Schleifgut mit Erhebungen müssen die Erhebungen nach oben zeugen. Dadurch wird das Schleifgut stabilisiert und kann während des Schleifvorgangs nicht kippen oder wackeln.

Nach dem Entfernen der Erhebungen das Schleifgut umdrehen und die gegenüberliegende Seite schleifen. Zur Vermeidung von Körperverletzungen ist beim Schleifen von Schleifgut, das verdreht, gebogen oder anderweitig zwischen seinen Enden unterschiedliche Stärken aufweist, besondere Vorsicht geboten. Falls möglich, solches Schleifgut während der Bearbeitung abstützen, damit es nicht verrutscht oder kippt. Durch zusätzliche Rollenhalter, Unterstüzung durch Helfer oder Ausüben von Druck mit der Hand auf das Schleifgut potenzielle Gefahrensituationen minimieren.

9.6.6 Frontrahmen und Kassettentüren

Es ist sehr wichtig, bei solchen Schleifarbeiten für korrekten Schleifkontakt zu sorgen. Wird die Maschine auf eine zu große Schnitttiefe eingestellt, kann dies zu unerwünschten Nuten oder Einsenkungen führen, wenn die Übergänge zwischen Türschieben (Schleifen über die volle Breite) und kleinen Bereichen des senkrechten Rahmenholzes geschliffen werden. Zur Vermeidung dieses Problems bei der Verwendung von Schleifkörnungen, die feiner als 80 sind, sicherstellen, dass die Trommel in Kontakt mit dem Holz ist, die Trommel aber noch von Hand gedreht werden kann. Wenn ausreichend Freiraum vorhanden ist, kann es in diesem Fall auch hilfreich sein, das Schleifgut beim Zuführen auf das Förderband anzuwinkeln. Einsenkungen oder Nuten können durch Verringerung der Förderergeschwindigkeit beim Erreichen einer Abstufung im Schleifgut vermeiden werden. Damit wird dem Schleifband ermöglicht, auf der größeren Breite mit weniger Kraftaufwand zu schleifen und es kann eine gleichmäßigere Oberfläche erzielt werden.

9.6.7 Schleifgut-Zustellwinkel

Einige Teile müssen der Maschine aufgrund ihrer Abmessungen mit einem Winkel von 90° (im rechten Winkel zur Trommel) zugeführt werden. Auch ein kleiner Schleifgutversatzwinkel trägt jedoch bereits zu einem effizienteren Materialabtrag bei. Der optimale Schleifgutzustellwinkel beträgt ca. 60°.

Das Anwinkeln des Werkstücks für den Materialabtrag bietet weitere Vorteile, wie z.B. eine geringere Last auf bestimmte Trommelbereiche infolge von Klebefugen oder mineralischen Adern im Schleifgut, gleichmäßigere Abnutzung von Schleifbändern, potenziell höhere Vorschubgeschwindigkeiten und niedrigere Motorlasten.

Es ist zu beachten, dass das Schleifgut zum Erzielen des besten Oberflächenfeinschliffs so durch die Maschine laufen muss, dass der letzte bzw. die letzten beiden Schleifdurchgänge in der gleichen Richtung erfolgen wie die Maserung des Holzes.

10.0 Wartung seitens des Anwenders

⚠ WARNING

Vor Wartungsarbeiten an der Maschine muss sie von der Stromversorgung getrennt werden (Stecker abziehen), sofern nichts anderes angegeben ist. Bei Nichtbeachtung kann es zu schwerwiegenden Verletzungen kommen.

10.1 Reinigung und Schmierung

Zum Erzielen optimaler Ergebnisse muss die Reinigung der Schleifmaschine Bestandteil der regelmäßigen Werkstattoutine sein. Wird eine übermäßige Anhäufung von Staub und Schuttteilchen gestattet, kann sich dies infolge von Zusetzung des Schleifbands, Rutschgefahr auf dem Fördertisch und/oder Ansammlung von Fremdpartikeln im Inneren der Trommeln und infolgedessen auftretender Schwerpunktverlagerung oder Asymmetrie negativ auf das Leistungsvermögen der Holzschleifmaschine auswirken.

Beim Entfernen von Staub von den Trommeln das Staubabsaugsystem eingeschaltet lassen. Außerdem das Förderband nach den Reinigungsarbeiten mit einer Bürste säubern. Wird es nicht gereinigt, kommt es während des Schleifbetriebs u.U. zu Bandschlupf.

HINWEIS: Alle Lager sind dauergeschmiert und versiegelt. Es ist keine Schmierung erforderlich.

- Die Buchsen der Fördereinheit bei Bedarf schmieren und auf Verschleiß überprüfen.
- Die Gewindeleitspindel (A, Abb. 10.1) bei Bedarf schmieren.
- Den Schleifstaub vom Schleifband entfernen und Staub vom Förderband abbürsten.
- Die Gleitbereiche sauberhalten (B, Abb. 10-1).
- Staub aus den Motoren und Schaltern herausblasen. Staub aus dem Schleiftrommelinneren herausblasen, da dieser Vibrationen oder Schwerpunktverlagerungen verursachen kann.
- Alle Feststellschrauben an Komponenten wie Lagern und Kupplungen sowie am Fördertisch auf festen Sitz überprüfen.

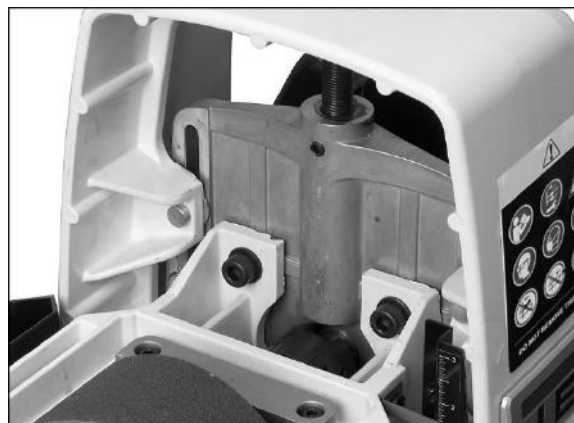


Abb. 10-1

10.2 Wartung der Trommel

Die Trommel muss unter normalen Umständen nicht aus der Maschine ausgebaut werden. Sollte dennoch einmal eine Wartung erforderlich werden, wurde die Trommel für leichten und einfachen Aus- und Wiedereinbau konstruiert.

Die vier Innensechskantschrauben entfernen (C, Abb. 10-2). Die Trommel mit noch an ihr angebaute Kupplung (D) vorsichtig herausheben.

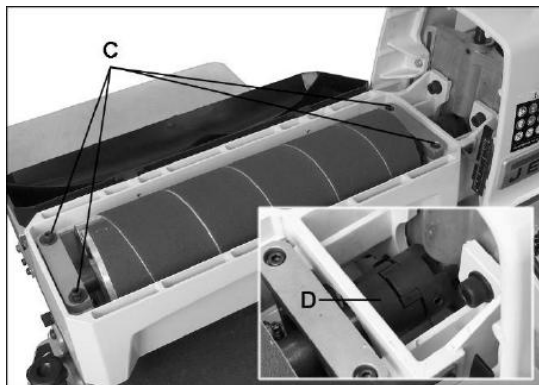


Abb. 10-2: Ausbau der Trommel

10.3 Förderband auswechseln

1. Die Holzschleifmaschine von der Stromversorgung trennen.
2. Die Trommel in die höchste Position anheben.
3. Die Aufwickel-Einstellschrauben (Abb. 8-2) auf beiden Seiten der Fördereinheit drehen, um die Riemenspannung zu lösen und dann die Abtriebsrolle ganz nach innen schieben.
4. Die zwei (2) Schrauben, mit denen der Fördertisch am Sockel befestigt ist, lösen.
5. Die zwei (2) Schrauben, mit denen der Fördertisch an der Trommel-Ausrichthalterung (E, Abb. 10-3) befestigt ist, lösen.
6. Die zwei Verriegelungen (F, Abbildung 10-3) lösen.
7. Den Fördertisch anheben und von der Maschine abnehmen. Vorsichtig vorgehen, damit sich keine Riemeneinrisse unter dem Fördertisch bilden. Darauf achten, dass die Nachführeinrichtungen nicht herunterfallen, da sie anderenfalls u.U. zerbrechen.
8. Die Fördereinheit auf die Motorseite schieben und das Förderband vom Fördertisch entfernen.
9. Den neuen Riemen zusammen mit den Nachführeinrichtungen (siehe Abschnitt 11.0) anbringen und den Fördertisch wieder anmontieren. Den neuen Riemen spannen und in die Führungen einsetzen.

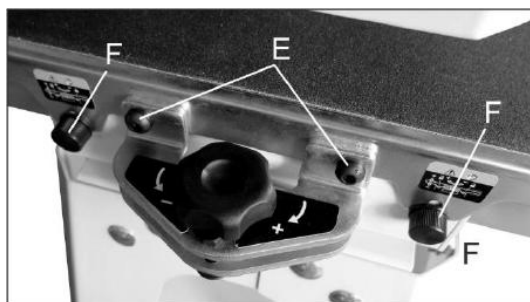


Abb. 10-3

Hinweis: Läuft das Förderband kontinuierlich zu einer Seite der Maschine hin, kann ein Seitentausch des Riemens am Fördertisch dieses Problem beheben. Eine Wasserwaage auf den Fördertisch legen, um sicherzustellen, dass der Fördertisch nicht schief steht. Die Maschine bei Bedarf nivellieren. Falls das Problem weiterhin auftritt, wie folgt vorgehen:

Schritt 1: Kontrollieren, ob die Antriebsrolle und die Abtriebsrolle der Fördereinheit parallel zur Fördertischoberfläche verlaufen. Dazu zunächst das Förderband auf dem Fördertisch zentrieren. Dann auf der linken Seite (der Außenseite) des Fördertischs ein Haarlineal so an die freiliegende Kante des Fördertischs anlegen, dass es über die Rolle hinausragt. Auf korrekten Abstand zwischen Rolle und Haarlineal achten.

Schritt 2: Nun Schritt 1 auf der rechten Seite (Innenseite) der Fördereinheit wiederholen. Die auf den beiden Seiten gemessenen Werte miteinander vergleichen. Stimmen sie nicht überein, einen der Rollenhalter lösen. Diese Halterung neigen, bis der Abstand zwischen Rolle und Haarlineal auf beiden Seiten gleich groß ist. Danach die Halterung wieder festziehen.

10.4 Überprüfung der Kommutatorbürste

Zur Aufrechterhaltung der Motoreffizienz die zwei Kohlebürsten alle zwei Monate oder, bei häufigem Einsatz der Holzschleifmaschine, häufiger überprüfen. Verschlissene Kohlebürsten können zu Symptomen wie z.B. dem Absterben bzw. zu Stromausfällen des Motors führen. Falls eine Bürste verschlissen ist, beide Bürsten austauschen.



Die fortwährende Nutzung von beschädigten oder verschlissenen Bürsten kann zu Schäden am Motoranker führen.

1. Die Holzschleifmaschine von der Stromversorgung trennen.
2. Die Kappe mit einem Schlitzschraubendreher ausschrauben und entfernen. Siehe Abb. 10-4.

3. Eine Kante des Messingclips vorsichtig hochhebeln, bis der Clip infolge der Federwirkung aus der Öffnung springt.
(Beim Ausbau auf die Ausrichtung der Bürste achten, da diese beim Wiedereinbau beibehalten werden muss. Die Wölbung der Bürste muss der Wölbung des Motors entsprechen.) Die Bürste herausziehen und überprüfen. Die Bürste sollte ausgetauscht werden, wenn einer der folgenden Punkte festgestellt wird:
 - Die Bürste ist verschlissen und nur noch 13 mm lang.
 - Anzeichen von Abbröckelung, Verbrennung oder Bruchstellen.
 - Am Bürstenende befinden sich raue oder löchrige Stellen.
 - Anormale Farbe der Feder
 - Lasche in der Feder gebrochen
 - Feder zusammengedrückt und defekt
4. Eine neue Bürste einsetzen (bzw. die aktuell verwendete Bürste wieder anbringen) und vorsichtig bis zum Anschlag in die Öffnung hineindrücken, bis der Messingclip einrastet und fest sitzt.
5. Die Kappe anbringen.
6. Den Vorgang für die andere Bürste wiederholen.

HINWEIS: Es wird empfohlen, die Schleifmaschine zum Einlaufen der neuen Bürsten einige Minuten lang ohne Last zu betreiben.

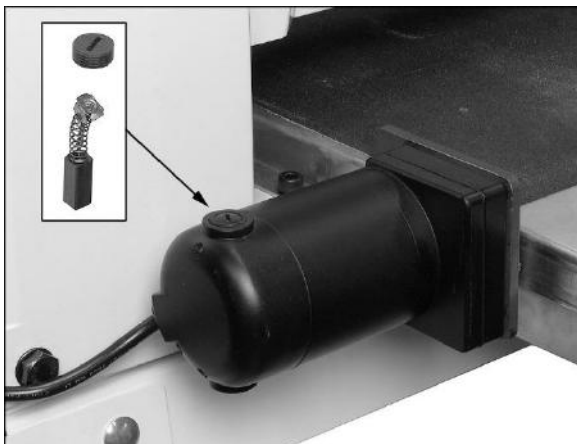


Abb. 10-4

10.5 Zusätzliche Wartung

Alle zusätzlich erforderlichen Wartungsarbeiten müssen von einem autorisierten Servicetechniker durchgeführt werden.

11.0 Nachführeinrichtungen (Satz von 2 Stück)

Bestell-Nr.: PM2244-213

Dank der Nachführeinrichtungen muss das Förderband erheblich weniger oft auf korrekte Bandführung nachjustiert werden. Sie sind in Ihrer Holzschleifmaschine bereits installiert. Die folgenden Erläuterungen sind für den Fall vorgesehen, in dem die Nachführeinrichtungen justiert oder ausgetauscht werden müssen.

1. Die Holzschleifmaschine von der Stromversorgung trennen.
2. Die Trommel in die höchste Position anheben.
3. Die Aufwickel-Einstellschrauben auf beiden Seiten der Fördereinheit drehen, um die Riemenspannung zu lösen und dann die Abtriebsrolle ganz nach innen schieben.
4. Die vier Schrauben, mit denen der Fördertisch am Sockel der Holzschleifmaschine befestigt ist, ausschrauben.
5. Den Fördertisch anheben und aus der Holzschleifmaschine herauschieben. Den Fördertisch umdrehen. Dabei vorsichtig vorgehen, um das Förderband nicht zu beschädigen.
6. Auf der Unterseite des Fördertischs sind U-förmige Kanäle angeschweißt. Die Nachführeinrichtung befindet sich auf der Innenseite des ersten U-Kanals auf der Zustellseite der Holzschleifmaschine (App.11-1). Die Rückseite der Nachführeinrichtung ist magnetisiert und haftet fest an der Seitenwand des Fördertischs. Die Nachführeinrichtung nicht installieren, wenn die Kante des Förderbands beschädigt oder eingerissen ist.
7. Dank der Nachführeinrichtungen muss das Förderband erheblich weniger oft auf korrekte Bandführung nachjustiert werden.
Hinweis: Bei korrekt installierter Nachführeinrichtung ist nur ihr unterer Ansatz sichtbar. Die obere Schlitzöffnung kann verwendet werden, wenn die untere Schlitzöffnung abgenutzt ist.
8. Die zweite Nachführeinrichtung genau gegenüber der ersten anbringen. Beide Nachführeinrichtungen verwenden; es sei denn, die zweite Nachführeinrichtung passt nicht in die Fördereinheit oder das Förderband ist beschädigt.
9. Den Fördertisch drehen (rechte Seite nach oben) und korrekt auf der Holzschleifmaschine ausrichten. Die drei Befestigungsschrauben wieder anbringen und festziehen. Vorsicht ist geboten, damit die Nachführeinrichtung(en) beim Umdrehen der Fördereinheit nicht herausfallen. Dadurch können die Nachführeinrichtungen zerbrechen.
10. Sicherstellen, dass alle Schalter ausgeschaltet sind. Die Holzschleifmaschine an die Stromversorgung anschließen und den Motorstecker einstecken.
11. Das Förderband mithilfe der Aufwickel-Einstellschrauben spannen. Wenn beide Nachführeinrichtungen installiert sind, ist sehr wichtig, dass die Spannung auf beiden Seiten des Förderbands gleich groß ist. Die Aufwickel-Einstellschrauben auf beiden Seiten drehen, bis die gleiche Spannung erreicht ist.
12. Zur Überprüfung der Spannung die Fördereinheit mit höchster Drehzahl betreiben und beide Hände auf die Fördereinheit legen. Kann das Förderband gestoppt werden, die Spannungseinstellung fortführen, bis das Förderband höchster Drehzahl nicht mehr mit beiden Händen auf dem Band gestoppt werden kann.

13. Sicherstellen, dass das Förderband problemlos in die Schlitzöffnung der Nachführeinrichtung hineinläuft und dass diese vom Magneten in ihrer Position gehalten wird.
14. Den Führungsvorgang des Förderbands weiter beobachten und nur bei Bedarf nachjustieren. Dabei sicherstellen, dass die Spannung des Förderbands stets gleich bleibt und dass das Förderband nicht unter dem Fördertisch nachgibt.

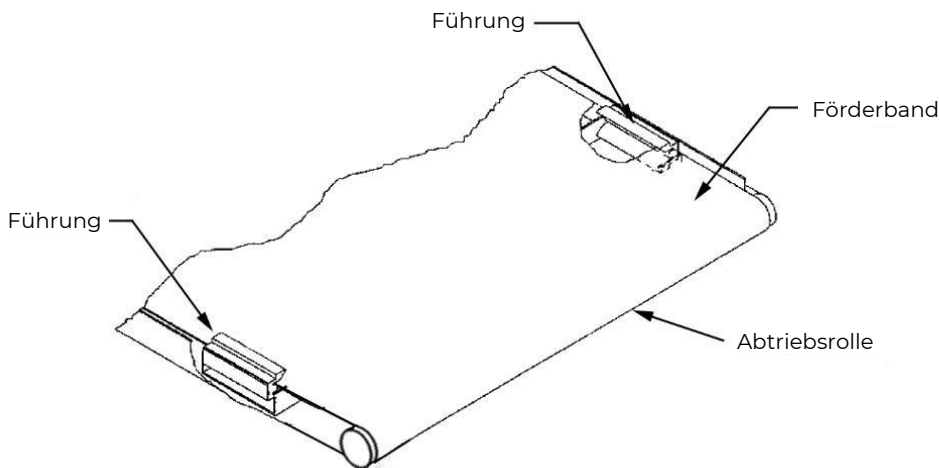


Abb. 11-1: Unterseite der Fördereinheit

12.0 Schleifmittel

Das von Ihnen ausgewählte Schleifmittel hat großen Einfluss auf die Leistungsfähigkeit Ihrer Holzschleifmaschine. Unterschiede bei Papiertyp, Gewicht, Beschichtung und Widerstandsfähigkeit tragen zur gewünschten Oberflächengüte bei.

12.1 Trommel-Schleifmittel auswählen

Es ist wichtig, die richtige Körnung des Schleifmittels für die jeweils auszuführende Schleifarbeit zu wählen, um bestmögliche Ergebnisse zu erzielen. Wie bei jedem Schleifprozess mit einer gröberen Körnung beginnen - abhängig von der Rauigkeit des Schleifguts bzw. der Materialabtragmenge. Danach sollte der Bediener sich nach und nach zu immer feineren Körnungen durcharbeiten. In der nachstehenden Tabelle sind die allgemeinen Anwendungszwecke der verschiedenen Körnungen aufgeführt.

Die Materialabtragmenge ist ein wesentlicher Faktor bei der Auswahl der Körnung, mit der der Schleifprozess begonnen wird. Die Körnungen 24, 36, 50 und 60 sind in erster Linie für Materialabtrag ausgelegt. Mit den Körnungen 24 und 36 wird am meisten Material in einem Durchgang abgetragen, unabhängig davon, ob Schleifhobeln, Versäubern von Klebeflächen oder Glätten durchgeführt wird. Die Körner 100 bis 220 sind in erster Linie Körnungen für das Fertigschleifen für das Entfernen des Kratzmusters der vorher benutzten Körnung.

Zur Erzielung der besten Ergebnisse beim Durchlaufen einer aus mehreren Schritten bestehenden Schleifsequenz niemals mehr als eine Körnung auslassen.

Für Feinarbeiten wie z.B. Schleifen an Möbelstücken während des Schleifprozesses möglichst keine Körnung auslassen.

Im Allgemeinen wird mit höchst- und hochwertigen Schleifmitteln eine höhere Oberflächengüte mit weniger auffälligem Kratzmuster erzielt.

Hinweis: Zu feine Körnungen können in einigen Fällen das Holz so stark glätten bzw. glanzschleifen, dass eine Hochglanzfläche entsteht, die Beizen nicht gleichmäßig aufnimmt. Dies ist je nach Holz unterschiedlich. Eichenholz beispielweise ist aufgrund seiner offenen Poren anfällig für solche Glanzpolituren.

12.2 Schleifbänder reinigen

Das Schleifband auf der Trommel muss regelmäßig mit handelsüblichen Reinigungsstiften gemäß den Herstelleranweisungen gereinigt werden. Beim Reinigen auch die sich vom Stift ablösenden Reinigungspartikel von der sich noch drehenden Trommel entfernen.

In einigen Fällen können stark zugesetzte Bereiche über der sich drehenden Trommel mit an die Kante gehaltenem Plexiglas entfernt werden.



Beim Reinigen von Schleifpaper stets einen Augenschutz tragen und alle Vorsichtsmaßnahmen treffen, die zur Vermeidung des Kontakts der Hände und der Kleidung mit der sich drehenden Trommel erforderlich sind.

Schleifmittel auf Unterlage können durch 20-minütiges bis einstündiges Eintauchen in Verdünner oder Wachbenzin und anschließendes Abbürsten von Ablagerungen gereinigt werden. Das Schleifband vor dem Gebrauch vollständig trocknen lassen. Sämtliche verwendeten Lösungsmittel müssen gemäß den Umweltschutzvorschriften entsorgt werden.

12.3 Schleifmittellebensdauer verlängern

Die Lebensdauer von Schleifmitteln kann nicht nur durch Reinigen verlängert werden, sondern auch durch Entfernen des Schleifbands von der Trommel und anschließendes Wenden. Dazu das Band entfernen und das frühere hintere Ende nun als vorderes Ende auf der linken Seite (Außenseite) der Trommel verwenden. Durch das Wenden des Schleifbands erhält man einen neuen Satz Schleifschneiden.

12.4 Tabelle für Schleifmittelauswahl

Körnung Übliche Anwendung

24	Schleifhobeln, Oberflächenbearbeitung grob gesägter Platten, für maximalen Materialabtrag, Entfernen von Klebstoff.
36	Schleifhobeln, Oberflächenbearbeitung grob gesägter Platten, für maximalen Materialabtrag, Entfernen von Klebstoff.
50	Oberflächenbearbeitung und Maßzuschneidung von Platten, Abrichten von verzogenen Platten
60	Oberflächenbearbeitung und Maßzuschneidung von Platten, Abrichten von verzogenen Platten
80	Leichtes Maßzuschneiden, Entfernen von durch Hobelmaschinen entstandener Welligkeit
100	Leichte Oberflächenbearbeitung
120	Leichte Oberflächenbearbeitung, minimaler Materialabtrag.
150	Schlichtschleifen, minimaler Materialabtrag.
180	Nur Schlichtschleifen, nicht für Materialabtrag.
220	Nur Schlichtschleifen, nicht für Materialabtrag.

Tabelle 2

13.0 Behebung von Störungen an der Trommelschleifmaschine JWDS-1632

Symptom	Mögliche Ursache	Gegenmaßnahme *
Trommelmotor startet nicht nach Betätigung des EIN-Schalters.	Kein Eingangsstrom	Anschlüsse/Verbindungen an Stecker oder Stromkreis überprüfen.
	Sicherheitsschlüssel des Schalters fehlt.	Sicherheitsschlüssel einstecken.
	Spannung zu niedrig.	Netzleitung auf korrekte Spannung überprüfen
	Offener Stromkreis im Motor oder gelockerte Verbindung/Anschluss.	Alle Zuleitungsanschlüsse am Motor auf gelockerte oder offene Verbindung überprüfen.
	Fehlfunktion des Schalters.	Schalter austauschen.
Trommelmotor startet nicht: Sicherungen durchgebrannt oder Trennschalter wurden ausgelöst.	Kurzschluss in Netzleitung oder -stecker.	Netzleitung oder -stecker auf schadhafte Isolierung und kurzgeschlossene Leiter überprüfen.
	Kurzschluss im Motor oder gelockerte Verbindungen/Anschlüsse.	Alle Verbindungen/Anschlüsse am Motor auf gelockerte oder kurzgeschlossene Klemmen oder abgenutzte Isolierung überprüfen.
	Falsche Sicherung oder falscher Trennschalter in Netzleitung.	Korrekte Sicherung bzw. korrekten Trennschalter installieren.
Trommelmotor -Überhitzung.	Luftstrom durch den Motor eingeschränkt.	Motorlüfter mit Druckluft reinigen, um normale Luftzirkulation wiederherzustellen.
	Motor überlastet (SandSmart funktioniert nicht korrekt).	Steuerungen/Regelungen überprüfen und reparieren lassen.
Trommelmotor stirbt ab, dies führt zu durchgebrannten Sicherungen oder Auslösung von Trennschaltern.	Kurzschluss im Motor oder gelockerte Verbindungen/Anschlüsse.	Verbindungen/Anschlüsse am Motor auf gelockerte oder kurzgeschlossene Klemmen oder abgenutzte Isolierung überprüfen.
	Spannung zu niedrig.	Spannungsbedingungen korrigieren.
	Falsche Sicherung oder falscher Trennschalter in Netzleitung.	Korrekte Sicherung bzw. korrekten Trennschalter installieren.
Wiederholte, laute Geräusche oder Vibrationen aus der Maschine.	Gelockerte Befestigungselemente.	Befestigungselemente überprüfen und falls erforderlich festziehen.
	Motorlüfter schlägt gegen seine Abdeckung.	Lüfter festziehen bzw. Abstand zur Lüfterabdeckung mit Distanzstücken vergrößern.
	Maschine steht nicht genau waagrecht, nicht korrekt nivelliert.	Die Holzschleifmaschine auf ebener Fläche aufstellen; bei Bedarf mit Beilagscheiben/Distanzstücken korrigieren.
Fördermotor stirbt ab.	Zu große Schnittiefe.	Schnittiefe verringern, gröbere Körnung verwenden, Vorschubgeschwindigkeit verringern.
Förderband bewegt sich nicht.	Wellenkupplung gelockert oder nicht angebracht.	Wellenkupplung in Ordnung bringen.
Aussetzer im Förderrollenbetrieb.	Wellenkupplung gelockert.	Flachgetriebe des Zahnradmotors und der Antriebsrolle aufeinander ausrichten und Gewindestifte der Wellenkupplung festziehen.
Förderband rutscht auf der Antriebsrolle durch.	Fördererriemenspannung nicht korrekt.	Riemenspannung korrigieren.
	Zu große Schnittiefe und/oder Vorschubgeschwindigkeit.	Schnittiefe und/oder Vorschubgeschwindigkeit verringern.
Schleifband löst sich von der Trommel.	Schleifband sitzt zu locker auf der Trommel.	Schleifband straffen.
	Schleifband nicht korrekt aufgewickelt.	Den Abschnitt zum Anbringen des Schleifbands lesen und neu aufwickeln.
Schleifband sitzt zu locker.	Schleifband hat sich an Innenkante der Schlitzöffnung oder an der Innenseite der Trommel verfangen.	Bandende in Schlitzöffnung neu ausrichten und/oder Schleifkante abschneiden.

Symptom	Mögliche Ursache	Gegenmaßnahme *
	Schleifband nicht korrekt abgeschnitten.	Neu abschneiden und Schleifband wieder anbringen.
Schleifband setzt sich vorzeitig zu.	Zu große Schnitttiefe.	Die Schnitttiefe verringern.
	Vorschubgeschwindigkeit zu hoch.	Vorschubgeschwindigkeit verringern.
	Staubabsaugung nicht effizient.	Luftdurchfluss an Entstaubungsöffnung erhöhen.
	Falsches, ungeeignetes Schleifmittel.	Schleifmittel mit offener Streuung verwenden.
Falte oder Rille im Schleifgut.	Vorschubgeschwindigkeit nicht angemessen.	Vorschub bei der Schleifgutzustellung nicht stoppen oder ändern.
Fehlerlinien.	Rollendruck nicht korrekt.	Rollen nachspannen.
Beim Schleifen brennt das Holz an.	Schleifbandüberlappungen.	Schleifband neu aufwickeln.
	Schleifmittel hat sich zugesetzt.	Schleifmittel reinigen.
	Zu große Schnitttiefe für feine Körnung.	Größere Körnung verwenden oder Schnitttiefe verringern.
	Vorschubgeschwindigkeit zu niedrig.	Vorschubgeschwindigkeit erhöhen.
	Schleifmittel ist abgenutzt.	Schleifmittel austauschen.
Platte rutscht auf dem Förderband.	Andruckrollen zu hoch.	Andruckrollen tiefer positionieren.
	Vorschubgeschwindigkeit zu hoch.	Vorschubgeschwindigkeit verringern.
	Förderband verschmutzt oder verschlissen.	Den Förderriemen auswechseln.
Geschliffene Fläche ist wellig. A. Wellen in ungleichmäßigen Abständen zueinander. B. Wellen in gleichmäßigen Abständen zueinander.	A. Vorschub ungleichmäßig.	Förderband rutscht durch (siehe oben) Platte rutscht auf dem Förderband (siehe oben). Fördermotor stirbt ab (siehe oben).
	B. Fördertisch biegt sich oder vibriert.	Schnitttiefe und/oder Vorschubgeschwindigkeit verringern. Auf gelockerte Schrauben, gelockerte Gewindestifte der Wellenkupplung oder unrund laufende Trommel überprüfen.
Rillen im Holz.	Schleifgut rutscht auf der Fördereinheit hin und her.	Schnitttiefe oder Rollenandruck korrigieren.
	Werkstück wird nicht korrekt abgestützt.	Werkstückstützvorrichtungen für lange Werkstücke installieren.

* **WARNUNG:** Einige Korrekturen und Abhilfemaßnahmen müssen u.U. von einem qualifizierten Elektriker durchzuführen.

Tabelle 3

14.0 Optionales Zubehör

98-0130 Klemmrollen, 4er-Satz
723521 Zustelltisch/Auslauftisch

FR - FRANÇAIS

INSTRUCTIONS DE FONCTIONNEMENT

Cher client,

Nous vous remercions pour la confiance que vous nous avez témoignée en achetant votre nouvelle machine TOOL FRANCE. Ce manuel a été préparé pour le propriétaire et les opérateurs des ponceuses à cylindre TOOL FRANCE JWDS-1632 pour promouvoir la sécurité lors des procédures d'installation, de fonctionnement et de maintenance. Veuillez lire et comprendre les informations contenues dans ces instructions de fonctionnement et les documents les accompagnant. Lisez attentivement ce manuel et suivez soigneusement les instructions pour obtenir la durée de vie et l'efficacité maximales de votre machine et pour l'utiliser en toute sécurité.

1. Déclaration de conformité

Nous déclarons sous notre seule responsabilité que le produit est conforme aux réglementations* listées à la page 2. Conçu en prenant compte des standards**.

2. Garantie

TOOL FRANCE garantit que le/les produit(s) fourni(s) est/sont exempt(s) de défauts matériels et de défauts de fabrication.

Cette garantie ne couvre pas les défauts, dommages et défaillances causés, directement ou indirectement, par l'utilisation incorrecte ou inadéquate, la négligence, les dommages accidentels, la réparation, la maintenance ou le nettoyage incorrects et l'usure normale.

Vous pouvez trouver de plus amples détails sur la garantie dans les conditions générales (CG).

Les CG peuvent être envoyées sur demande par poste ou par e-mail.

TOOL FRANCE se réserve le droit d'effectuer des changements sur le produit et les accessoires à tout moment.

3. Sécurité

3.1 Usage autorisé

Cette ponceuse à cylindre est conçue pour poncer uniquement du bois et des matériaux similaires. Le ponçage d'autres matériaux est interdit et ne peut être réalisé que dans des cas très spécifiques, uniquement après concertation avec le fabricant.

La machine n'est pas adaptée au ponçage humide. Le bon usage implique la conformité aux instructions de fonctionnement et de maintenance fournies dans ce manuel.

La machine ne doit être mise en marche que par des personnes familiarisées à son fonctionnement et son entretien et qui en connaissent également les risques. L'âge minimal nécessaire doit être respecté.

La machine ne doit être utilisé que dans un parfait état de fonctionnement.

Lors du fonctionnement de la machine, tous les mécanismes de sécurité et couvercles doivent être montés.

Vous devez vous conformer aux règles techniques concernant le fonctionnement des machines à bois en plus des exigences de sécurité comprises dans ces instructions de fonctionnement et des réglementations applicables à votre pays.

Toute autre utilisation est strictement interdite. En cas d'usage non autorisé, le fabricant renonce à toute responsabilité qui est transférée à l'opérateur.

3.3 Consignes de sécurité générales

Les machines à bois peuvent être dangereuses si elles ne sont pas utilisées correctement.

Par conséquent, les règles techniques générales ainsi que les consignes suivantes doivent être observées.

Lisez attentivement et comprenez tout le manuel d'instructions avant l'installation ou le fonctionnement.



Gardez les instructions de fonctionnement à proximité de la machine, à l'abri de la poussière et de l'humidité, et transmettez-les au nouveau propriétaire si vous vous séparez de l'outil.

Aucun changement ne doit être effectué sur la machine.

Contrôlez quotidiennement la fonction et l'existence des dispositifs de sécurité avant de démarrer la machine. Ne faites pas fonctionner dans le cas contraire ; protégez la machine en débranchant le cordon d'alimentation.

Avant de faire fonctionner la machine, retirez les cravates, les bagues, les montres et autres bijoux et retrousses les manches jusqu'au-dessus des coudes. Enlevez tout vêtement ample et attachez les cheveux longs.

Portez des chaussures de sécurité ; ne portez jamais de sandales ou de chaussures de ville. Portez toujours un équipement de travail conforme.

- lunettes de protection
- protection respiratoire



Ne portez pas de vêtements et des gants amples alors que vous utilisez cette machine.

Installez la machine de telle sorte qu'il y ait suffisamment d'espace pour la manipulation de la pièce et un fonctionnement sûrs.

Maintenez la zone de travail bien éclairée. La machine est conçue pour fonctionner dans des espaces clos et doit être placée sur une surface de table ferme et plane ou sur le support d'armoire fourni.

Assurez-vous que le cordon d'alimentation n'entrave pas le travail et ne cause pas de glissades. Maintenez le sol autour de la machine propre et exempt de rebut, d'huile et de graisse.

Restez sur le qui-vive !
Concentrez-vous sur votre travail.

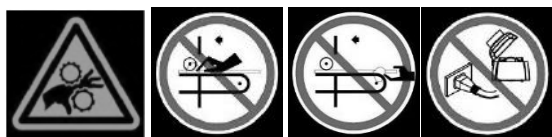
Faites preuve de bon sens. Ne faites pas fonctionner la machine lorsque vous êtes fatigué.

Gardez une position confortable.

Gardez en permanence une posture équilibrée.

Ne faites pas fonctionner la machine sous l'emprise de drogues, d'alcool ou de tout médicament. Soyez conscient que les médicaments modifient votre comportement.

Ne touchez jamais la machine pendant son fonctionnement ou son arrêt.



Fermez toujours le couvercle du cylindre avant de démarrer la machine.

Maintenez vos mains éloignées du logement du cylindre et de la courroie transporteuse lorsque vous engagez la pièce.

Gardez les visiteurs et les enfants à une distance sécuritaire de la zone de travail.

Ne laissez jamais la machine fonctionner sans surveillance. Avant de quitter l'espace de travail, désactivez la machine.

Ne faites pas fonctionner l'outil électrique à proximité de gaz ou de liquides inflammables.

Renseignez-vous sur les options d'alerte et de lutte d'incendie, par exemple l'emplacement et le fonctionnement de l'extincteur d'incendie.

N'utilisez pas la machine dans une décharge et ne l'exposez pas à la pluie.

La poussière de ponçage est explosive et peut présenter un risque pour votre santé.

Utilisez toujours un dispositif d'extraction de poussière adapté.

Avant l'usinage, retirez les clous et autres corps étrangers de la pièce.

Travaillez uniquement avec des outils bien affûtés.
N'usinez que des morceaux maintenus en toute sécurité sur la table.

Fermez toujours le couvercle du mandrin avant de démarrer la machine.

Les spécifications concernant la taille maximale ou minimale de la pièce doivent être respectées.

Ne retirez pas les copeaux et les éléments de pièce tant que la machine n'est pas mise à l'arrêt.

Ne vous tenez pas sur la machine.

Les travaux de réparation et de connexion sur l'installation électrique doivent être uniquement effectués par un électricien qualifié.

Remplacez immédiatement un cordon d'alimentation usé ou endommagé.

Réalisez tous les réglages de la machine ou la maintenance avec la machine débranchée de la source d'alimentation.



Protégez l'environnement !

Votre appareil comprend plusieurs matières premières différentes et recyclables. Pour éliminer l'appareil usagé, veuillez l'apporter dans un centre spécialisé de recyclage des appareils électriques.



Ce symbole indique une collecte séparée des équipements électriques et électroniques conformément à la directive DEEE (2012/19/UE). Cette directive n'est efficace que dans l'Union européenne.

3.3 Autres dangers

D'autres dangers subsistent lors de l'utilisation de la machine conformément aux réglementations.

Le manchon de ponçage en mouvement peut provoquer des blessures.

Risques de rebonds. La pièce est serrée par le manchon de ponçage en mouvement et est renvoyée vers l'opérateur.

Des pièces projetées peuvent causer des blessures. Le bruit et la poussière du ponçage peuvent altérer la santé. Portez un équipement de protection individuel comme des lunettes de protection et un masque anti-poussière. Utilisez un système d'aspiration des poussières adapté.

Des disques de ponçage défectueux peuvent provoquer des blessures.

L'utilisation d'une source d'alimentation incorrecte ou d'un cordon d'alimentation endommagé peut provoquer des blessures par choc électrique.

3.4 Etiquettes et positions

A: Avertissement de sécurité

B: Direction du déplacement de la bande entraînée et du cylindre de ponçage

C: Déverrouillez la table avant de régler le parallélisme de la table



Fig.A



Fig.B

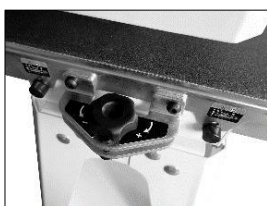


Fig.C

4.0 Spécifications

Numéro de modèle	JWDS-1632
Numéros de commande:	
Ponceuse à Cylindre	723520KM
Support ouvert uniquement	723520S
<u>Moteur et électrique:</u>	
Moteur du cylindre:	
Type de moteur	Moteur à induction
Puissance	1.1 kW
Tension	1~230V, PE, 50Hz
Intensité à pleine charge	7.1 A
Vitesse du moteur	1400t/min
Intensité au démarrage	25 A
Intensité à vide	4.5 A
Condensateur de démarrage	300µF 125 VCA
Condensateur de marche	n/a
<u>Moteur du convoyeur:</u>	
Type de moteur	Moteur CC totalement fermé
Puissance	40W
Vitesse du moteur	54t/min
Interrupteur Marche/Arrêt	Commutateur magnétique
Cordon électrique	H05RR-F, 3x1.5mm ² , 1830 mm
Fusible et circuit recommandés/calibre du disjoncteur ¹	16A
Emission sonore ² (au ralenti / en marche)	65 dB / 80 dB
Niveau de pression acoustique	
<u>Capacités:</u>	
Largeur maximum de travail en un seul passage	406 mm
Largeur maximum de travail en deux passages	812 mm
Épaisseur maximum de la plaque	75 mm
Longueur minimum de la plaque	60 mm
Épaisseur minimum de la plaque ³	0.8 mm
<u>Matériaux:</u>	
Support ouvert	Acier
Cylindre	Aluminium extrudé
Rallonges de table (en option)	Acier
Table du convoyeur	Acier
Poignée de réglage de hauteur du cylindre	Plastique
<u>Cylindre à poncer:</u>	
Dimensions du cylindre	dia. 127 x 406 mm
Vitesse du cylindre	1400t/min
Abrasif fourni	grain 80
Déplacement du rouleau sur un tour de manivelle	1,6 mm
<u>Convoyeur:</u>	
Vitesse du convoyeur	variable entre 0-3 m/min
Dimensions de la table du convoyeur	456 x 420 mm
Hauteur au sol du convoyeur	812 mm
<u>Collecte de poussière:</u>	
Diamètre extérieur de la sortie poussière	100 mm
Volume d'extraction minimum requis	560m ³ /h
<u>Dimensions:</u>	
Dimensions hors tout de la boîte d'expédition pour le bâti de la machine	985 x 570 x 510 mm
Dimensions hors tout de la boîte d'expédition pour le support ouvert	860 x 415 x 120 mm
Dimensions hors tout, complètement assemblé (LxIxH)	508 x 1269 x 1007 mm

Poids:

Poids net	71 kg
Poids d'expédition	83 kg

¹ Soumis aux codes électriques du pays.

² Les valeurs spécifiées sont des niveaux d'émission et ne doivent pas nécessairement être vues comme des niveaux de fonctionnement de sécurité. Comme les conditions de l'environnement de travail varient, cette information permet à l'utilisateur d'avoir une meilleure estimation des risques et des dangers que cela implique (EN ISO 11202).

³ L'utilisation d'un support ou de plaques d'appui (non fournie) est recommandée pour des coupes max de 1,5 mm. Voir le chapitre 9.3.

Les spécifications de ce manuel entrent en vigueur au moment de la publication, mais en raison de notre politique d'amélioration continue, TOOL FRNACE AG se réserve le droit de modifier les spécifications à tout moment et sans préavis, sans aucune obligation de sa part.

5.0 Caractéristiques et terminologie

L'illustration ci-dessous montre les éléments principaux et les caractéristiques des ponceuses JWDS-1632.

Ceux-ci sont référencés dans tout le manuel et vous aideront à vous familiariser avec les fonctions et opération de la machine.

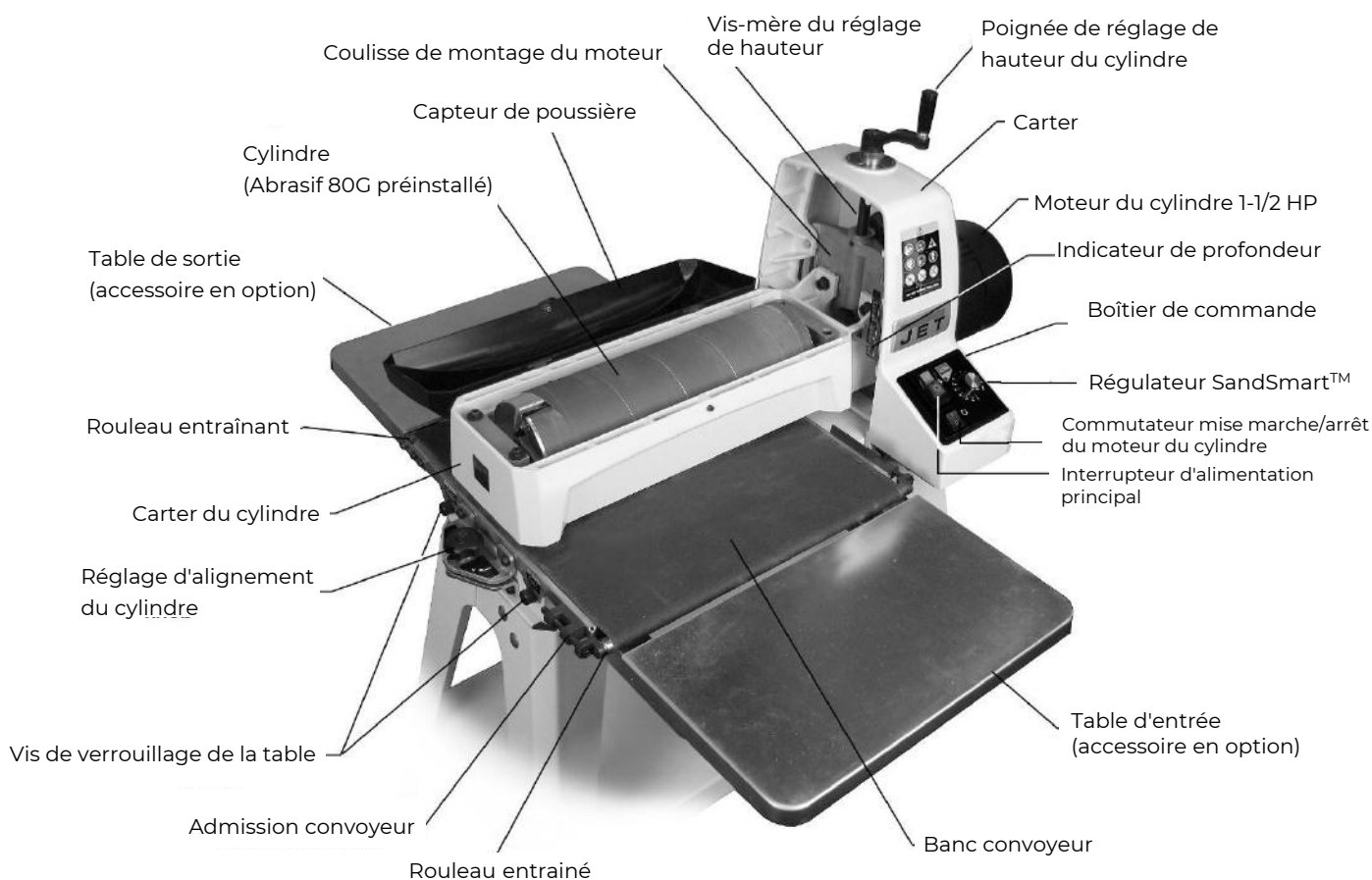


Figure 5-1

6.0 Réglage et montage

Ouvrez les boîtes et contrôlez la présence de dommages provoqués pendant l'expédition. Signalez immédiatement tout dommage à votre distributeur et agent d'expédition. Ne jetez pas l'emballage d'expédition tant que la ponceuse à cylindre n'est pas assemblée et qu'elle fonctionne correctement.

Comparez les contenus de vos boîtes avec la liste de pièces suivante pour vous assurer que toutes les pièces sont intactes. Signalez toute pièce manquante à votre distributeur. Lisez attentivement les instructions de montage, d'entretien et de sécurité fournies dans ce manuel d'instructions.

6.1 Contenu d'expédition

Boîte n°1: (Voir la Figure 6-1)

- 1 Ponceuse avec convoyeur (A)
- 1 Poignée (B)
- 1 Manuel d'instructions (non montré)
- 1 Liste des pièces de rechange (non montré)

Boîte n°2: (Voir la Figure 6-2)

Assemblage du support comprenant :

- 1 Etagère (C)
- 2 Equerres courtes (D)
- 2 Equerres longues (E)
- 4 Pieds (F)
- 4 Pieds de mise à niveau (G)
- 8 Rondelles plates (H)
- 4 Ecrous hexagonaux (I)
- 24 Boulons à tête bombée et collet carré, M8x16 (J)
- 24 Ecrous à embase, M8 (K)

6.2 Outils nécessaires au montage

Clés de 12 mm et de 14 mm

Clés hexagonales de 3 mm et de 6 mm

Règle (par exemple une barre en acier droite ou une plaque articulée)

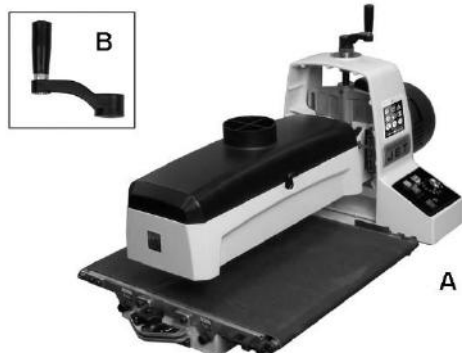


Figure 6-1: boîte n°1 (unité principale)

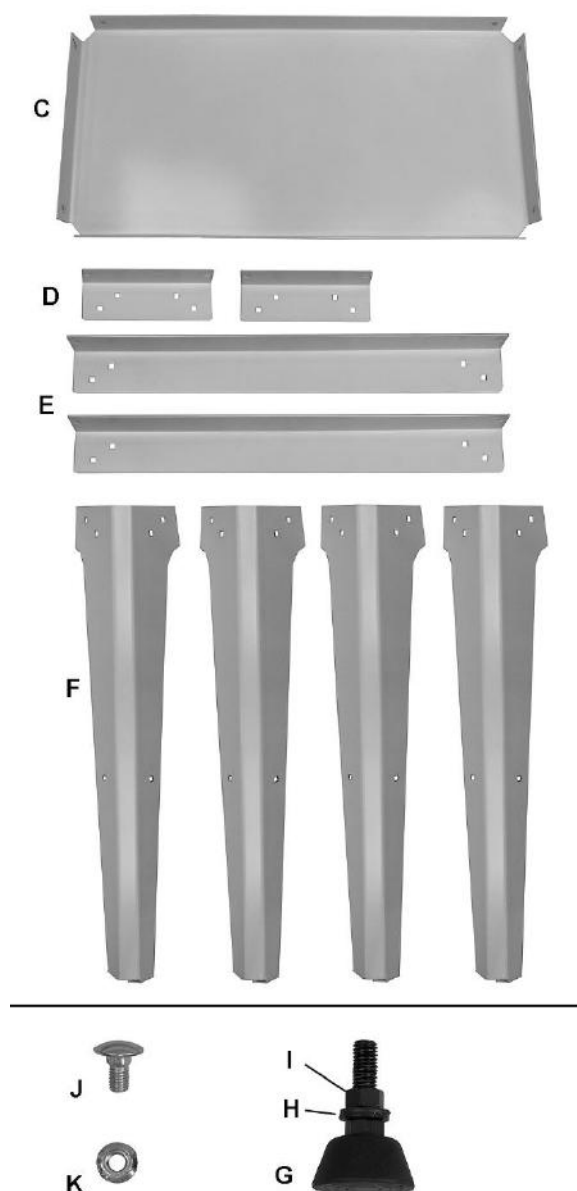


Figure 6-2: boîte n°2 (montage du support)

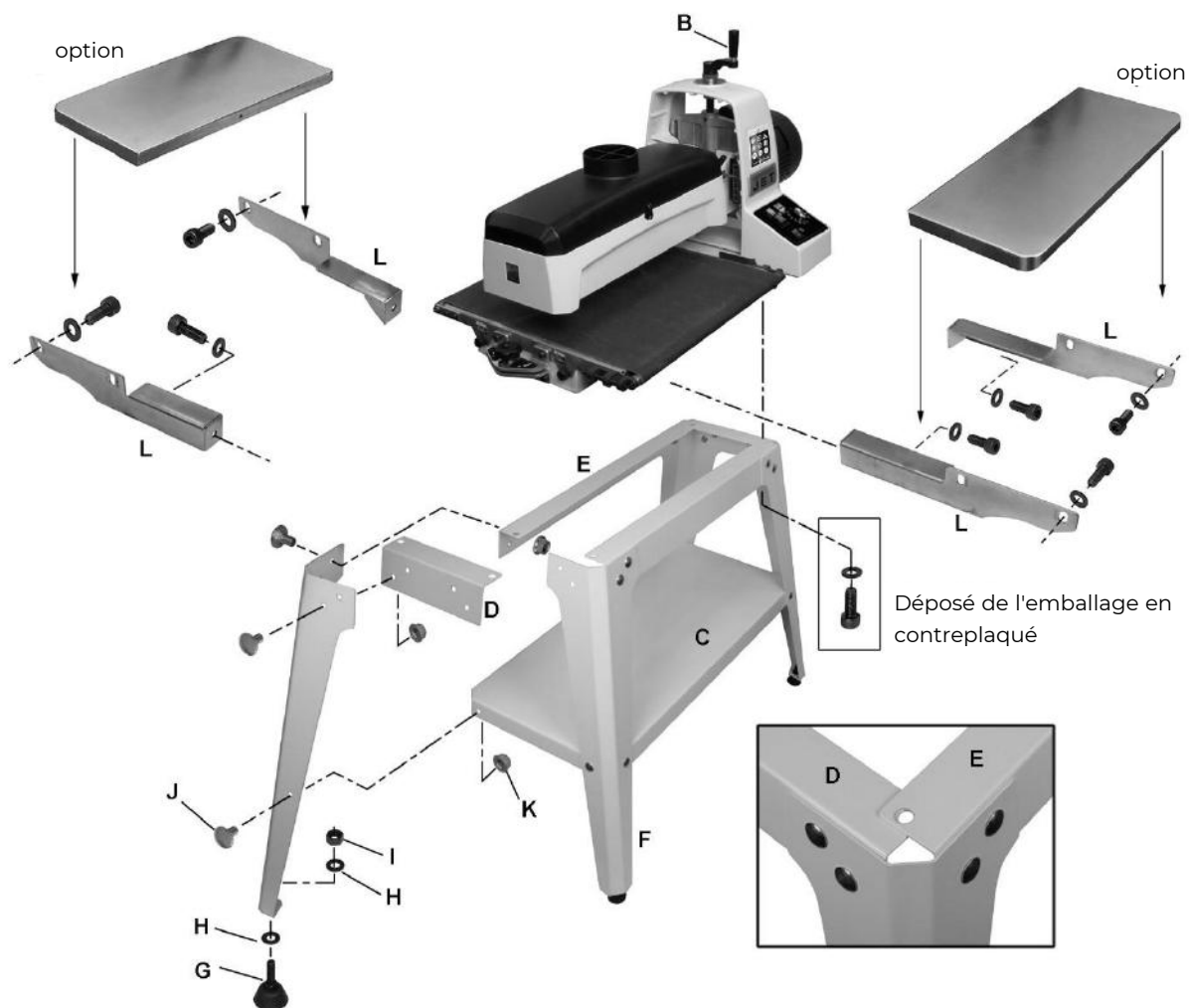


Figure 6-3: Montage

6.3 Montage du support

(Voir la figure 6-3. Si vous avez besoin de davantage d'éclaircissements, consultez le schéma de pièces éclaté à la fin de ce manuel.

1. Assemblez les pieds (F) à l'extérieur des équerres courtes (D) en utilisant les boulons à tête bombée et collet carré (J) et les écrous à embase (K). Serrez uniquement à la main.
2. Assemblez l'équerre longue (E) à l'intérieur des pieds et en haut des équerres courtes (D). Serrez *uniquement à la main*. REMARQUE : La collerette d'encastrement de l'équerre longue chevauche la collerette d'encastrement de l'équerre courte. Voir encadré, Figure 6-3.
3. Tournez à l'envers le support. Installez la tablette (C) entre les pieds avec les boulons à tête bombée et collet carré et les écrous.
4. Serrez complètement tous les écrous à embase de la tablette et des pieds.
5. Insérez le pied de réglage (G) dans le trou en bas du pied avec les rondelles plates et l'écrou hexagonal.
6. Tournez le support à l'endroit, appuyez dessus pour le régler. Serrez tous les écrous à embase sur le support.
7. Mettez à niveau le support en utilisant les pieds de nivellement. Serrez les écrous hexagonaux contre la collerette d'encastrement du pied.

6.4 Montage de la ponceuse sur le support

1. Sortez la tête du cylindre de la boîte et reposez-la temporairement dans le sens de la largeur sur le haut du support.



Levez la ponceuse avec une autre personne !

2. Installez la poignée de réglage de hauteur (B) et serrez la vis de réglage.
3. Tournez la poignée de réglage de hauteur en sens inverse horaire pour monter le cylindre et libérer le bloc de support en bois.
4. Déposez les vis à tête à six pans creux et les rondelles qui fixent les plaques en contreplaqué en bas de la base de la ponceuse. Gardez ces vis et rondelles pour l'étape 6.
5. Positionnez la ponceuse au-dessus du support de sorte que les 4 trous filetés de la base soient alignés sur les trous des équerres du support (Figure 6).
6. Fixez la base au support (depuis l'intérieur) avec les 4 vis et rondelles que vous avez enlevés des plaques en contreplaqué. Serrez fermement les vis.

6.5 Tables d'entrée et de sortie (accessoire en option)

La ponceuse doit être boulonnée sur le support ou une établi lorsque vous utilisez ces extensions de table. La charge maximale de travail pour chaque table est de 16 kg. Les fixations sont fournies avec les extensions de table.

1. Installez les supports d'entrée et de sortie (L, Figure 6-3) sur les trous filetés dans la base de la ponceuse avec des rondelles plates et des vis à tête à six pans creux M8x16. Veillez à ce que les supports droit et gauche soient orientés comme montré. Les supports doivent s'appuyer sur la base.

REMARQUE : Les supports longs sont à l'avant (entrée); les supports courts à l'arrière (sortie).

2. Placez les extensions de tables sur les supports et fixez avec les rondelles et les vis à tête à six pans creux M8x12. Serrez *uniquement à la main*.
3. Positionnez les tables légèrement en dessous de la surface de la bande d'entraînement, pour un support adéquat du matériau à poncer. Pour vérifier la position, placez une règle sur un côté de la table du convoyeur en dessous du cylindre tout en la faisant empiéter sur la table d'extension. Abaissez le cylindre pour maintenir fermement en place la règle. Voir la figure 6-4. Montez la table d'entrée/de sortie jusqu'à ce que la surface de table soit légèrement en dessous de la surface de la bande d'entraînement. Serrez les vis de chaque côté.
4. Positionnez la règle de l'autre côté de la table et répétez l'opération.

Si le matériau poncé est arqué, déformé ou autre, assurez-vous que les tables ne soient pas inférieures au haut de la table du convoyeur.

Si le matériau glisse du convoyeur, c'est que les tables sont positionnées trop hautes. Abaissez les tables pour permettre au matériau de rester en contact avec le convoyeur.



Figure 6-4: Aligned extension tables

6.6 Collecte des poussières

La collecte de poussière est obligatoire pour un environnement de travail sécurisé et une durée de vie prolongée de l'abrasif. La JWDS-1632 est équipée d'une sortie collecteuse de poussière de 100 mm. Fixez le flexible de collecte de poussière de 100 mm à la sortie avec un collier de serrage pour tuyaux (Figure 6-5) et raccordez un aspirateur de poussière de grande capacité (minimum 560 m³/h).



Figure 6-5 (flexible et collier non compris)

6.7 Installation des abrasifs

Une fixation appropriée de la bande abrasive au cylindre est essentielle pour obtenir les meilleurs rendements de votre ponceuse à cylindre.

Une bande abrasive de largeur 76 mm et de grain de 80 est montée d'origine sur le cylindre.

(TIP: Si vous utilisez un abrasif du marché des pièces détachées, utilisez un nouvel abrasif JET comme modèle pour couper rapidement une nouvelle bande Appuyez le levier de fixation (Figure 6-7) sur l'extrémité extérieure (gauche) du cylindre et insérez l'extrémité effilée de l'abrasif à travers la fente de la fixation comme montré. Insérez environ 75 mm de la bande abrasive dans la fixation. Alignez le bord biseauté de la bande abrasive sur le bord gauche du cylindre.



Figure 6-7

1. Relâchez le levier de fixation pour maintenir l'extrémité de la bande.
2. Commencez à enrouler l'abrasif autour du cylindre. Le bord biseauté de l'extrémité de bande doit rester le plus près possible du bord du cylindre.
3. Continuez à enrouler l'abrasif en spirale en tournant le cylindre avec une main et en guidant la bande avec l'autre. Voir la Figure 6-8.

Les enroulements successifs de bande ne *doivent pas se chevaucher*. Ils doivent être au même niveau que l'enroulement précédent ou avoir un léger jeu entre eux.



Figure 6-8

4. Pressez la fixation (Figure 6-9) et insérez l'extrémité arrière de la bande aussi loin que possible. Si nécessaire, taillez l'extrémité effilée de la bande abrasive.
5. Relâchez la fixation pour maintenir la bande.

Toutes les bandes abrasives s'étirent avec le temps lorsqu'elles sont usées et peuvent s'étirer assez pour faire en sorte que le fixation atteigne sa position la plus basse et qu'il ne puisse plus maintenir la bande sous tension. Si cela se produit, suivre les procédures ci-dessus pour réajuster la fixation.

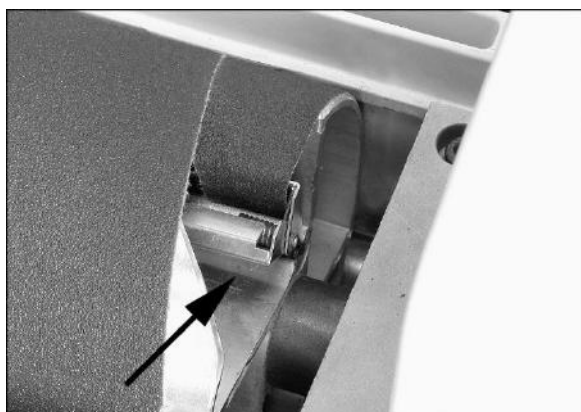


Figure 6-9

7.0 Branchements électriques



Toutes les branchements électriques doivent être effectués par un électricien qualifié conformément aux ordonnances et codes locaux. Le non-respect de cette obligation peut causer de graves blessures.

La ponceuse JWDS-1632 est en 230 V. La ponceuse est livrée avec une prise conçue pour être branchée à une prise avec terre. Avant de raccorder à la source d'alimentation, veillez à ce que le commutateur soit en position off.

Il est recommandé que la ponceuse soit raccordée à un circuit dédié de 16 AMP avec un disjoncteur ou fusible. Si elle est raccordée à un circuit protégé par des fusibles, utilisez un fusible temporisé marqué "T".

8.0 Réglages



Débranchez la ponceuse de sa source d'alimentation avant de réaliser les réglages.

8.1 Contrôle de la hauteur du cylindre

Le réglage de la hauteur du cylindre se fait à l'aide de la poignée située sur le haut de la machine (voir Figure 5-1). En tournant la poignée en sens horaire, le cylindre s'abaisse et il monte en sens inverse. Un tour de poignée déplace le cylindre d'environ 1,6 mm (ou 1/4 de tour = env. 0,4 mm), comme indiqué sur la règlette située sous de la poignée.

8.2 Echelle de profondeur

L'échelle de profondeur indique la distance entre le bas du cylindre à poncer et le haut de la bande d'entraînement. Le réglage est effectué en mettant à zéro l'échelle.

1. Débranchez la ponceuse de la source d'alimentation !
2. Avec une bande abrasive sur le cylindre, amenez le cylindre en contact avec la bande d'entraînement.
3. Dans cette position du cylindre, l'index de l'échelle de profondeur doit être aligné sur le zéro de l'échelle. Si ce n'est pas le cas, desserrez deux vis (Figure 8-1) et montez ou descendez l'échelle jusqu'à ce que l'index soit aligné sur le zéro.
4. Resserrez les vis.

Remarque : Selon la précision souhaitée, vous devez répéter ce processus lors de l'installation de différents grains abrasifs.



Figure 8-1: Réglage de l'échelle de profondeur

8.3 Alignement/tension de la bande d'entraînement

Le réglage de la tension de la bande d'entraînement peut être nécessaire pendant le rodage pour compenser l'allongement de la bande.

8.3.1 Réglage de la tension de bande

1. Débranchez la ponceuse de la source d'alimentation !
2. Ajustez les écrous (Figure 8-2) avec une clé hexagonale de 5 mm. Faites-les des deux côtés du convoyeur pour obtenir une tension approximative égale des deux côtés de la bande abrasive lorsqu'elle est tendue.

REMARQUE : Une tension de bande insuffisante peut provoquer un glissement de la bande d'entraînement du rouleau entraînant pendant le ponçage. La bande d'entraînement est trop lâche si elle peut être stoppée par une pression de la main appliquée directement en haut du mouvement de la bande d'entraînement. Une tension excessive peut se produire du fait de rouleaux déformés, de supports déformés et/ou d'une usure prématurée des bagues ou de la bande d'entraînement.

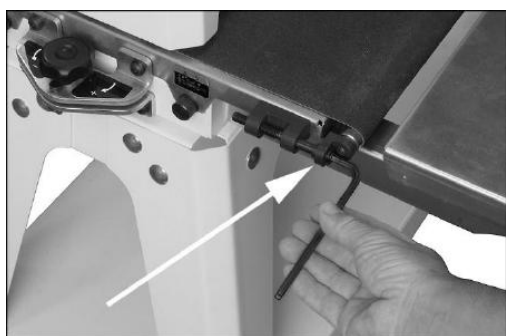


Figure 8-2: Réglage de la tension de courroie

8.3.2 Réglage de l'alignement

Une bande est bien alignée lorsqu'elle se déplace au centre des rouleaux du convoyeur sans dériver entre les deux côtés. Les réglages de l'alignement sont effectués avec la bande d'entraînement en marche.

1. Débranchez la ponceuse de la source d'alimentation!
2. Assurez-vous d'avoir la bonne tension de la bande (voir chap. 8.3.1).
3. Démarrer le convoyeur et réglez sur la vitesse maximale. Regardez si la bande d'entraînement n'a pas tendance à dériver d'un côté du convoyeur. Si elle dérive, serrez ou desserrez la vis de tension.

Remarque: Tournez la vis de tension d'1/4 de tour seulement à ce moment. Laissez à la bande un temps de réaction au réglage avant de continuer. Essayez d'éviter les sur-réglage, car cela peut affecter la tension de la bande. Si la tension en est touchée, il faudra utiliser les deux vis de tension pour effectuer l'alignement et la tension.

8.3.3 Guide céramique

La ponceuse est livrée avec des guides en céramique qui réduisent la valeur de correction nécessaire pour garder la bande d'entraînement centrée sur la table du convoyeur. Ces guides ont un support magnétique qui les maintiennent en place. Si un guide est trop usé, vous pouvez utiliser l'autre côté en le retournant. Voir *chap. 11.0 Kit d'aligneur* pour plus d'information sur le réglage des guides.

8.4 Vérification de l'alignement du cylindre

Le cylindre à poncer doit être parallèle à la table du convoyeur pour un fonctionnement correct de la machine. Le cylindre à poncer est livré aligné d'usine.

Si un problème d'alignement du cylindre se produit, suivez les instructions ci-dessous.

Vérifiez d'abord l'alignement avec une jauge quelconque. La procédure suivante utilise une règle en acier comme jauge.

1. Débranchez la ponceuse de la source d'alimentation !
2. Ouvrez le couvercle anti-poussière et enlevez la bande abrasive du cylindre.
3. Insérez la jauge entre le cylindre et la table du convoyeur du côté externe du cylindre (A, Figure 8-3).

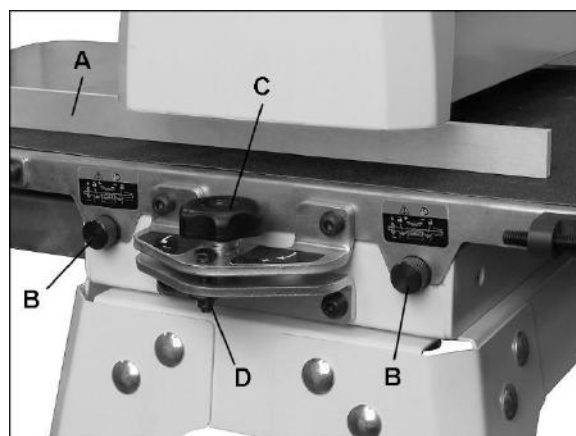


Figure 8-3: Alignement du cylindre

4. Avec le couvercle anti-poussière ouvert, abaissez le cylindre tout en le tournant lentement à la main jusqu'à ce qu'il touche légèrement la jauge.
- REMARQUE :** Vérifiez que le cylindre touche la jauge, pas seulement les rouleaux de tension.
5. Enlevez la jauge et placez-la en dessous du cylindre côté interne.
 6. Si le cylindre ne touche pas la jauge de manière égale des deux côtés du cylindre, un alignement est nécessaire.

Pour aligner la table du convoyeur avec le cylindre :

7. Desserrez les deux vis de verrouillage de la table (B, Figure 8-3)



Desserrez les deux blocages de table avant d'effectuer l'alignement du cylindre.

8. Tournez le bouton (C) pour monter ou descendre l'extrémité externe de la table. Suivez les repères de direction sur la règle (+ fait monter, - fait descendre).
9. Resserrez les vis de verrouillage de la table (B).

8.4.1 Alignement de précision du cylindre

Remarque : Ceci est un test opérationnel pour les plaques à poncer plus large que le cylindre. N'effectuez cette procédure que lorsque vous vous être familiarisé avec le fonctionnement de la ponceuse.

Lorsque les plaques à poncer sont plus larges que le cylindre, l'alignement de table est indispensable et la table doit être ajustée exactement au niveau légèrement en dessous de l'extrémité externe. Ceci empêchera la formation de bavures sur le matériau.

Vérifiez toujours ceci sur un morceau de bois, comme suit, avant de poncer la pièce à usiner.

1. Avancez le morceau de bois d'une largeur de 150 mm, et de 700 à de 1000 mm de longueur sur la ponceuse de sorte que l'extrémité de la plaque s'étendent au-delà du côté externe du cylindre.
2. Sans changez la hauteur du cylindre, tournez la plaque de 180° et ponchez le même côté.
3. Si une bavure est visible là où le cylindre chevauche, abaissez légèrement la table sur l'extrémité externe en tournant le bouton (C, Figure 8-3).
4. Répétez ce processus jusqu'à élimination des bavures et que toute la plaque soit poncée.

Remarque : Pour un matériau à poncer de largeur inférieure à 406 mm, régler le parallélisme entre le convoyeur et le cylindre. Tournez le bouton en direction opposée jusqu'à ce que le écrou (D, Figure 8-3) soit en contact. Le écrou fait butée pour le parallélisme de la table.

8.5 Réglage du rouleau de tension

Les rouleaux d'entrée et de sortie sont tendus pour fournir une pression à la baisse sur la pièce à usiner pour éviter un glissement sur le convoyeur. Les rouleaux de tension ont été réglés par le fabricant, mais ils doivent être vérifiés et peuvent nécessiter un réglage à la réception de la ponceuse.



Des rouleaux de tension mal réglés (p.ex. trop tendus, les rendant non fonctionnels) peuvent faire rebondir les pièces en train d'être poncées.

Vous pouvez augmenter ou diminuer la pression de tension du rouleau en tournant les vis sur les supports des rouleaux de tension (Figure 8-4).

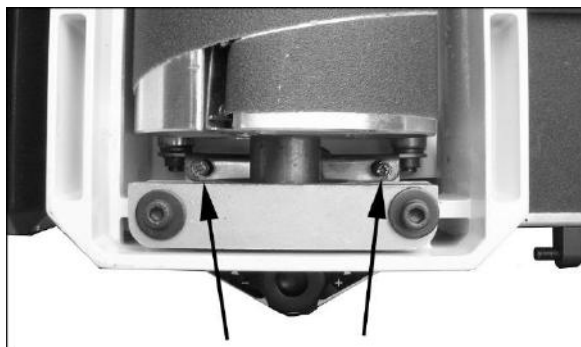


Figure 8-4: vis de réglage de tension

Une pression de tension du rouleau trop élevée peut provoquer une rainure, qui est une ligne visible sur toute la largeur de la plaque et qui se trouve à environ 60 mm de l'extrémité de la plaque.

Si la rainure apparaît sur l'extrémité avant de la plaque, ajustez la tension du rouleau de sortie. Si la rainure apparaît sur l'extrémité arrière de la plaque, ajustez la tension du rouleau d'entrée.

9.0 Fonctionnements

Avant d'utiliser votre ponceuse à cylindre, relisez les parties précédentes concernant la configuration initiale et le réglage. Avant d'utiliser, assurez-vous qu'une bande abrasive est installée et que le bon système de collecte de poussière est raccordé.

9.1 Procédure de fonctionnement de base

1. Etablissez la profondeur de coupe.
2. Démarrez le système de collecte de poussière.
3. Activez le commutateur d'alimentation.
4. Démarrez le cylindre.
5. Démarrez le convoyeur et sélectionnez la vitesse d'avance.
6. Alimenter la machine en matériau.

Pour alimenter la ponceuse en matériau, placez and maintenez la plaque à poncer sur la bande d'entraînement, permettant d'amener la plaque vers le cylindre. Une fois le matériau à mi-chemin, récupérer le matériau à la sortie du convoyeur et contrôler la plaque.



La plaque s'abaissera contre la table du convoyeur au début de l'alimentation, entraînant un risque de pincement. Gardez vos doigts éloignés.



Ne pas ouvrir le capot du cylindre tant que celui-ci n'est pas complètement à l'arrêt.

9.2 Fonctionnement

1. Connectez l'alimentation à la machine.
2. Activez l'interrupteur d'alimentation principal en appuyant fermement sur l'interrupteur (A, Figure 9-1)
3. Activez l'interrupteur à bascule (B, Figure 9-1) pour démarrer la rotation du cylindre.
4. Tournez en sens horaire le cadran de vitesse du convoyeur (C, Figure 9-1) pour démarrer et régler la vitesse d'avance du convoyeur.

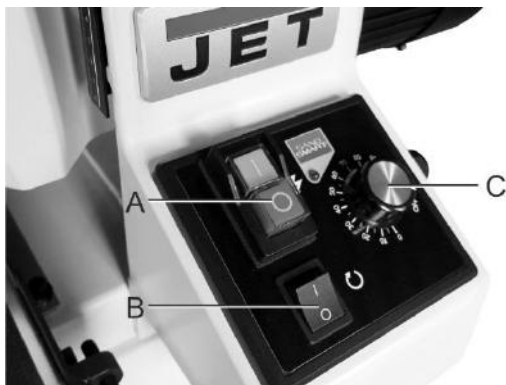


Figure 9-1: Panneau de commande

9.3 Réglage de la profondeur de coupe

Un réglage de la ponceuse à cylindre pour un contact correct entre l'abrasif et le matériau détermine la profondeur de coupe. La profondeur de coupe est contrôlée par la poignée de réglage de hauteur.

Il faut faire des expériences pour déterminer une profondeur de coupe correcte, entrer les variables de grains abrasifs, le type de bois et la vitesse d'avance. Pour obtenir les meilleurs résultats, utilisez des bouts de bois pour vous entraîner au ponçage et développer une technique et vous familiariser avec la machine avant d'effectuer le travail final.

Une combinaison de plusieurs variables déterminera la profondeur correcte à utiliser, incluant ce qui suit :

1. Type d'abrasif et taille du grain.
2. Largeur de pièce à usiner.
3. Dureté de la pièce.
4. Vitesse d'avance de la bande d'entraînement.

REMARQUE : L'utilisation d'un support ou de plaques d'appui (non fournie) est recommandée pour des coupes max de 1/16". C'est une plaque plate, habituellement du bois ou MDF, légèrement plus grande que la pièce à usiner et d'épaisseur égale, placées sous la pièce lorsqu'elle est avancée dans la ponceuse.

La pièce à usiner peut être fixée au support avec de la colle au caoutchouc, du ruban de charpentier ou quelque chose de facile à décoller. Cependant, certains opérateurs utilisent une surface texturée ou en caoutchouc sur le support pour aider à stabiliser la pièce à usiner par simple friction.

9.4 Détermination de la hauteur du cylindre

Principe de base si ponçage avec grains plus fins que 80 :

1. Pour établir la hauteur du cylindre, positionnez le matériau sous le cylindre. **NE démarrez PAS le cylindre.**
2. Abaissez le cylindre au contact du matériau et assurez-vous que le cylindre peut tourner avec la main lorsqu'il touche le matériau.



Ne démarrez pas le cylindre pendant qu'il touche le matériau.

3. Sans modifier la hauteur du cylindre, activez le convoyeur et faites sortir le matériau par le dessous du cylindre. Démarrez le cylindre à poncer et ponchez le matériau sur la même position.
4. Avec le cylindre en fonctionnement, alimentez en matériau par le dessous du cylindre depuis le côté entrée et contre la rotation du cylindre. Gardez toujours le contrôle du matériau pour éviter tout rebondissement et/ou glissement.

REMARQUE : Si le moteur surchauffe pendant le fonctionnement, le réglage de la profondeur peut être trop importante pour la taille de grain et/ou la vitesse d'avance peut être trop élevée.

Pour le ponçage avec un grain plus gros que 80, vous pouvez ralentir légèrement le cylindre. Gardez toujours le contrôle du matériau. Par la pratique, vous connaîtrez la profondeur de passe correcte en fonction des variables ci-dessus.

9.5 Sélection des vitesses d'avance SandSmart™

Une vitesse d'avance plus rapide permet un ponçage plus rapide, mais moins de rotations du cylindre par surface de ponçage. Une vitesse d'avance plus lente donne plus de rotations du cylindre par surface de ponçage pour permettre une profondeur plus grande de passe et un ponçage lisse.

Commencez l'expérience avec la vitesse d'avance entre 40% et 50% du maximum. La meilleure vitesse d'avance dépend d'un nombre de facteurs, incluant le type de matériau, le grain et la profondeur de passe utilisée, et si le matériau est avancé directement en ligne ou incliné avec la table du convoyeur. Si le moteur du cylindre a une baisse de surcharge, si la bande d'entraînement a un glissement ou si vous observez une ondulation sur le matériau, ralentissez la vitesse d'avance. Si la finition est lisse et que la machine n'est pas en surcharge, vous pouvez essayer à une vitesse d'avance plus rapide.

Le régulateur SandSmart surveille en continu la charge du moteur de cylindre et régule automatiquement la vitesse du moteur du convoyeur pour maintenir la vitesse d'avance la plus haute sans surcharge.

Lorsque le témoin indicateur rouge (B, Figure 9-2) s'allume, le régulateur SandSmart a détecté une profondeur de passe trop importante et/ou une vitesse d'avance trop rapide.

Si la charge du moteur de cylindre diminue, le régulateur SandSmart diminuera la vitesse d'avance du convoyeur et arrêtera le convoyeur sous des conditions extrêmes. Si la charge sur le cylindre diminue, SandSmart augmentera la vitesse d'avance mais ne l'augmentera pas au-delà de la vitesse de réglage manuel de l'étiquette.

Le meilleur fini uniforme sera réalisé si le convoyeur ne change pas de vitesse pendant le fonctionnement.



Figure 9-2

Ce changement de vitesse du convoyeur peut affecter la surface de finition. Si la finition est affectée, effectuez un autre ponçage sans en changer les réglages. Si la finition est toujours affectée, effectuez les réglages pour ralentir le convoyeur et/ou diminuer la profondeur de passe et passez à nouveau le matériau.

Essayez également une vitesse d'avance plus rapide ou une profondeur de passe moindre si le matériau que vous usinez commence à montrer des traces de brûlure. Pour le cerisier, l'érable dur ou autres bois durs, l'utilisation d'une profondeur moins profonde ou une vitesse d'avance plus rapide peut aider à minimiser les marques de brûlure. Inclinez légèrement le matériau lorsqu'il est avancé dans la machine pour éviter toute brûlure du matériau.

En raison du grand nombre de variables, il est important d'expérimenter et d'effectuer des réglages pour obtenir la vitesse d'avance optimale. Si des problèmes apparaissent, vérifiez d'abord et réglez la vitesse d'avance en vous reportant au chapitre "Dépannage" de ce manuel.

9.6 Conseils pour une performance maximale

La polyvalence de la ponceuse à cylindre JWDS-1632 lui permet d'être utilisée pour des tâches différentes, ce qui boostera votre retour sur investissement. Par exemple, elle accélère les ponçages fins souvent effectués lentement avec des ponceuses portatives qui génèrent de la poussière et vous permet de réaliser des réglages de précision en épaisseur qui ne sont pas possibles sur d'autres ponceuses.

Apprendre comment utiliser ces réglages et les commandes vous permettra de régler avec précision la machine pour des résultats optimum. Les meilleurs résultats viennent de l'expérimentation avec différents grains abrasifs et réglages de la machine pour l'adapter à la tâche à accomplir. Plus bas, une liste de conseils pratiques vous aidera à améliorer les performances de votre ponceuse.

9.6.1 Collecte des poussières

Lors du raccordement des collecteurs de poussière, rappelez-vous que le tuyau droit ne limitera pas le débit d'air autant que le tuyau flexible. Le Y et les coudes limiteront moins le débit d'air que le T. Et, un flexible inférieur à 80 mm de diamètre ne doit pas être utilisé.

9.6.2 Série de plusieurs pièces à poncer

Lors d'un rabotage d'une série de pièces similaires dont vous souhaitez avoir la même épaisseur, il vaut mieux déterminer l'épaisseur de la pièce la plus fine et d'usiner toutes les pièces qui ont la même épaisseur en une session. Soyez conscient que la ponceuse poncera le profil voilé et le profil bombé de la pièce ; prenez en compte cela lors de la prise de mesure et du traitement du matériau de la même épaisseur.

9.6.3 Plusieurs pièces en simultanément

Lorsque vous ponchez plusieurs pièces en même temps, veillez à décaler les pièces sur la largeur de la bande d'entraînement. Cela apporte de meilleurs contacts avec les rouleaux de tension. N'usiner que plusieurs pièces d'épaisseur similaire.

S'il y a une différence d'épaisseur significative, les pièces les plus fines peuvent glisser de la bande d'entraînement si elles ne sont pas en contact avec les rouleaux de tension. Aussi, remarquez que les pièces plus épaisses de 20 mm doivent être plus longues que le minimum normalement recommandé pour éviter un basculement du matériau.

9.6.4 Ponçage de bord

En ponçage de bord, la ponceuse reproduira le bord opposé du matériau qui est couché sur la bande d'entraînement. De ce fait, il est important que le bord du matériau soit scié au bon angle avant de poncer. Si le bord du matériau à poncer est inférieur à 20 mm de large ou supérieur à 50 mm de haut, il est bon d'empiler et de fixer plusieurs pièces ensemble pour éviter qu'elles ne glissent ou basculent de la bande d'entraînement.

9.6.5 Ponçage imparfait du matériau

Si ponçage du matériau avec un profil voilé ou bombé, placez en haut le profil bombé. Cela stabilisera le matériau pour empêcher un basculement ou renversement pendant le ponçage. Une fois le profil bombé supprimé et que la face est bien plate, retournez le matériau et poncez le côté opposé. Pour éviter des blessures, faites attention lors du ponçage de bout en bout de matériau tordu, courbe ou autre dans l'épaisseur.

Si possible, soutenez ces matériaux lorsqu'ils sont poncés pour éviter qu'ils ne glissent ou basculent. Utilisez des supports de rouleau supplémentaires, demandez l'aide d'une autre personne ou appuyez avec la main sur le matériau pour minimiser les situations potentiellement dangereuses.

9.6.6 Portes à panneaux en relief et cadres de face

Il est très important d'avoir un contact correct avec l'abrasif lorsque vous effectuez ce type de ponçage. Si la machine est réglée pour effectuer une profondeur de passe excessive, le résultat peut être un sillon ou un creux car le cylindre à poncer va de la pleine largeur à une largeur plus petite sur les montants de cadre. Pour éviter cela, veillez à ce que l'abrasif soit plus fin que 80 grains, que le cylindre soit en contact avec le bois et qu'il puisse encore être tourné manuellement. S'il y a assez de place, le fait d'incliner le matériau sur la bande d'entraînement peut également aider. Le fait d'avancer lentement le convoyeur lorsqu'il va sur le matériau peut aider à empêcher les sillons ou creux. Cela permet à l'abrasif de poncer une largeur plus grande avec moins d'efforts et d'obtenir une meilleure uniformité de la surface finie.

9.6.7 Angle d'avance du matériau

Certaines pièces, de par leurs dimensions, doivent être placées sur la machine à un angle de 90° (perpendiculairement au cylindre). Cependant, même un léger angle de décalage du matériau pourra permettre une dépose de matériau plus efficace. L'angle d'entrée optimal pour la position du matériau est de 60° environ.

Le fait d'incliner la pièce à usiner donne d'autres avantages, tels qu'une charge moindre de certaines zones du cylindre due aux lignes de colle ou aux stries minérales dans le matériau, une usure plus régulière des bandes abrasives, des vitesses d'avance potentiellement plus rapides et des charges moindres sur le moteur.

Notez cependant que pour obtenir la meilleure finition, le matériau doit être avancé à travers la machine et il sera poncé en ligne avec le grain du bois à la fin en une ou deux passes.

10.0 Entretien par l'utilisateur



Avant d'effectuer l'entretien de la machine, débranchez-la de l'alimentation électrique (enlevez la prise), sauf mention contraire. Le non-respect de cette obligation peut causer de graves blessures.

10.1 Nettoyage et lubrification

Pour de meilleurs résultats, nettoyez régulièrement la ponceuse. La surabondance de poussière et de débris peut affecter négativement la performance par le chargement des abrasifs, le glissement sur la table du convoyeur et/ou l'accumulation de matériau à l'intérieur des cylindres pouvant déséquilibrer la machine.

Laissez le collecteur de poussière activé lors du dépoussiérage des cylindres. Brossez également la bande d'entraînement après les opérations de nettoyage. Si elle n'est pas nettoyée, la bande d'entraînement peut faire glisser le matériau pendant le ponçage.

REMARQUE : Les roulements sont prélubrifiés et ne requièrent d'entretien.

- Lubrifiez les bagues du convoyeur si nécessaire et vérifiez si usure.
- Lubrifiez la vis-mère (A, Figure 10-1) si nécessaire.
- Enlevez la sciure de la bande abrasive et brossez la poussière de la bande d'entraînement.
- Gardez les zones de glissement propres (B, Figure 10-1).
- Dépoussiérez les moteurs et interrupteurs. Dépoussiérez l'intérieur du cylindre, car cela peut provoquer des vibrations ou un décalage du centre d'équilibre.
- Vérifiez si toutes les vis de réglage des paliers, table du convoyeur et accouplements sont bien serrées.

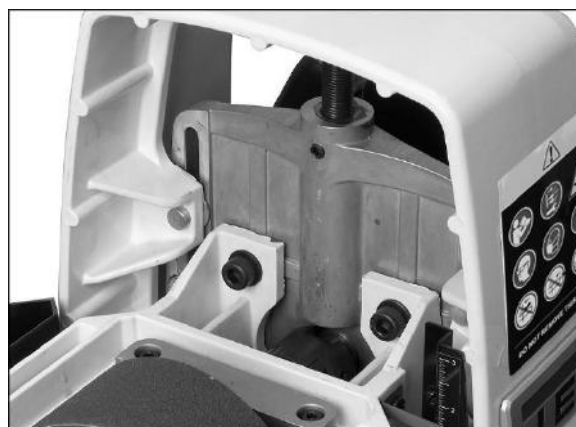


Figure 10-1

10.2 Entretien du cylindre

Le cylindre n'a pas besoin d'être déposé de la machine en circonstance normale. Si cela doit être nécessaire, le cylindre a été conçu pour une dépose et un remplacement facile.

Enlevez les quatre vis à six pans creux (C, Figure 10-2). Soulevez avec précaution le cylindre avec l'accouplement (D) fixé.

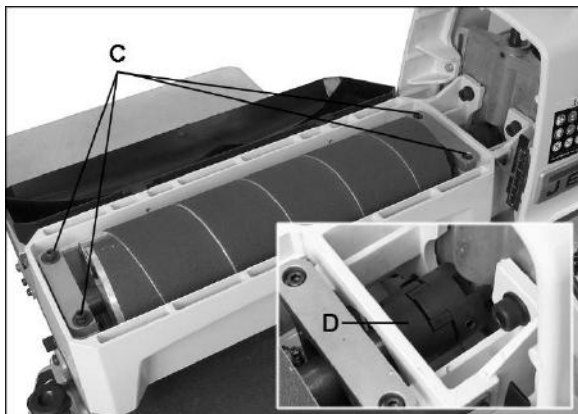


Figure 10-2: Dépose du cylindre

10.3 Remplacement de la bande d'entraînement

1. Débranchez la ponceuse de l'alimentation.
2. mettre le cylindre à sa plus haute position.
3. Tournez les vis de tension (Figure 8-2) des deux côtés du convoyeur pour relâcher la tension de la bande et faites glisser complètement vers l'intérieur le rouleau entraîné.
4. Enlevez les deux (2) vis fixant la table du convoyeur à la base.
5. Enlevez les deux (2) vis fixant la table du convoyeur au support d'alignement du cylindre (E, Figure 10-3).
6. Desserrez les deux blocages (F, Figure 10-3).
7. Soulevez la table du convoyeur et enlevez-la de la machine. Évitez de déchirer la bande à n'importe quel bord sous la table du convoyeur. Ne laissez pas tomber les aligneurs car ils peuvent se casser.
8. Réglez le convoyeur côté moteur et glissez la bande d'entraînement à l'extrémité de la table du convoyeur.
9. Installez une nouvelle bande le long des aligneurs (voir chap. 11.0) et réinstallez la table du convoyeur. Tendez et alignez la nouvelle bande.

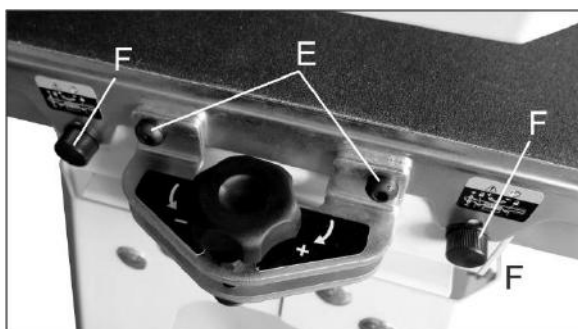


Figure 10-3

Remarque : Si la bande d'entraînement se déplace d'un côté de la machine, inversez la bande sur la table du convoyeur pour remédier à ce problème. Pour vous assurer que la table du convoyeur n'est pas tordue, placez un niveau sur la table du convoyeur.

Mettez la machine à niveau si nécessaire. Si le problème persiste, procédez avec les étapes ci-dessous :

Etape 1: Vérifiez le rouleau entraînant et le rouleau entraîné du convoyeur pour vous assurer qu'ils sont parallèles à la surface de la table du convoyeur. Pour effectuer cela, centrez d'abord la bande d'entraînement sur la table du convoyeur. Puis, posez une règle sur le bord exposé de la table du convoyeur à gauche (à l'extérieur), en l'étendant sur le rouleau. Notez la distance entre le rouleau et la règle.

Etape 2: Répétez maintenant l'étape 1 pour le côté droit du convoyeur (à l'intérieur). Comparez les mesures d'un côté à l'autre. Si elles sont inégales, desserrez l'un des supports maintenant le rouleau en place. Inclinez ce support jusqu'à ce que la distance entre le rouleau et la règle soit égale d'un côté à l'autre, puis serrez le support.

10.4 Inspection du balais de collecteur

Pour conserver l'efficacité du moteur, vérifiez les deux charbons tous les deux mois ou plus fréquemment si la ponceuse est utilisée de manière intensive. Le calage ou la perte d'alimentation peuvent être des symptômes de charbons usés. Si un charbon est usé, remplacez les deux charbons en même temps.

PRECAUTION

Une utilisation continue de charbons usés ou endommagés peut entraîner des dommages sur l'armature du moteur.

1. Débranchez la scie de la source d'alimentation.
2. Dévissez et enlevez le capuchon avec un tournevis à lame plate. Voir la Figure 10-4.
3. Soulevez doucement un bord du clip en laiton jusqu'à ce que le ressort le dégage du trou. (Notez l'orientation du balai lors de sa dépose ; il devra être inséré de la même manière ; la courbure du balai doit correspondre avec celle du moteur.) Retirez le balai et contrôlez. Le balai doit être remplacé en cas de découverte de l'un des éléments suivants :

- Le balai est usé sur plus de 13 mm de long environ.
- Signes d'effritement, de brûlures ou de rupture.
- L'extrémité du balai est rugueuse ou piquée.
- Coloration anormale du ressort
- Patte du ressort cassée
- Ressort écrasé

4. Installez un nouveau charbon (ou réinstallez le charbon actuel) et enfoncez-le doucement à fond dans le trou jusqu'à ce que le clip en laiton se fixe.
5. Installez le capuchon.
6. Répétez de manière identique pour l'autre charbon.

REMARQUE : Nous vous conseillons de faire fonctionner la ponceuse sans charge pendant plusieurs minutes pour que les nouveaux charbons s'insèrent correctement.

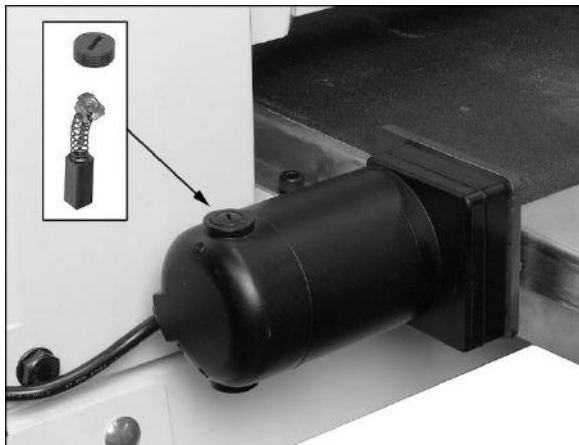


Figure 10-4

10.5 Entretien supplémentaire

Des entretiens supplémentaires doivent être effectués par un technicien de service autorisé.

11.0 Kit guides céramique

N° de pièce : PM2244-213

Les guides céramique réduisent considérablement les réglages de l'alignement des bandes d'entraînement. Ils sont déjà préinstallés sur votre ponçeuse. L'information suivante concerne le réglage ou le remplacement de vos guides.

1. Mettez hors tension la ponçeuse.
2. Levez le cylindre le plus haut possible.
3. Tournez les deux vis de tension du convoyeur pour relâcher la tension de la bande d'entraînement et faites glisser le rouleau entraîné vers l'intérieur.
4. Déposez les quatre boulons maintenant la table du convoyeur à la base de la ponçeuse.
5. Soulevez la table du convoyeur et faites-la glisser hors de la ponçeuse. Tournez la table du convoyeur à l'envers. Faites attention à ne pas endommager la bande d'entraînement.
6. Sur le dessous de la table du convoyeur, il y a des rainures en U soudées à la table. Le guide est positionné à l'intérieur de la première rainure en U côté entrée de la ponçeuse (Figure 11-1). Le dos du guide est aimanté et se colle contre la paroi de la table du convoyeur. N'installez pas le guide si le bord de la bande d'entraînement est endommagée ou déchirée.
7. Lorsque le premier guide est installé, glissez la bande d'entraînement dans la fente inférieure du guide.

Remarque : Lorsqu'il est correctement installé, seule la lèvre inférieure du guide est visible. La fente supérieure peut être utilisée si la fente inférieure est usée.
8. Installez le deuxième guide à l'opposé du premier. Utilisez les deux guides seulement si le deuxième ne s'adapte pas au convoyeur ou si la bande d'entraînement est endommagée.

9. Retournez à l'endroit la table du convoyeur et remplacez-la sur la ponçeuse. Refixez trois vis de fixation et serrez-les. Attention : Faites attention à ne pas cogner le(s) guide(s) hors de la table du convoyeur lorsque vous la retournez. Les aligneurs peuvent se casser s'ils tombent.
10. Assurez-vous que tous les interrupteurs sont désactivés. Connectez l'alimentation à la ponçeuse et le moteur.
11. La tension de la bande d'entraînement vient des vis de tension. Si les deux guides sont installés, il est très important qu'il y ait une tension égale des deux côtés de la bande d'entraînement. Tournez les vis de tension des deux côtés jusqu'à obtention d'une tension uniforme.
12. Pour vérifier la tension, activez le convoyeur à pleine vitesse et placez les deux mains sur le convoyeur. Si la bande d'entraînement peut être stoppée, poursuivez la tension jusqu'à ce que la bande d'entraînement ne puisse plus être stoppée par les deux mains, et ce à pleine vitesse.
13. Assurez-vous que la bande d'entraînement fonctionne sans à-coups dans la fente du guide et que l'aimant maintienne le guide en place.
14. Continuez à regarder l'alignement du convoyeur et réglez seulement si nécessaire, en vous assurant de maintenir une tension égale de la bande d'entraînement à tout moment et d'empêcher la bande d'entraînement de se tordre sous la table du convoyeur.

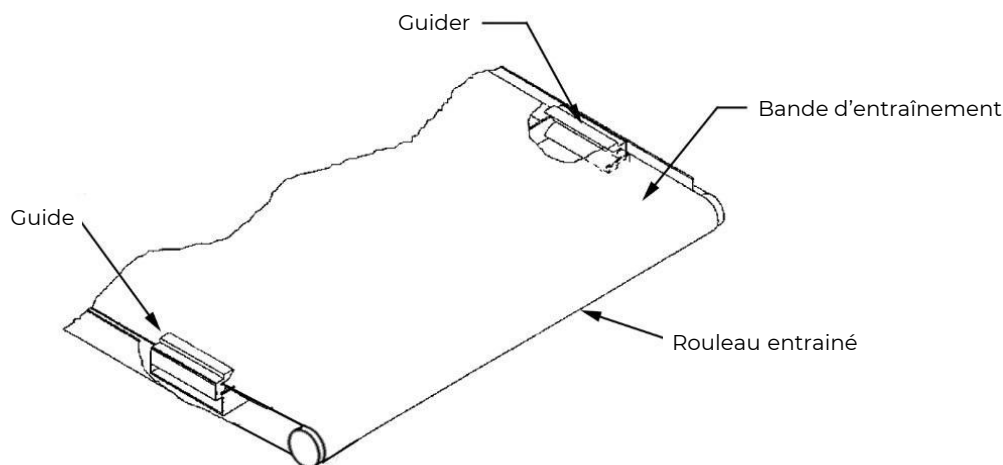


Figure 11-1: Présentation du dessous du convoyeur

12.0 Abrasifs

L'abrasif que vous avez choisi aura un effet important sur la performance de votre ponceuse. Les variations au niveau du type de papier, poids, revêtement et durabilité contribueront à la réalisation de la finition souhaitée.

12.1 Sélection des abrasifs du cylindre

Pour obtenir des résultats maximum, il est important de sélectionner un grain abrasif correct pour le type de ponçage à effectuer. Comme pour tout ponçage, commencez d'abord le ponçage avec un grain grossier, selon la rugosité du matériau ou de la quantité de matériau à enlever. Puis, travaillez progressivement avec des grains plus fins. Le tableau ci-dessous montre l'utilisation générale des différents grains.

La quantité de matériau à enlever est un élément important dans le choix de la grosseur du grain avec lequel vous commencez. Les grains 24, 36, 50 et 60 sont principalement désignés pour l'enlèvement de matière. Les grains 24 et 36 enlèveront le maximal de matière en une passe, si vous devez raboter, nettoyer des panneaux collés ou d'aplanir de la matière. Les grains 100 à 220 sont principalement des grains de finition conçus pour enlever les dessins de rayures des grains précédemment utilisés. Pour obtenir les meilleurs résultats, ne sautez jamais plus d'une grosseur de grain lorsque vous avancez dans la séquence de ponçage.

Pour un ponçage plus fin, comme par exemple des meubles, ne sautez pas de grain pendant le ponçage. En général, une excellente qualité d'abrasif réalisera une meilleure finition avec moins de dessins de rayures visibles.

Remarque : Les grains qui sont trop fin peuvent parfois brunir le bois et laisser une surface brillante empêchant un décapage uniforme. Cela peut varier en fonction du type de bois. Le chêne par exemple, est susceptible de brunir car il a des pores ouverts.

12.4 Guide de sélection d'abrasif

Grain	Application commune
24	Ponçage, surfaçage de bois fortement déformés, enlèvement maximal de matière, enlèvement de colle.
36	Ponçage, surfaçage de bois fortement déformés, enlèvement maximal de matière, enlèvement de colle.
50	Planches standard et de revêtement, planches voilées
60	Planches standard et de revêtement, planches voilées.
80	Dimensionnement léger, suppression d'ondulations au rabot.
100	Surfaçage léger.
120	Surfaçage léger, suppression minimale de matériau.
150	Ponçage léger, suppression minimale de matériau.
180	Ponçage de finition seulement, pas pour la suppression de matériau.
220	Ponçage de finition seulement, pas pour la suppression de matériau.

12.2 Nettoyage des bandes abrasives

Nettoyez régulièrement la bande abrasive du cylindre avec des bâtons de nettoyage vendus dans le commerce tout en suivant les instructions du fabricant. Lors du nettoyage, brossez également les résidus du bâton du cylindre pendant qu'il tourne. Dans certains cas, des zones fortement contaminées peuvent être nettoyées avec l'aide d'un bord en plexiglas avec le cylindre en rotation.



Portez toujours des lunettes de protection pendant que vous nettoyez l'abrasif et prenez toutes les précautions pour éviter le contact de vos mains ou vêtement avec le cylindre en rotation.

Les abrasifs sur support en tissu peuvent être nettoyés par trempage dans de l'essence minérale ou un diluant pour peintures entre 20 minutes et une heure; puis utilisez une brosse pour enlever toute accumulation.

Faites sécher complètement les bandes abrasives avant utilisation. Tout solvant utilisé doit être mis au rebut selon la réglementation environnementale en vigueur.

12.3 Augmentation de la durée de vie de l'abrasif

La durée de vie de l'abrasif peut être augmentée non seulement par le nettoyage mais aussi en l'enlevant du cylindre et en la retournant. Pour ce faire, enlevez la bande et utilisez ce qui était l'extrémité arrière comme extrémité avant côté gauche (extérieur) du cylindre. L'inversement de la bande vous donne un nouveau jeu de bords tranchants.

Tableau 2

13.0 Dépannage de la ponceuse à cylindre JWDS-1632

Symptôme	Cause possible	Correction *
Le moteur du cylindre ne veut pas démarrer alors que l'interrupteur est activé.	Pas de courant entrant.	Vérifiez les raccordements à la prise ou au panneau de circuit.
	Clé de sécurité manquante dans l'interrupteur.	Installez la clé de sécurité.
	Basse tension.	Vérifiez si tension correcte de la ligne de courant.
	Circuit ouvert dans le moteur ou connexion lâche.	Vérifiez tous les raccordements en plomb du moteur si ouverts ou lâches.
	Dysfonctionnement de l'interrupteur.	Remplacez l'interrupteur.
Le moteur du cylindre ne démarre pas : fusibles grillés ou disjoncteur déclenché.	Court-circuit du cordon de raccordement ou de la prise.	Vérifiez si isolation endommagée ou fils court-circuités du cordon de raccordement ou de la prise.
	Court-circuit dans le moteur ou connexions lâches.	Vérifiez si bornes court-circuitées ou lâches ou isolation usée de toutes les connexions du moteur.
	Fusible incorrect ou disjoncteur de la ligne de courant.	Installez le fusible correct ou le disjoncteur.
Moteur du cylindre en surchauffe.	Circulation de l'air à travers moteur restreinte.	Nettoyez le ventilateur du moteur avec de l'air comprimé pour rétablir une circulation d'air normale.
	Moteur surchargé (SandSmart ne fonctionne pas correctement).	Vérifiez et réparez les commandes.
Le moteur du cylindre cale, entraînant des fusibles grillés ou déclenchement du disjoncteur.	Court-circuit dans le moteur ou connexions lâches.	Vérifiez si bornes court-circuitées ou lâches ou isolation usée des connexions du moteur.
	Basse tension.	Corrigez l'état basse tension.
	Fusible incorrect ou disjoncteur de la ligne de courant.	Installez le fusible correct ou le disjoncteur.
Bruit répétitif, fort ou vibrations venant de la machine.	Fixations desserrées.	Vérifiez les fixations et resserrez si nécessaire.
	Le ventilateur du moteur cogne le couvercle.	Serrez le ventilateur ou calez le couvercle du ventilateur.
	Machine pas à niveau.	Placez la ponceuse sur un sol plan ; calez-la si nécessaire.
Le moteur du convoyeur cale.	Profondeur de coupe excessive.	Réduisez la profondeur de coupe ; utilisez un grain grossier ; réduisez la vitesse d'avance.
La courroie transporteuse ne bouge pas.	Le coupleur d'arbre est lâche ou détaché.	Réglez le coupleur de l'arbre.
Les rouleaux du convoyeur fonctionnent par intermittence.	L'accouplement de l'arbre est lâche.	Alignez les parties plates de l'arbre du moteur à engrenages et le rouleau entraînant et serrez les vis d'arrêt de l'accouplement du bras.
La courroie transporteuse glisse du rouleau entraînant.	Tension incorrecte de la courroie transporteuse.	Réglez la tension de la courroie.
	Profondeur de passe et/ou vitesse d'avance excessive.	Réduisez la profondeur de passe et/ou vitesse d'avance.
La bande abrasive se détache du cylindre.	Mou de la bande abrasive sur le cylindre.	Supprimez le mou de la bande.
	Abrasif mal enroulé.	Lire le chapitre concernant l'installation de l'abrasif et de son enroulement.
La bande abrasive est lâche.	La bande est coincée à l'intérieur du bord de la fente ou côté interne du cylindre.	Réajustez l'extrémité de la bande dans la fente et/ou taillez le bord de l'abrasif.
	La bande ne ponce pas proprement.	Recoupez et ré-installez la bande abrasive.
L'abrasif charge prématurément.	Profondeur de passe excessive.	Réduisez la profondeur de passe
	Vitesse d'avance excessive.	Réduisez la vitesse d'avance.
	Collecte de poussière inadaptée.	Augmentez le débit d'air au port de poussière.
	Abrasif inadapté.	Utilisez un abrasif à couche ouverte.
Ligne ou strie sur le matériau.	Vitesse d'avance irrégulière.	N'arrêtez ou ne changez pas la vitesse d'avance pendant l'alimentation en matériau.

Symptôme	Cause possible	Correction *
Rainures.	Tension incorrecte des rouleaux.	Retendez les rouleaux.
La ponceuse brûle le bois.	La bande abrasive se superpose.	Enroulez à nouveau la bande abrasive.
	L'abrasif est chargé.	Nettoyez l'abrasif.
	Profondeur de passe excessif pour grain fin.	Utilisez un grain grossier ou réduisez la profondeur de coupe.
	Vitesse d'avance trop lente.	Augmentez la vitesse d'avance.
	L'abrasif est usé.	Remplacez l'abrasif.
La plaque glisse de la courroie transporteuse.	Tension des rouleaux trop élevée.	Abaissez la tension des rouleaux.
	Vitesse d'avance excessive.	Réduisez la vitesse d'avance.
	Courroie transporteuse usée ou sale.	Remplacez la bande d'entraînement.
Ondulations sur la surface poncée. A. Ondulations non espacées uniformément. B. Ondulations espacées uniformément.	A. Vitesse d'avance irrégulière.	Glissement de la bande d'entraînement (voir ci-dessus) La plaque glisse de la bande d'entraînement. (voir ci-dessus) Le moteur du convoyeur cale. (voir ci-dessus)
	B. Vibration ou fléchissement de la table du convoyeur.	Réduisez la profondeur de passe et/ou vitesse d'avance. Vérifiez si boulons lâchers, vis de réglage lâche d'accouplement d'arbre ou déséquilibre du cylindre.
Le bois est sillonné.	Glissement du matériau du convoyeur.	Corrigez la profondeur de passe ou la tension du rouleau.
	La pièce à usiner n'est pas maintenue correctement.	Ajoutez des supports pour pièces longues.

* **AVERTISSEMENT** : Certaines corrections doivent être effectuées par un électricien qualifié.

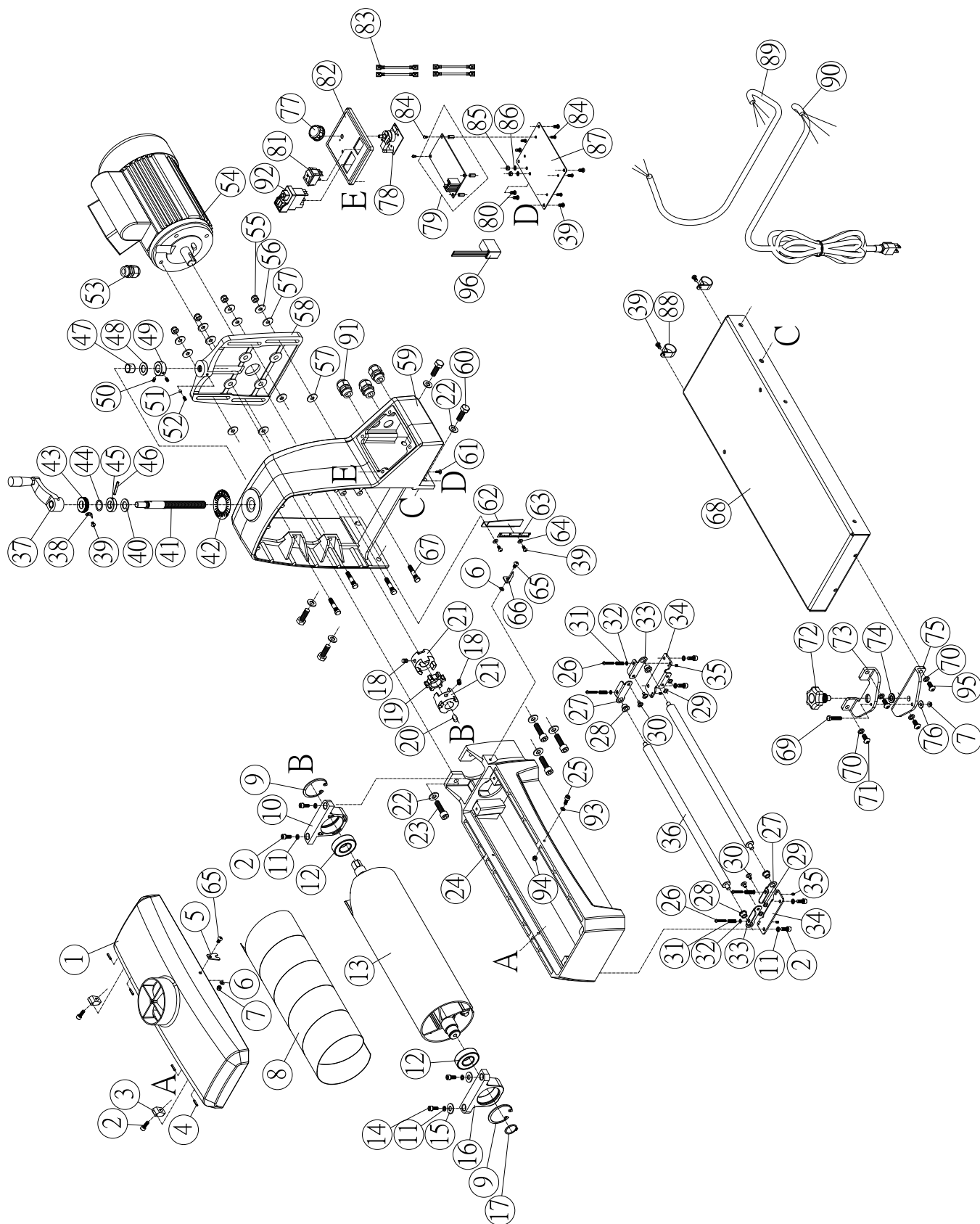
Tableau 3

14.0 Accessoires en option

98-0130 Roulettes verrouillables, jeu de 4
723521 Tables d'entrée/de sortie

EXPLOSION DRAWING / ERSATZTEILZEICHNUNG / VUE ÉCLATÉE

JWDS-1632



PART LIST / ERSATZTEILLISTE / LISTE DES PIÈCES DÉTACHÉES

JWDS-1632

Index No.	Part No.	Description	Size	Qty
1	JWDS1632-101	Dust Hood / Staubschutzhaube / Capot anti-poussière		1
2	TS-1503041	Socket Head Cap Screw / Zylinderschraube mit Innensechskant / Vis à tête creuse	M6 x 1.0P x 16L	9
3	JWDS1632-103	Drum Carriage Hinge / Scharnier des Trommelwagens / Charnière du chariot du tambour		2
4	40317-15	Spring Pin / Federstift / Goupille à ressort	3 x 14L	4
5	JWDS1632-105E	Locking Plate / Verriegelungsplatte / Plaque de verrouillage		1
6	F002636	Flat Washer, BO / Unterlegscheibe, BO / Rondelle plate, BO	6 x 12 x 1T	2
7	F001753	Nyloc Nut BO / Nyloc-Mutter BO / Écrou Nyloc BO	M6 x 1.0P	2
8	JWDS1632-108	Abrasive / Abrasivmittel / Abrasif		1
9	PM2244-114	Retainer Ring / Haltering / Anneau de retenue (Re:13A)	RTW-52	2
10	JWDS1632-110	Inboard Bearing Housing / Innenliegendes Lagergehäuse / Logement du palier intérieur (Re:13A)		1
11	TS-2361061	Lock Washer / Sicherungsscheibe / Rondelle de blocage	M6	9
12	PM2244-115	Ball Bearing / Kugellager / Roulement à billes (Re:13A)	6205VV	2
13	JWDS1632-113	Drum / Trommel / Tambour (Re:13A)		1
13A	JWDS1632-113A	Drum Assembly / Trommel Montage / Assemblage du tambour (includes #2,9-21)		
14	F005384	Socket Head Cap Screw / Zylinderschraube mit Innensechskant / Vis à tête creuse	M6 x 1.0P x 25L	2
15	JWDS1632-115	Flat Washer / Unterlegscheibe / Rondelle plate	6.5 x 19 x 3t	2
16	JWDS1632-116	Outboard Bearing Housing / Außenbord-Lagergehäuse / Boîtier de roulement extérieur (Re:13A)		1
17	PM2244-112	Retainer Ring / Haltering / Anneau de retenue (Re:13A)	STW-25	1
18	F010408	Socket Set Screw / Stellschraube mit Innensechskant / Vis à tête creuse	M8 x 1.25P x 10L	2
19	PM2244-139	Rubber Cushion / Gummikissen / Coussin en caoutchouc (Re:13A)		1
20	JWDS1632-120	Key / Schlüssel / Clé (Re:13A)	8 x 7 x 20L	2
21	PM2244-138	Coupling / Kupplung / Accouplement (Re:13A)		2
22	F002643	Flat Washer / Unterlegscheibe / Rondelle plate	10 x 20 x 2.0T	8
23	F005430	Socket Head Cap Screw / Zylinderschraube mit Innensechskant / Vis à tête creuse	M10 x 1.5P x 35L	4
24	JWDS1632-124	Drum Carriage / Trommel-Wagen / Chariot du tambour		1
25	JWDS1632-125E	Socket Head Cap Screw / Zylinderschraube mit Innensechskant / Vis à tête creuse	M5 x 0.5P x 30L	1
26	JWDS1632-126	Phillips Round Head Screw / Kreuzschlitzschraube mit rundem Kopf / Vis à tête ronde Phillips	M4 x 0.7P x 25L	4
27	PM2244-129	Left Tension Roller Suspension Bracket / Linke Spannrollenaufhängung / Support de suspension du rouleau tendeur gauche		2
28	PM2244-130	Oilite Bushing / Oilite-Buchse / Douille Oilite		4
30	PM2244-132	Shoulder Screw / Schulter schraube / Vis à épaulement		4
29	630049	Wave Washer / Wellenwaschanlage / Laveuse à vagues	WW-6	4
31	PM2244-125	Compression Spring / Druckfeder / Ressort de compression		4
32	TS-1550021	Flat Washer / Unterlegscheibe / Rondelle plate	4.2 x 8 x 0.8T	4
33	PM2244-131	Right Tension Roller Suspension Bracket / Rechte Spannrollenaufhängung / Support de suspension du rouleau tendeur droit		2
34	PM2244-128	Tension Roller Bracket / Spannrollenhalterung / Support du rouleau tendeur		2
35	JWDS1632-135	Socket Head Set Screw w/Loctite / Gewindestift mit Innensechskant und Loctite / Vis à tête creuse avec Loctite	M4 x 0.7P x 5L	4
36	JWDS1632-136	Tension Roller / Spannrolle / Rouleau tendeur		2

PART LIST / ERSATZTEILLISTE / LISTE DES PIÈCES DÉTACHÉES

JWDS-1632

Index No.	Part No.	Description	Size	Qty
37	JWDS1632-137	Crank Handle / Handkurbel / Manivelle		1
38	JWDS1632-138	Pointer / Zeiger / Pointeur		1
39	JWDS1632-139	Phillips Round Head Screw / Kreuzschlitzschraube mit rundem Kopf / Vis à tête ronde Phillips	M5 x 0.8P x 8L	9
40	JWDS1632-140	Oilite Washer / Oilite-Scheibe / Laveuse Oilite		1
41	JWDS1632-141	Height Adjusting Screw / Höhenverstellungsschraube / Vis de réglage de la hauteur		1
42	JWDS1632-142	Incremental Depth Scale / Inkrementelle Tiefenskala / Échelle de profondeur incrémentale		1
43	JWDS1632-143	Dial / Wählen Sie / Cadran		1
44	JWDS1632-144	O-Ring / O-Ring / O-Ring	P11	1
45	JWDS1632-145	Collar / Kragen / Collier		1
46	JWDS1632-146	Spring Pin / Federstift / Goupille à ressort	4 x 30L	1
47	JWDS1632-147	Oilite Bushing / Oilite-Buchse / Douille Oilite		1
48	JWDS1632-148	Nylon Washer / Nylon Unterlegscheibe / Rondelle en nylon		1
49	JWDS1632-149	Collar / Kragen / Collier		1
50	TS-1523031	Socket Head Set Screw / Gewindestift mit Innensechskant / Vis à tête creuse	M6 x 1.0P x 10L	2
51	PM2244-184	PU Block / PU-Block / Bloc de PU		1
52	5302731	Socket Head Set Screw / Gewindestift mit Innensechskant / Vis à tête creuse	M8 x 1.25P x 6L	1
53	JWDS1632-153E	Strain Relief / Zugentlastung / Soulagement de la tension	PG 13.5	1
54	JWDS1632-154E	Motor / Motor / Moteur	1.5HP, 230V, 50Hz	1
	JWDS1632-154SC	Starting Capacitor / Anlaufkondensator / Condensateur de démarrage (not shown / nicht gezeigt / non illustré)		1
	JWDS1632-154SCC	Starting Capacitor Cover / Abdeckung des Anlaufkondensators / Couvercle du condensateur de démarrage (not shown / nicht gezeigt / non illustré)		1
	JWDS1632-154FC	Fan Cover / Ventilatorabdeckung / Couvercle du ventilateur (not shown / nicht gezeigt / non illustré)		1
	JWDS1632-154CF	Cooling Fan / Kühlgebläse / Ventilateur de refroidissement (not shown / nicht gezeigt / non illustré)		1
55	TS-1541031	Nyloc Nut / Nyloc-Mutter / Écrou Nyloc	M8 x 1.25P	4
56	TS-1550061	Flat Washer / Unterlegscheibe / Rondelle plate	8.2 x 23 x 2T	4
57	JWDS1632-157	Oilite Washer / Oilite-Scheibe / Laveuse Oilite		8
58	JWDS1632-158	Motor Plate / Motorplatte / Plaque moteur		1
59	JWDS1632-159	Motor Shroud / Motorabdeckung / Chemise de moteur		1
60	TS-1491041	Hex Cap Screw / Sechskantschraube / Vis à tête hexagonale	M10 x 1.5P x 30L	4
61	JWDS1632-161	Self Tapping Screw / Selbstschneidende Schraube / Vis autotaraudeuse	M4 x 15L	4
62	JWDS1632-162	Depth Scale Bracket / Halterung für Tiefenskala / Support pour échelle de profondeur (includes #63)		1
63	JWDS1632-163	Depth Scale / Tiefenskala / Échelle de profondeur		1
64	TS-1550031	Flat Washer / Unterlegscheibe / Rondelle plate	5.1 x 12 x 1T	2
65	TS-1534032	Phillips Pan Hd Machine Screw / Phillips Pan Hd Maschinenschraube / Vis à tête cylindrique Phillips	M6 x 1.0P x 10L	1
66	JWDS1632-166	Pointer / Zeiger / Pointeur		1
67	JWDS1632-167	Stud / Bolzen / Étalon		4
68	JWDS1632-168	Base / Basis / Base		1
69	TS-1482061	Hex Cap Screw / Sechskantschraube / Vis à tête hexagonale	M6 x 1.0P x 30L	1
70	TS-2361081	Lock Washer / Sicherungsscheibe / Rondelle de blocage	M8	4
71	TS-2248162	Socket Head Button Screw / Zylinderkopfschraube mit Innensechskant / Vis à tête creuse et à bouton	M8 x 1.25 x 16L	2

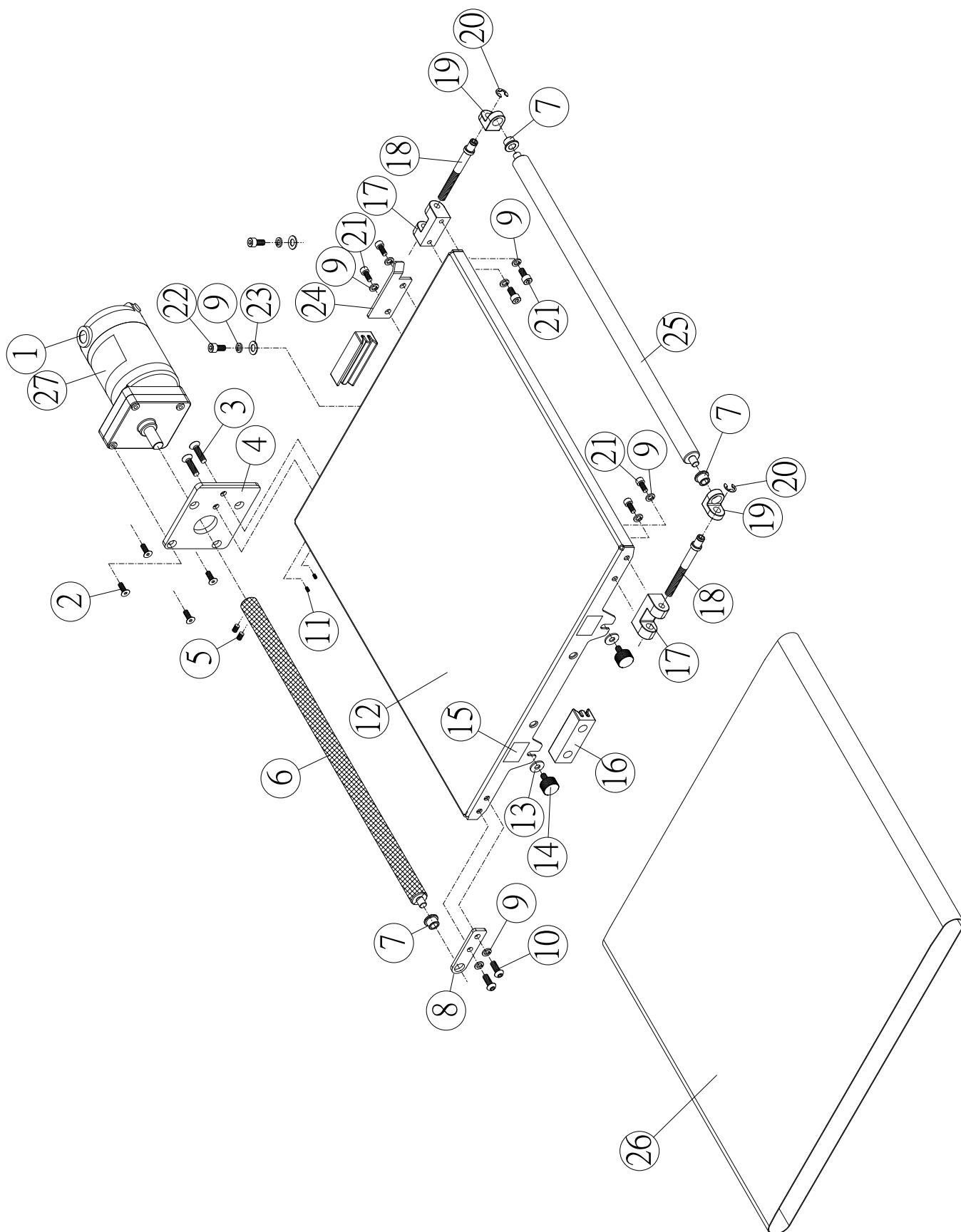
PART LIST / ERSATZTEILLISTE / LISTE DES PIÈCES DÉTACHÉES

JWDS-1632

Index No.	Part No.	Description	Size	Qty
72	JWDS1632-172	Knob / Knopf / Bouton		1
73	JWDS1632-173	Parallel Adjust Moving Bracket / Parallele Einstellung der beweglichen Halterung / Ajustement parallèle Support mobile		1
74	JWDS1632-174	Oilite Washer / Oilite-Scheibe / Laveuse Oilite		1
75	JWDS1632-175	Parallel Adjust Fixed Bracket / Parallel einstellbarer fester Bügel / Support fixe à réglage parallèle		1
76	TS-1550041	Flat Washer / Unterlegscheibe / Rondelle plate	6.5 x 19 x 2T	1
77	PM2244-196	Knob / Knopf / Bouton		1
78	JWDS1632-178	Potentiometer / Potentiometer / Potentiomètre		1
79	JWDS1632-179EA	Circuit Board / Leiterplatte / Circuit imprimé		1
80	TS-1533042	Phillips Pan Hd Machine Screw / Phillips Pan Hd Maschinenschraube / Vis à tête cylindrique Phillips	M5 x 0.8P x 12L	2
81	JWDS1632-181E	On/Off Switch / Ein/Aus-Schalter / Interrupteur marche/arrêt		1
82	JWDS1632-182E	Control Panel / Bedienfeld / Panneau de contrôle		1
83	JWDS1632-183	Internal Connection Cable / Internes Verbindungskabel / Câble de connexion interne		1
84	TS-1531012	Phillips Pan Hd Machine Screw / Phillips Pan Hd Maschinenschraube / Vis à tête cylindrique Phillips	M3 x 0.5P x 5L	8
85	TS-1540031	Hex Nut / Rondellplatte / Assiette ronde	M5 x 0.8P	2
86	F002097	Lock Washer, Ext. Tooth / Sicherungsscheibe, Ext. Zahn / Rondelle-frein, dent ext.	M5	2
87	JWDS1632-187	Circuit Board Holder / Halterung für Leiterplatten / Support de carte de circuit imprimé		1
88	JWDS1632-188E	Cable Management / Kabelmanagement / Gestion des câbles	ACC-5-B	2
89	JWDS1632-189E	Motor Cable / Motorkabel / Câble du moteur		1
90	JWDS1632-190E	Power Cable / Stromkabel / Câble d'alimentation		1
91	JWDS1632-191E	Strain Relief / Zugentlastung / Soulagement de la tension	M20	2
92	JWDS1632-192E	Power Switch / Netzschalter / Interrupteur d'alimentation		1
93	TS-1550031	Flat Washer / Unterlegscheibe / Rondelle plate	5 x 12 x 1T	1
94	TS-1541011	Nyloc Nut / Nyloc-Mutter / Écrou Nyloc	M5 x 0.8P	1
95	TS-2248202	Socket Head Button Screw / Zylinderkopfschraube mit Innensechskant / Vis à tête creuse et à bouton	M8 x 1.25 x 20L	2
96	JWDS1632-196E	EMC Filter / EMV-Filter / Filtre CEM		1
	JET-44T	Logo / Logo / Logo (not shown / nicht gezeigt / non illustré)	4" x 4"	1
	JWDS1632-195E	Motor Label / Motoraufkleber / Étiquette du moteur (not shown / nicht gezeigt / non illustré)		1
	JWDS1632-199E	Control Panel Label / Bedienfeld-Etikett / Étiquette du panneau de contrôle (not shown / nicht gezeigt / non illustré)		1
	JWDS1632-197E	Left Parallel Adjust Label / Etikett für linke Paralleleinstellung / Étiquette de réglage du parallélisme gauche (not shown / nicht gezeigt / non illustré)		1
	JWDS1632-198E	Right Parallel Adjust Label / Etikett für die rechte Paralleleinstellung / Étiquette de réglage du parallélisme à droite (not shown / nicht gezeigt / non illustré)		1
	LM000237E	ID Label / ID-Etikett / Étiquette d'identification, JWDS-1632 (not shown / nicht gezeigt / non illustré)		1
	LM000238E	Warning Label / Warnhinweis / Étiquette d'avertissement (not shown / nicht gezeigt / non illustré)		1

EXPLOSION DRAWING / ERSATZTEILZEICHNUNG / VUE ÉCLATÉE

JWDS-1632



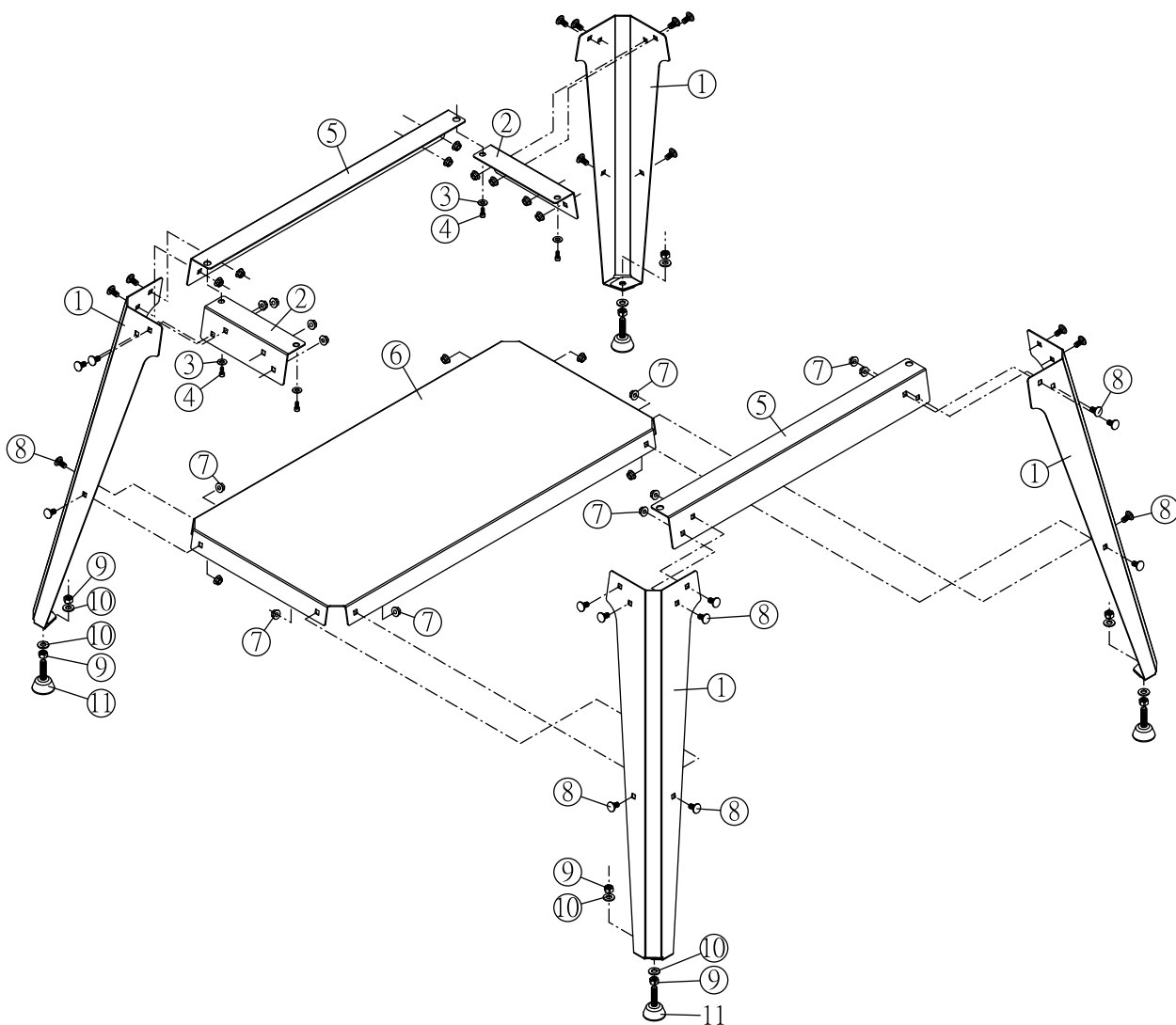
PART LIST / ERSATZTEILLISTE / LISTE DES PIÈCES DÉTACHÉES

JWDS-1632

Index No.	Part No.	Description	Size	Qty
1	JWDS1632-201E	Belt Motor / Riemenmotor / Moteur à courroie		1
	JWDS1632-201-1	Brush Carbon / Bürstenkohle / Brosse en carbone (not shown / nicht gezeigt / non illustré)		1
2	F010839	Socket Head Flat Screw / Flachkopfschraube mit Innensechskant / Vis plate à tête creuse	#10-32 x 1/2"L	4
3	F010985	Socket Head Flat Screw / Flachkopfschraube mit Innensechskant / Vis plate à tête creuse	M6 x 1.0P x 35L	2
4	JWDS1632-204	Belt Motor Plate / Riemen Motorplatte / Plaque moteur à courroie		1
5	TS-1522011	Socket Head Set Screw / Gewindestift mit Innensechskant / Vis à tête creuse	M5 x 0.8P x 5L	2
6	JWDS1632-206	Drive Roller / Antriebsrolle / Rouleau d'entraînement		1
7	PM2244-130	Oilite Bushing / Oilite-Buchse / Douille Oilite		3
8	JWDS1632-208	Drive Roller Bracket / Antriebsrollenhalterung / Support du rouleau d'entraînement		1
9	TS-2361061	Lock Washer / Sicherungsscheibe / Rondelle de blocage	M6	8
10	TS-2246162	Socket Head Button Screw / Zylinderschraube mit Innensechskant / Vis à tête creuse et à bouton	M6 x 1.0P x 16L	2
11	TS-1521021	Socket Head Set Screw / Gewindestift mit Innensechskant / Vis à tête creuse	M4 x 0.7P x 5L	2
12	JWDS1632-212	Conveyor Table / Förderbandtisch / Table de convoyage		1
13	TS-1550041	Flat Washer / Unterlegscheibe / Rondelle plate	6.4 x 19 x 1.5T	2
14	JWDS1632-214	Table Lock Knob / Tischschlossknopf / Bouton de verrouillage de la table		2
15	LM000236	Caution Label - Table Lock / Vorsichtsetikett - Tischschloss / Étiquette d'avertissement - Verrouillage de la table		2
16	PM2244-213	Tracker Kit / Tracker-Kit / Kit de suivi (set of 2)		2
17	JWDS1632-217	Bracket / Halterung / Support		2
18	JWDS1632-218	Adjusting Rod / Verstellstange / Tige de réglage		2
19	JWDS1632-219	Driven Roller Bracket / Angetriebene Rollenhalterung / Support de rouleau entraîné		2
20	JWDS1632-220	Retaining Ring / Sicherungsring / Anneau de retenue	ETW-7	2
21	TS-1503031	Socket Head Cap Screw / Zylinderschraube mit Innensechskant / Vis à tête creuse	M6 x 1.0P x 12L	6
22	TS-1503041	Socket Head Cap Screw / Zylinderschraube mit Innensechskant / Vis à tête creuse	M6 x 1.0P x 16L	2
23	TS-0680021	Flat Washer / Unterlegscheibe / Rondelle plate	1/4" x 16 x 2T	2
24	JWDS1632-224	Guide Plate / Leitblech / Plaque de guidage		1
25	JWDS1632-225	Driven Roller / Angetriebene Rolle / Rouleau entraîné		1
26	JWDS1632-226	Conveyor Belt / Förderband / Bande transporteuse		1
27	JWDS1632-227E	Belt Motor Label / Etikett Riemenmotor / Étiquette du moteur de la courroie		1

EXPLOSION DRAWING / ERSATZTEILZEICHNUNG / VUE ÉCLATÉE

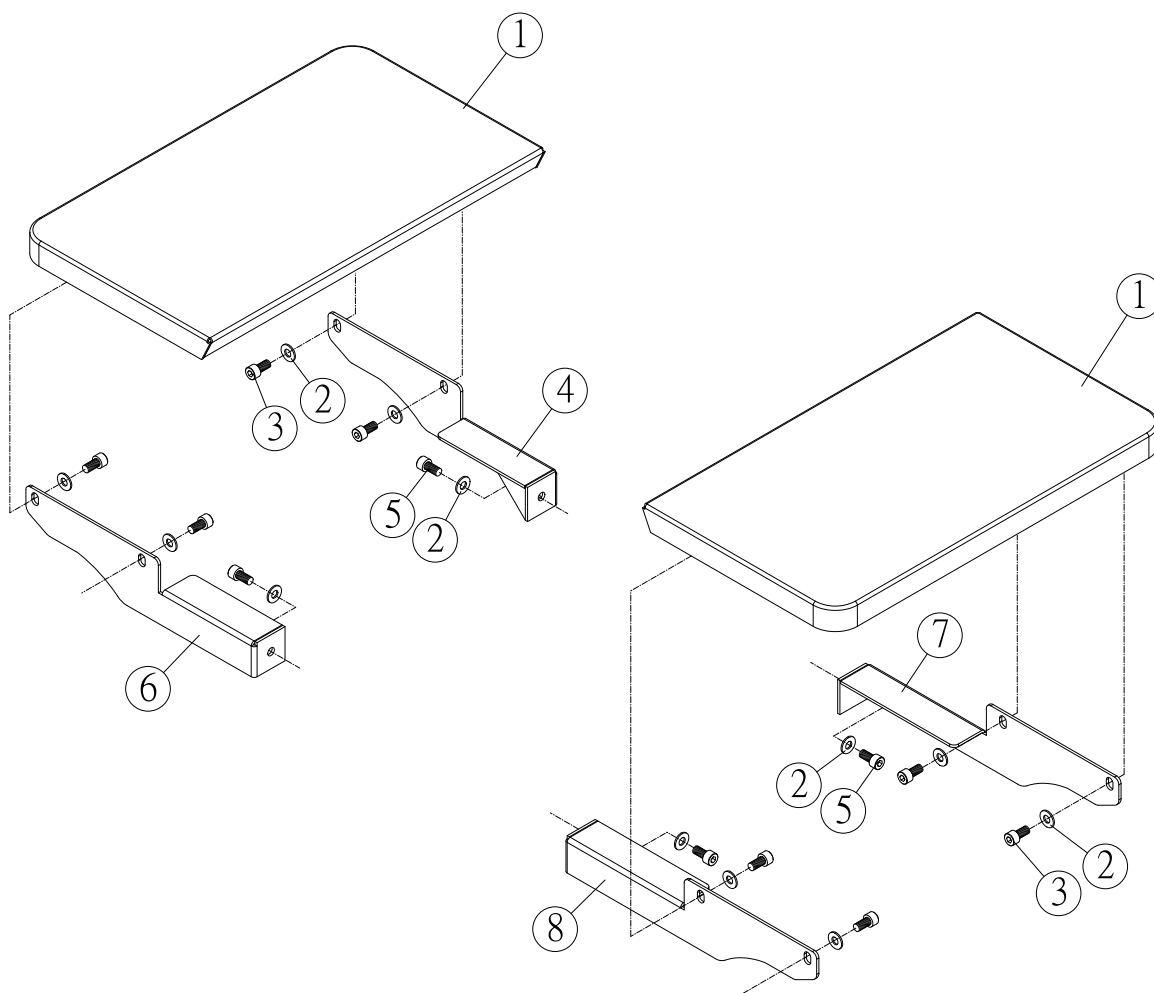
JWDS-1632



Index No.	Part No.	Description	Size	Qty
	723520S	Open Stand Assembly / Montage des offenen Ständers / Assemblage du support ouvert (includes #1-11)		1
1	JWDS1632-301	Leg / Bein / Jambes		4
2	JWDS1632-302	Short Rail / Kurze Schiene / Rail court		2
3	TS-1550061	Flat Washer / Unterlegscheibe / Rondelle plate	8.3 x 18 x 1.5T	4
4	TS-1504031	Socket Head Cap Screw / Zylinderschraube mit Innensechskant / Vis à tête creuse	M8 x 1.25P x 16L	4
5	JWDS1632-305	Long Rail / Lange Schiene / Rail long		2
6	JWDS1632-306B	Shelf (Black) / Regal (Schwarz) / Étagère (noire)		1
7	JWDS1632-307	Flange Lock Nut / Flansch Kontermutter / Contre-écrou de bride	M8 x 1.25P	24
8	JWDS1632-308	Carriage Bolt / Schlittenbolzen / Boulon de carrosserie	M8 x 1.25P x 16L	24
9	TS-1540071	Hex Nut / Rondellplatte / Assiette ronde	M10 x 1.5P	8
10	TS-1550071	Flat Washer / Unterlegscheibe / Rondelle plate	10 x 20 x 2.0T	8
11	JWDS1632-311	Leveling Foot / Nivellierfuß / Pied de réglage		4

EXPLOSION DRAWING / ERSATZTEILZEICHNUNG / VUE ÉCLATÉE

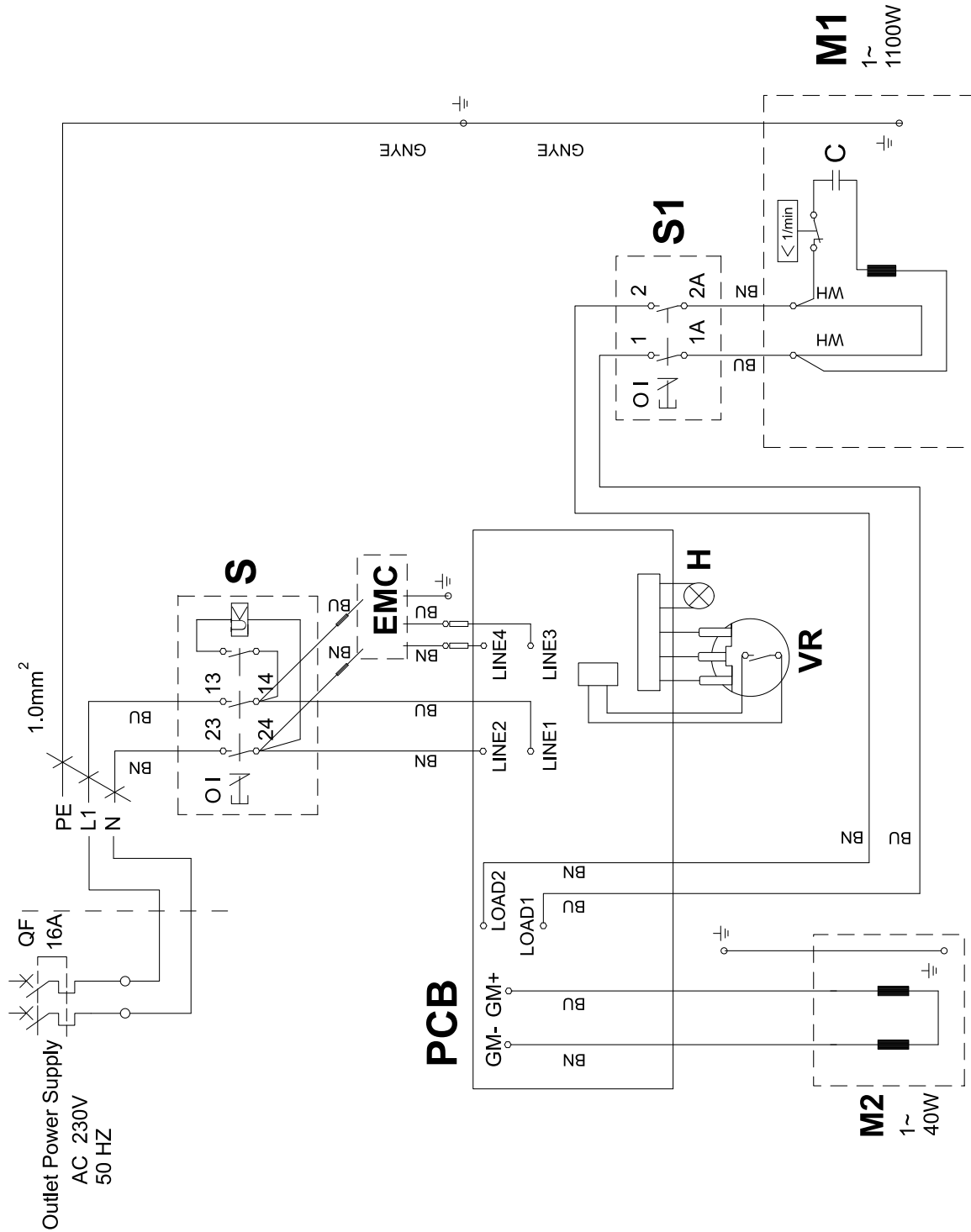
JWDS-1632



Index No.	Part No.	Description	Size	Qty
	723521	Infeed/Outfeed Tables / Zu-/Ablauftische / Tables d'alimentation et de sortie (includes #1-8)		
1	JWDS1632-401	Extension Table / Ausziehtisch / Table à rallonge		2
2	TS-1550061	Flat Washer / Unterlegscheibe / Rondelle plate	8.3 x 18 x 1.5T	12
3	TS-1504031	Socket Head Cap Screw / Zylinderschraube mit Innensechskant / Vis à tête creuse	M8 x 1.25P x 16L	4
4	JWDS1632-404	Rear-Right Table Bracket / Tischhalterung hinten rechts / Support de table arrière-droite		1
5	TS-1504021	Socket Head Cap Screw / Zylinderschraube mit Innensechskant / Vis à tête creuse	M8 x 1.25P x 12L	8
6	JWDS1632-405	Rear-Left Table Bracket / Hintere linke Tischhalterung / Support de table arrière gauche		1
7	JWDS1632-406	Front-Right Table Bracket / Front-Rechts-Tischhalterung / Support de table avant-droit		1
8	JWDS1632-407	Front-Left Table Bracket / Vordere linke Tischhalterung / Support de table avant gauche		1

ELECTRICAL DIAGRAM / ELEKTRISCHE ANLAGE / SCHÉMA ÉLECTRIQUE

JWDS-1632-M.....723520KM.....1~230V, 50Hz



	colour of strands	Litzenfarben	couleur des cordons
BK	black	schwarz	noir
WH	white	weiß	blanc
BU	blue	blau	bleu
YE	yellow	gelb	jaune
RD	red	rot	rouge
BN	brown	braun	brun
GY	grey	grau	gris
GNYE	green-yellow	grün-gelb	vert-jaune
OG	orange	orange	orange
VT	violet	violett	violet

	meaning of symbol	Bedeutung der Zeichen	interprétation
M1	motor	Motor	moteur
M2	motor	Motor	moteur
S	switch	Schalter	interrupteur
S1	switch	Schalter	interrupteur
C	condenser	Kondensator	condensateur
VR	potentiometer	Potentiometer	potentiomètre
EMC	filter	Filter	filtre
PCB	circuit board	Leiterplatte	carte circuit
H	indication light	Anzeigelicht	La lumière d'indication



ENVIRONMENTAL PROTECTION

Protect the environment.

Your appliance contains valuable materials which can be recovered or recycled. Please leave it at a specialized institution.



This symbol indicates separate collection for electrical and electronic equipment required under the WEEE Directive (Directive 2012/19/EC) and is effective only within the European Union.

UMWELTSCHUTZ

Schützen Sie die Umwelt!

Ihr Gerät enthält mehrere unterschiedliche, wiederverwertbare Werkstoffe.

Bitte entsorgen Sie es nur an einer spezialisierten Entsorgungsstelle.



Dieses Symbol verweist auf die getrennte Sammlung von Elektro- und Elektronikgeräten, gemäß Forderung der WEEE-Richtlinie (2012/19/EU). Diese Richtlinie ist nur innerhalb der Europäischen Union wirksam.

PROTECTION DE L'ENVIRONNEMENT

Protégez l'environnement !

Votre appareil comprend plusieurs matières premières différentes et recyclables. Pour éliminer l'appareil usagé, veuillez l'apporter dans un centre spécialisé de recyclage des appareils électriques.



Ce symbole indique une collecte séparée des équipements électriques et électroniques conformément à la directive DEEE (2012/19/UE). Cette directive n'est efficace que dans l'Union européenne.



WARRANTY / GARANTIE

TOOL FRANCE guarantees that the supplied product(s) is/are free from material defects and manufacturing faults.

This warranty does not cover any defects which are caused, either directly or indirectly, by incorrect use, carelessness, damage due to accidents, repairs or inadequate maintenance or cleaning as well as normal wear and tear.

Further details on warranty (e.g. warranty period) can be found in the General Terms and Conditions (GTC) that are an integral part of the contract.

These GTC may be viewed on the website of your dealer or sent to you upon request.

TOOL FRANCE reserves the right to make changes to the product and accessories at any time.

TOOL FRANCE garantiert, dass das/die von ihr gelieferte/n Produkt/e frei von Material- und Herstellungsfehlern ist.

Diese Garantie deckt keinerlei Mängel, Schäden und Fehler ab, die - direkt oder indirekt - durch falsche oder nicht sachgemäße Verwendung, Fahrlässigkeit, Unfallschäden, Reparaturen oder unzureichende Wartungs- oder Reinigungsarbeiten sowie durch natürliche Abnutzung durch den Gebrauch verursacht werden.

Weitere Einzelheiten zur Garan können den allgemeinen Geschäftsbedingungen (AGB) entnommen werden.

Diese können Ihnen auf Wunsch per Post oder Mail zugesendet werden.

TOOL FRANCE behält sich das Recht vor, jederzeit Änderungen am Produkt und am Zubehör vorzunehmen.

TOOL FRANCE garantit que le/les produit(s) fourni(s) est/sont exempt(s) de défauts matériels et de défauts de fabrication.

Cette garantie ne couvre pas les défauts, dommages et défaillances causés, directement ou indirectement, par l'utilisation incorrecte ou inadéquate, la négligence, les dommages accidentels, la réparation, la maintenance ou le nettoyage incorrects et l'usure normale.

Vous pouvez trouver de plus amples détails sur la garantie dans les conditions générales (CG).

Les CG peuvent être envoyées sur demande par poste ou par e-mail.

TOOL FRANCE se réserve le droit d'effectuer des changements sur le produit et les accessoires à tout moment.

UK DECLARATION OF CONFORMITY

Edition March 2024

Product:

DRUM SANDER

Model:

JWDS-1632

Brand:

JET

Manufacturer or authorized representative:

TOOL FRANCE

Unit 1a Stepnell Park

Off Lawford Road

Rugby

CV212UX

United Kingdom

We hereby declare that this product complies with the regulations:

SUPPLY OF MACHINERY (SAFETY) REGULATIONS 2008
ELECTROMAGNETIC COMPATIBILITY REGULATIONS 2016

Designed in consideration of the standards:

EN ISO 12100:2010

EN 60204-1:2006+A1:2009

EN 61000-6-2:2005

EN 61000-6-4:2007+A1:2011

Responsible for the documentation / Dokumentations-Verantwortung / Responsable de la documentation :



JÉRÔME GERMAIN

GENERAL MANAGER

DIRECTEUR GÉNÉRAL

N° de série / serial number :

At lisses / Hergestellt in / Fait à Lisses

Date :

**CE-CONFORMITY DECLARATION
CE-KONFORMITÄTSERKLÄRUNG
DÉCLARATION DE CONFORMITÉ CE**

Edition March 2024

Product/Produkt/Produit:

Drum sander / Zylinderschleifmaschine / Ponceuse à cylindre

JWDS-1632

Brand/Marke/Marque:

JET

Manufacturer or authorized representative/Hersteller oder Bevollmächtigter/Fabricant ou son mandataire:

TOOL FRANCE

9 Rue des Pyrénées, 91090 LISSES, France

We hereby declare that this product complies with the regulations
Wir erklären hiermit, dass dieses Produkt der folgenden Richtlinie entspricht
Par la présente, nous déclarons que ce produit correspond aux directives suivantes

2006/42/EC

Machinery Directive / Maschinenrichtlinie / Directive Machines

2014/30/EU

electromagnetic compatibility / elektromagnetische Verträglichkeit / compatibilité électromagnétique

designed in consideration of the standards
und entsprechend folgender zusätzlicher Normen entwickelt wurde
et été développé dans le respect des normes complémentaires suivantes

EN ISO 12100:2010

EN 60204-1:2006+A1:2009

EN 61000-6-2:2005

EN 61000-6-4:2007+A1:2011

Original instruction manual / Original-Bedienungsanleitung / Notice d'instruction Originale
Responsible for the documentation / Dokumentations-Verantwortung / Responsable de la documentation :



JÉRÔME GERMAIN
GENERAL MANAGER
DIRECTEUR GÉNÉRAL

N° de série / serial number :

At lisses / Hergestellt in / Fait à Lisses

Date :